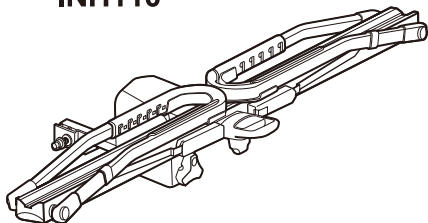


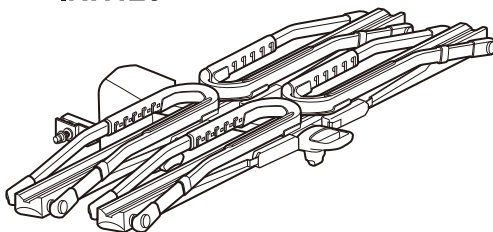
ino. INH110 Installation instructions

ADVANCED CAR BACKS

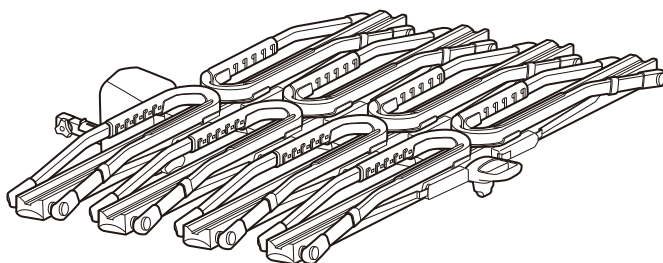
INH110





INH120

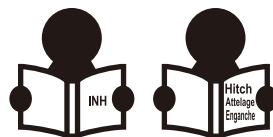


INH142



Please be sure to follow the following matters for safe usage of this product.

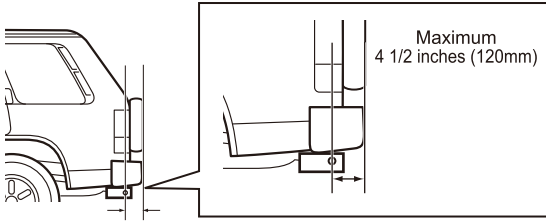
-  **Warning** Failure to follow this warning can result in serious accidents including death or serious injury.
-  **Precautions** Failure to follow precautions can result in injury, damage to the product, vehicle, or load.



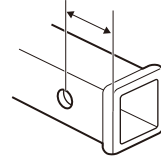
Loading Condition

Warning

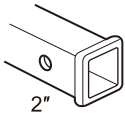
Possible installation size



Minimum
2 inches (50mm)

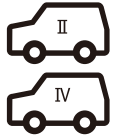


INH110

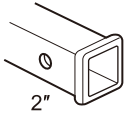


Max 60lbs.(27kg)

Class



INH120



Max 60lbs.(27kg)

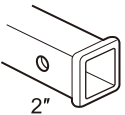


Max 120lbs.(54kg)

Class



INH142

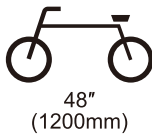


Max 60lbs.(27kg)



Max 160lbs.(72.5kg)

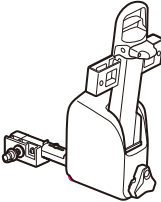
Class



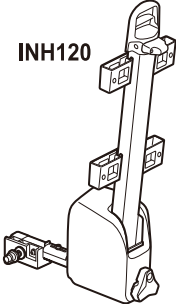
Product contents

①

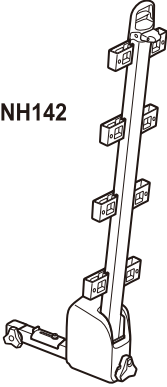
INH110




INH120



INH142




②




③

B=5




④

B=6




⑤




⑥

INH ###

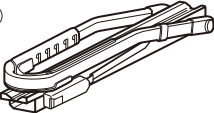


⑦

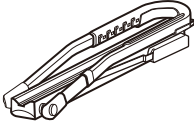
HITCH




⑧



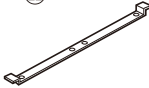
⑨



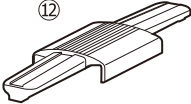
⑩



⑪



⑫



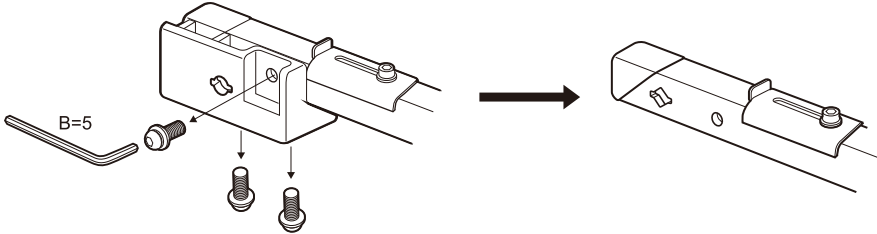
No.	INH110	INH120	INH142
①	1	1	1
②	1	1	1
③	1	1	1
④	1	1	1
⑤	2	2	2
⑥	1	1	1
⑦	1	1	1
⑧	1	2	4
⑨	1	2	4
⑩	6	12	24
⑪	1	2	4
⑫	1	2	4

Preparation before installation

1

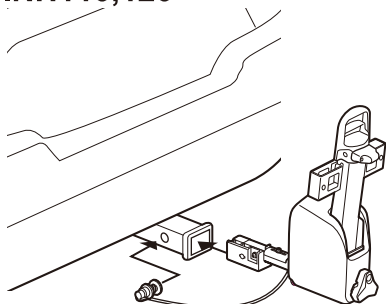
INH110,120

When the receiver size is 1 1/4 inches.

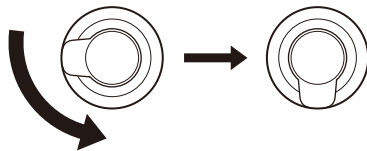


Installation to vehicle

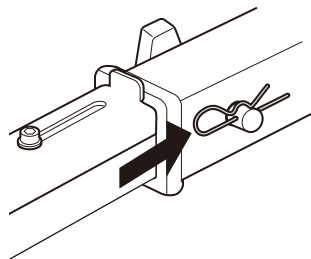
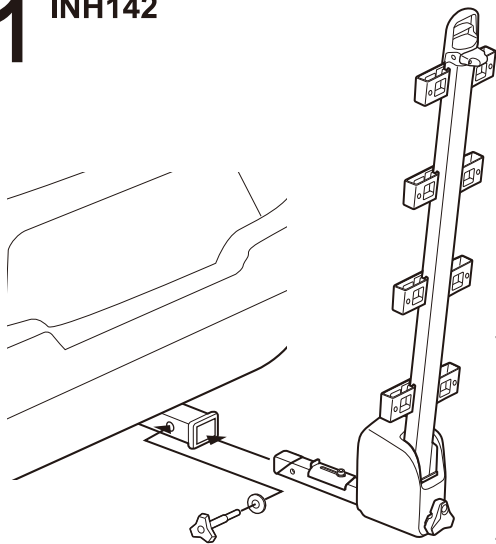
1 INH110,120



Warning Be sure to use safety pin.

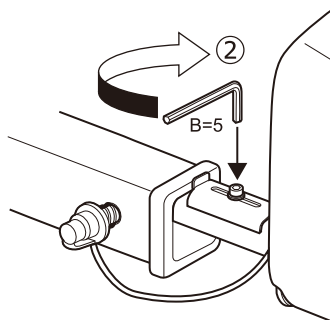
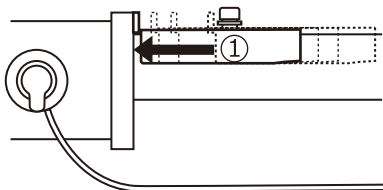


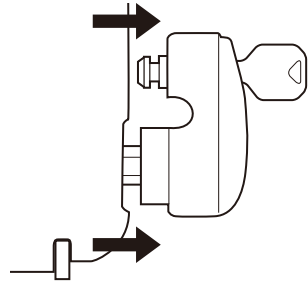
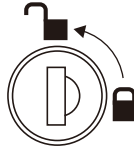
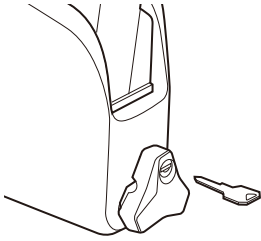
1 INH142




Warning Be sure to use safety bolt and snap pin.

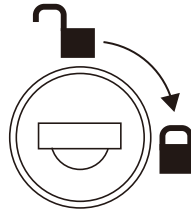
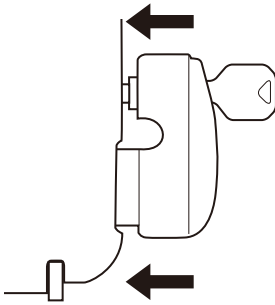
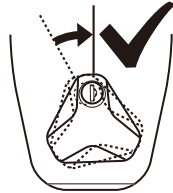
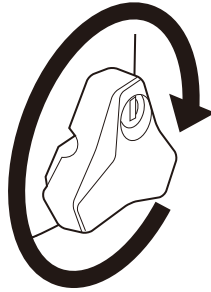
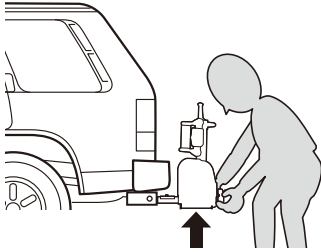
2






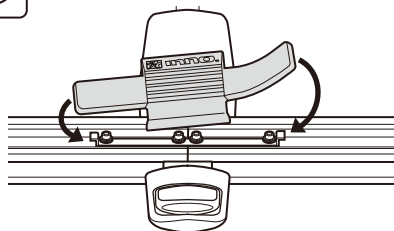
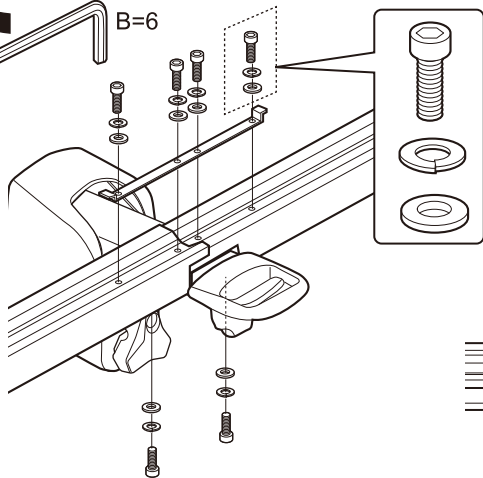
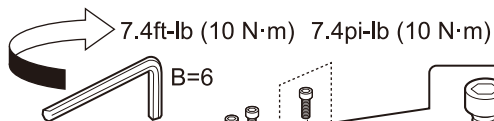
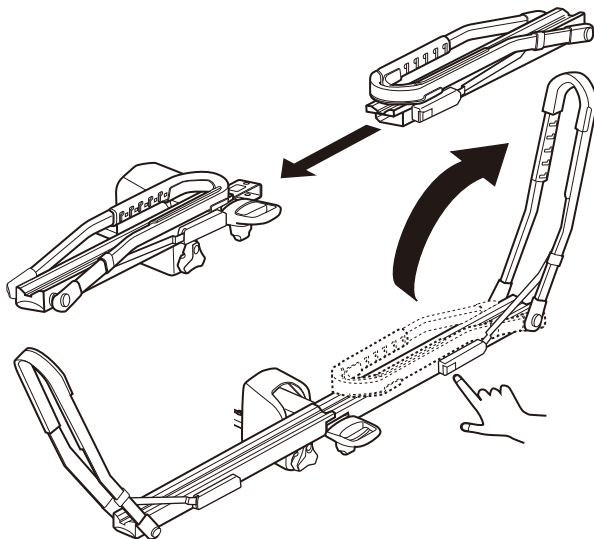
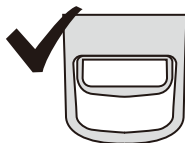
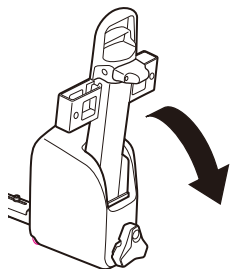

7.4ft-lb (10 N·m)
7.4pi-lb (10 N·m)

 Precautions



4

 **Warning** Confirm that red part must be invisible.

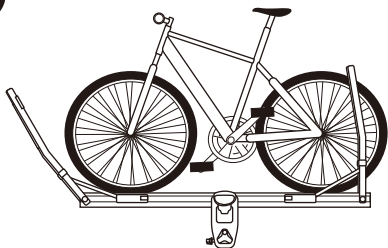


Loading a bike

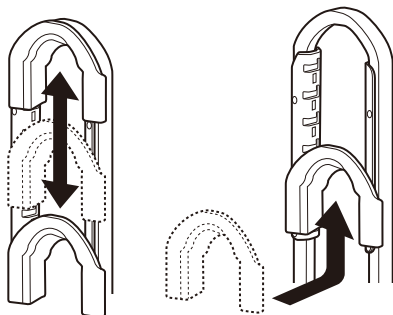
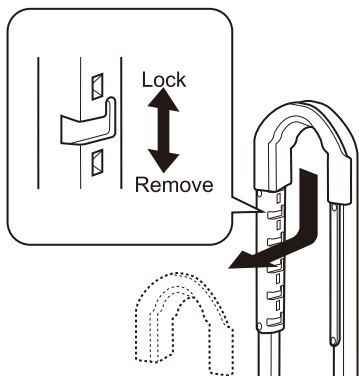
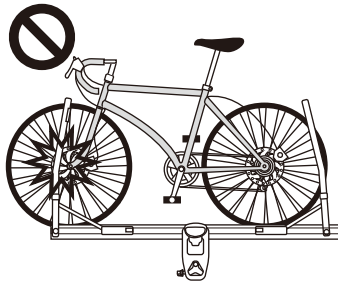
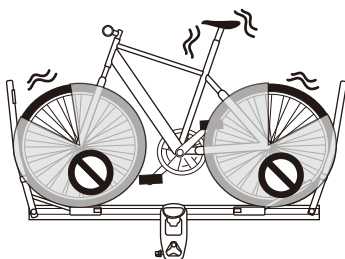
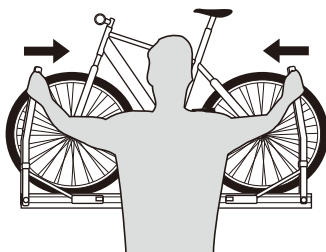
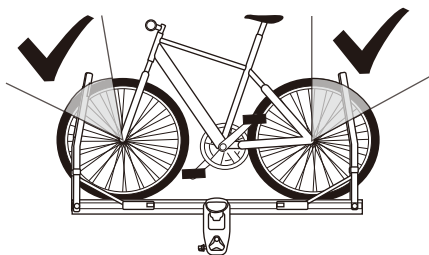
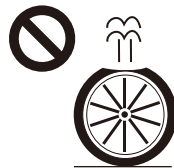
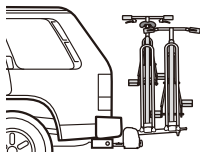
5

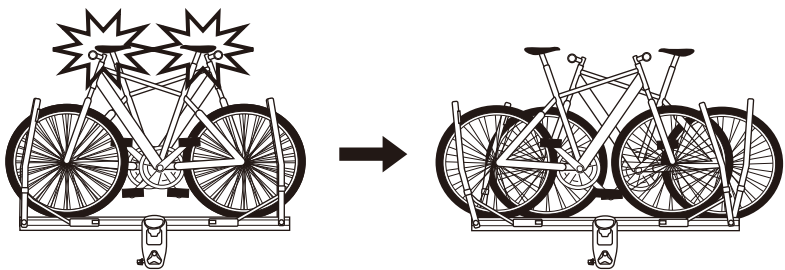
 Precautions


 Precautions

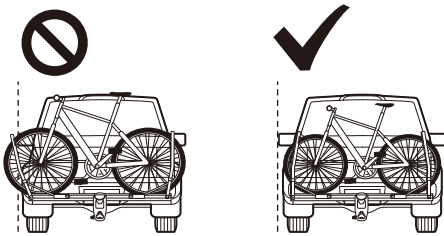


Heavy \longleftrightarrow Light

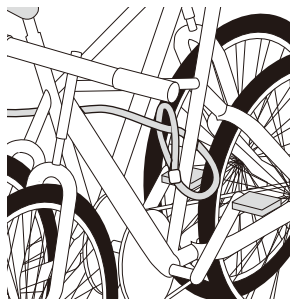
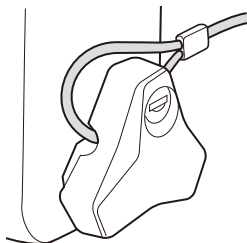




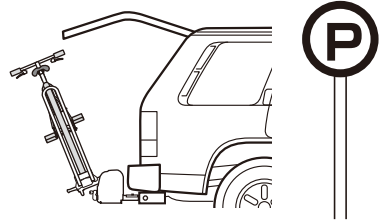
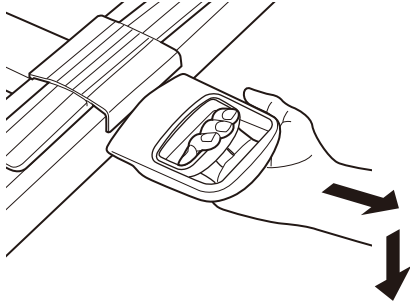
 **Warning** Do not load a bike that exceeds the car width.



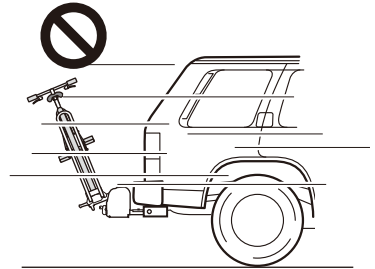
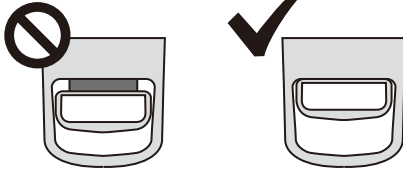
6



Tilt down

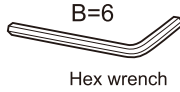
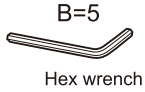


 **Warning** Confirm that red part must be invisible.



Spare parts

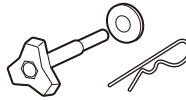
Please specify part name when ordering spare parts.



ISP 1066 (INH110-120)
ISP 1067 (INH142)
Wire cable



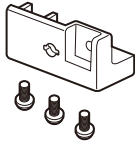
ISP 1068 (INH110. 120)
Safety Pin



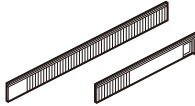
ISP 1069 (INH142)
Safety Bolt



Cap Bolt M8 set



ISP 1070 (INH110. 120)
Adapter



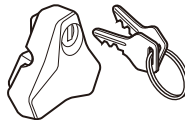
ISP 1071
Ratchet rail



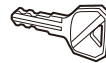
ISP 1072
Bolt cover



ISP 1073
Tire adjuster



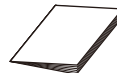
ISP 1074
Knob



Key
Key number is not changeable



INH110 120 142
Installation instruction



Hitch Carriercommon Installation instruction

Contact Information

We do not accept any liability for accidents, damage or injury caused by incorrect installation or use, modification, or natural disaster. Specifications and appearance of the carrier system and genuine replacement parts are subject to change without prior notice in the interest of product improvement.



Check out the collection of roof racks and cargo carriers we offer.