

INA951/952

Installation instructions

Before using this product, carefully read this instruction manual for proper use.

Please read the product specific installation instructions for other products.

Keep this installation instructions in a safe place.

If you are to give this product to a third person, provide him/her with this manual as well to ensure safe use.

If you have any questions regarding this manual, please contact customer service listed in this manual.

**Warning**

Failure to follow this warning can result in serious accidents including death or serious injury.

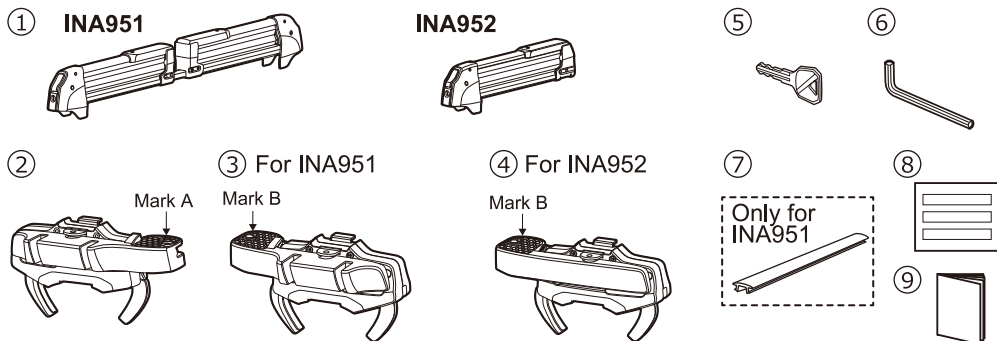
- Confirm the stability and strength of the base rack onto which this product is to be installed, and attach it securely.
- Make sure that all bolts and nuts are securely tighten before driving.
- Lock securely while driving.
- Do not modify this product.
- Leave at least 20 inches (500mm) of space in front of and behind the base rack.
- Do not load items other than skis or snowboards.

**Precautions**

Failure to follow precautions can result in injury, damage to the product, vehicle, or load.

- This product is not theft-proof. Therefore, Do not leave equipment on this product unattended for long time.

Product contents



No.	Parts	Qty		No.	Parts	Qty	
		INA951	INA952			INA951	INA952
①	Main unit	2	2	⑥	Hex Wrench	1	1
②	Memory mount A	2	2	⑦	Frame molding	1	—
③	Memory mount B (For INA951)	2	—	⑧	Specification sticker	1	1
④	Memory mount B (For INA952)	—	2	⑨	Installation instructions	1	1
⑤	Key	2	2				

Tools required

Following tool is required for installation of the product. (Only for INA951)



Scissors

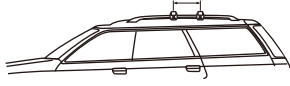


Pencil

Check before Use

Dimensions of installation hardware

Recommendation 29 1/2 inch (750 mm)
At least 20 inch (500 mm)



■ Mountable bar dimensions
1~3 1/2 inch (25~90mm)



H : 7/8~1 3/8 inch (23~35mm)

T1 : Distance to the roof Allow minimum
2 1/8 inch (55mm)

T2 : Allow minimum 1 inch (25mm)

Referring to the installation instructions of the base stay, install the stay and the bar so as to leave 20 inch (500mm) or more space in front of and behind the rack.

⚠ Precautions

For correct installation, carefully read the installation instructions of the base stay for assembly and installation of the stay and the bar.

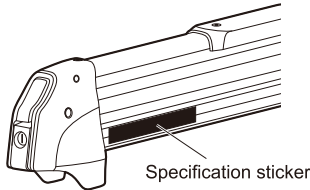
This attachment can be installed to the INNO Base Rack as well as the factory and aftermarket rack/crossbars. Mount the INNO Base Rack / the factory rack / crossbars securely to the vehicle.

⚠ Warning

Check vehicle or base rack product instructions to confirm that the base rack to which this product is to be installed has sufficient strength to support this product. If the base rack does not have sufficient strength to support this product, do not install.

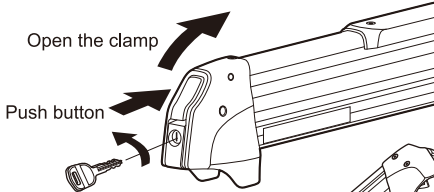
Preparation before installation / INA951

1 Prepare to install the attachment. (INA951)



Specification sticker

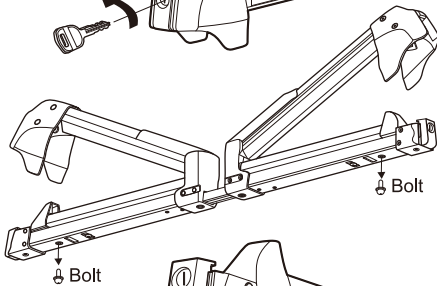
- 1 Affix the specification sticker in the relevant language.



Open the clamp

Push button

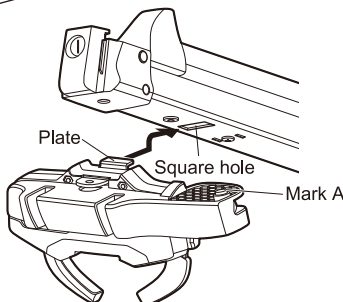
- 2 Insert the key and turn left to unlock. To open, lift up the clamp while depressing the push button.



Bolt

Bolt

- 3 Remove bolts in 2 places on the underside of the attachment body.

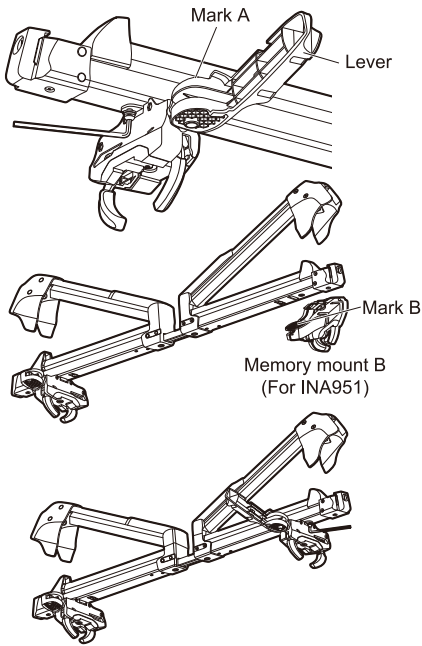


Plate

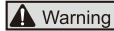
Square hole

Mark A

- 4 Insert the memory mount A plate into the square hole on the body.

1

- 5** Open the lever, insert the bolts removed in Procedure 3 into the memory mount A plate, and fix it to the nut of the attachment body using the included wrench.



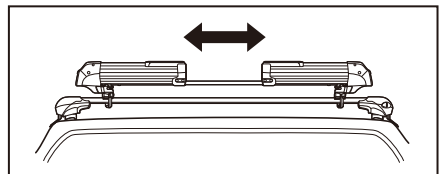
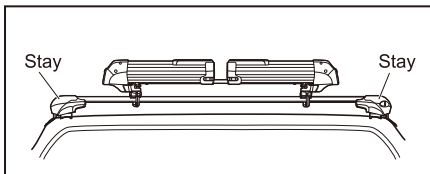
Warning
Tighten the bolts with the plate securely fit in the square hole.

- 6** Insert the memory mount B (for INA951) plate into the square hole on the other side of the hole inserted in Procedure 5.

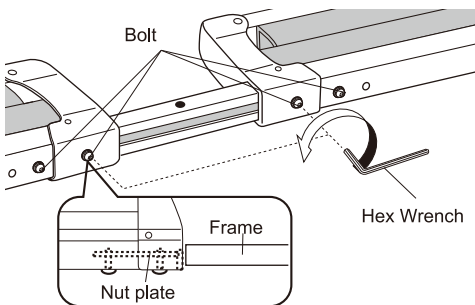
- 7** Open the lever, insert the bolts removed in Procedure 3 into the memory mount B (for INA951) plate, and fix it to the nut of the attachment body using the included wrench.

2 Determine the attachment width. (INA951)

[Width adjustment function]



For INA951, width is adjustable. Spread the width for easier loading and unloading for a vehicle with a wide or tall roof. Install it between the right and left stays.



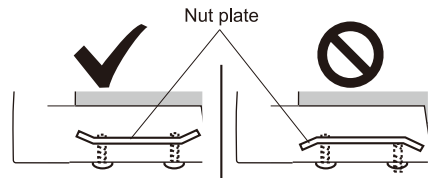
- 1** Loosen the bolt 2 turns with the hex wrench.

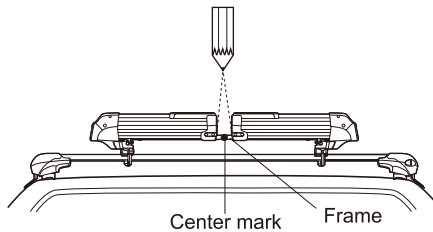


Note
Do not loosen the bolt too much, or the nut plate may come off.



Warning
If the nut plate comes off, install it again in the correct mounting direction.

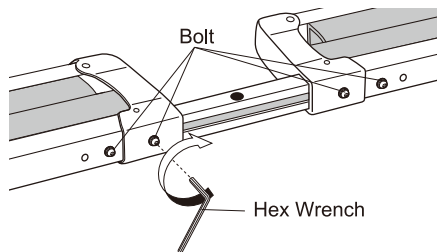


2

- Place the attachment on the bar, adjust the frame width between 0 and 15 inches (380mm) so that the frame center mark is in the center, and mark the frame position with a pencil.

Warning

If the frame width is over 15 inches (380mm) or the frame is off-center to the right or left, the frame will fall off. Adjust the width within the range that the frame is visible from the hole on the underside of the attachment.



- Line up with the position marked with the pencil, and tighten the bolts securely.

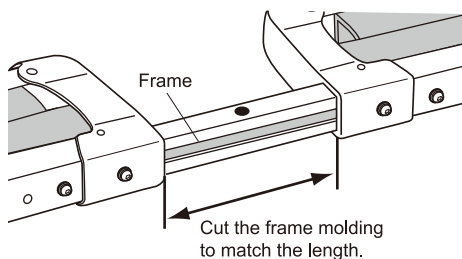
Warning

Make sure that bolts are not loose.

Note

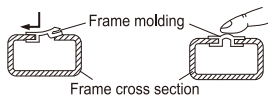
When moving the frame, make sure that the center mark is in the center and the frame does not come off.

3 Install the frame molding. (INA951)



- Cut the frame molding with scissors according to the length of the groove on the frame backside.
- While inserting one side of the frame molding into the frame, push the other side with your finger. After pushing it in, smooth it out using your finger.

1. Insert it.
2. Push it using your finger.
3. Smooth it out using your finger.



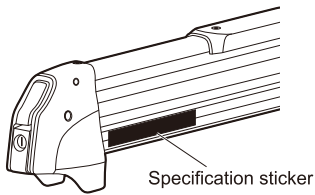
Note

Install the frame molding to both the front and rear racks. Cover the entire groove on the frame backside, or the groove may cause wind noise. Be sure not to create any gaps when covering with the frame molding.

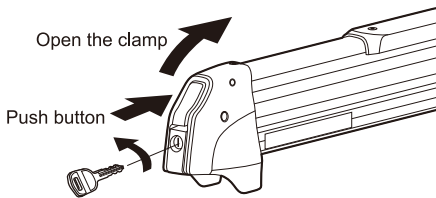
Preparation before installation / INA952

1 Prepare to install the attachment. (INA952)

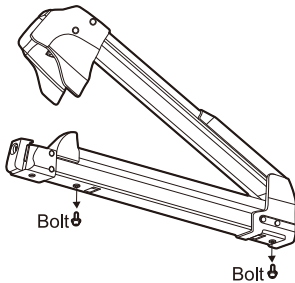
- 1 Affix the specification sticker in the relevant language.



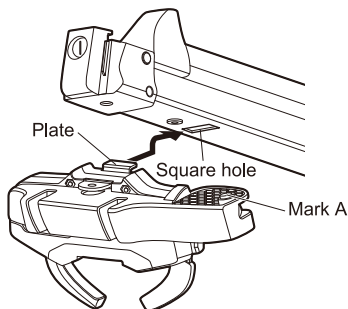
- 2 Insert the key and turn left to unlock. To open lift up the clamp while depressing the push button.



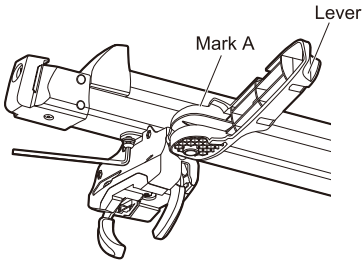
- 3 Remove bolts in 2 places on the underside of the attachment body.



- 4 Insert the memory mount A plate into the square hole on the key side body.



1

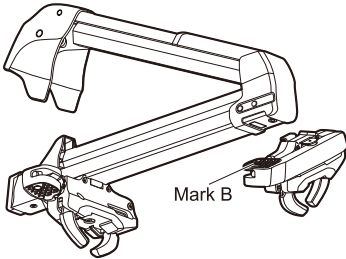


- 5 Open the lever, insert the bolts removed in Procedure 3 into the memory mount A plate, and fix them to the nut on the attachment body using the included wrench.

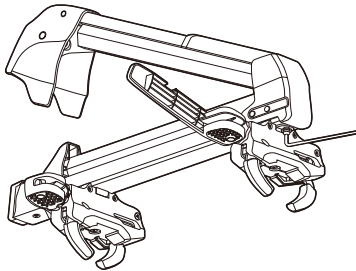


Warning

Tighten the bolts with the plate securely fit in the square hole.



- 6 Insert the memory mount B (for INA952) plate into the square hole on the body hinge side.



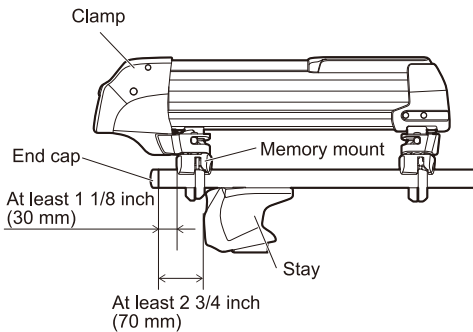
- 7 Open the lever, insert the bolts removed in Procedure 3 into the memory mount B (for INA952) plate, and fix them to the nut on the attachment body using the included wrench.



Warning

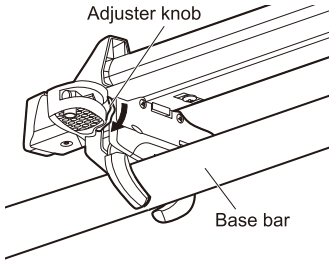
When installed outside the stay

Install the memory mount in a place 30mm or more away from the bar end. The distance does not include the end cap.

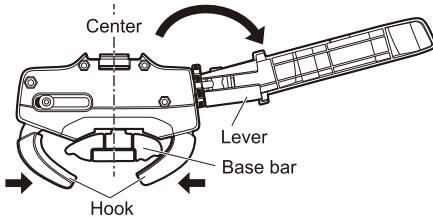


How to install to the base rack

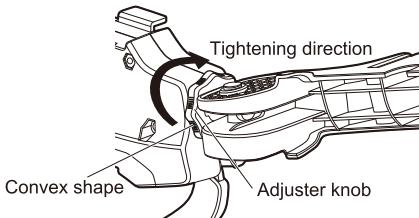
1



- 1 Close the lever, rotate the adjuster knob in the direction indicated with an arrow, and tighten firmly using your fingertips.



- 2 Open the lever, and rotate the adjuster knob to the direction indicated by the arrow (counter clockwise) by about 6 turns to make the hook space narrower. Confirm that the base bar center matches the center between hooks, close the lever to securely tighten. If the lever is loose, rotate the adjuster knob more. If the lever is too tight, reverse the direction of the adjuster knob and securely tighten.

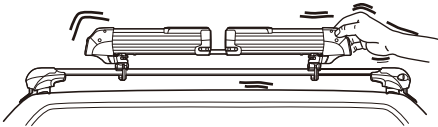


- 3 Fix the remaining 3 places in the same procedure.

Note

- Adjuster knob has a convex shape to indicate how many turns are made.
- Depending on the shape of the base bar, make more or less turns to tighten the hooks.

Confirmation after the attachment is installed



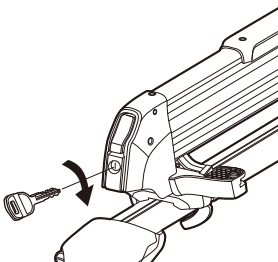
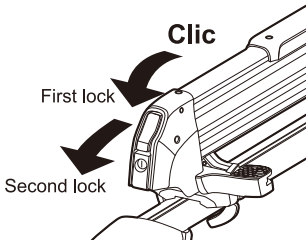
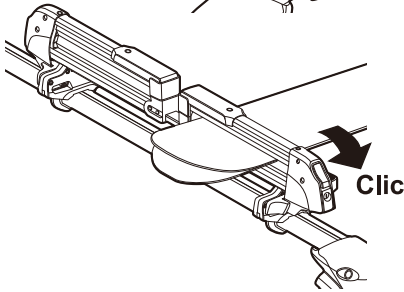
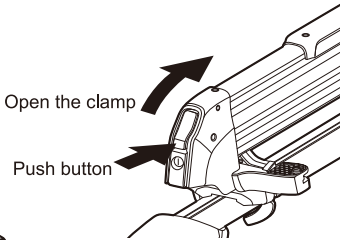
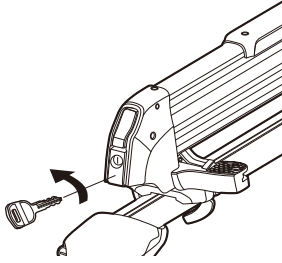
- 4 Shake the front and the rear attachment in all directions to check for rattling caused by loose bolts or the lever.

As the cushion will tend to adhere to the bar, there may be initial looseness right after installation.

Should there be looseness, repeat steps 1 through 4.

How to use

1 Loading



1 Insert the key and turn left to unlock.

2 To open lift up the clamp while depressing the push button.

3 Load skis, snowboards, or poles using the procedure below, and close the clamp until a clicking sound is heard.

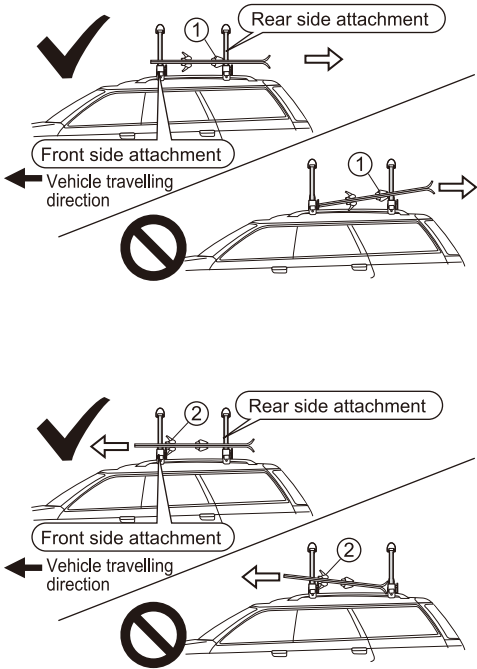
2-step lock

INA951/952 is tightened using 2 steps.

- Use the first step lock for a thick skis.
- Use the second lock for snowboards or normal skis.
- Use the second lock as much as possible to ensure a secure fit.

4 Insert the key, turn right to lock, and remove the key.

1



5 Make sure that the skis or snowboards are loaded in the following procedure.

How to check whether or not the ski / snowboard is loadable

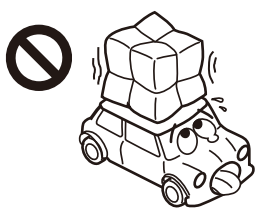
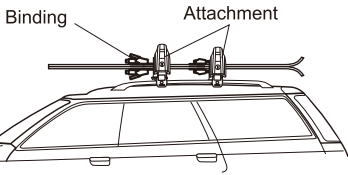
- 1) With the clamp arm open, place the ski or snowboard on the rack with the tail facing in the travelling direction.
- 2) Slide the ski or the snowboard until the binding ① touches the rear side attachment.
- 3) If the ski or the snowboard comes off from the front side attachment after sliding, do not load the ski or the snowboard on the rack.
- 4) Even if the ski or the snowboard does not come off in the checking procedure above, be sure to slide the ski or the snowboard until the binding touches the front side attachment ②.
- 5) If the ski or the snowboard comes off from the rear side attachment after sliding, do not load the ski or the snowboard on the rack.

	INA951	INA952
Ski only	6	3
Ski + Pole	4 sets	2sets
Snowboard only	4	2
Snowboard + Ski	2 + 3	

Note
If the ski/snowboard binding does not fit between the front and the rear attachment, load the ski/snowboard with one binding located outside the attachments.

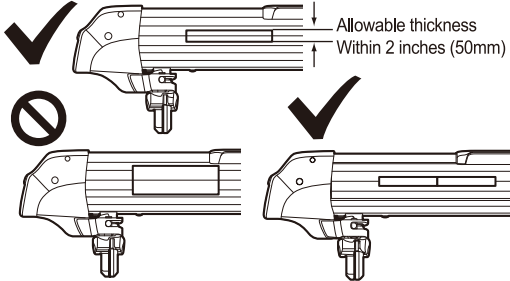
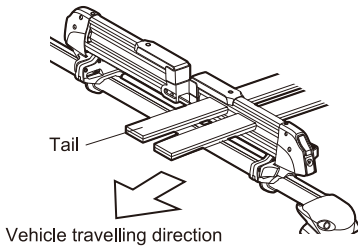
Warning
When the binding needs to be set in front of the attachments, driving the vehicle at 50 mph (80km/h) or less. Driving the car in excess of 50mph (80km/h) may damage the ski/snowboard or the ski/snowboard may fall off and cause a serious accident.

Warning
Maximum loading capacity varies depending on vehicle type. There may be varied maximum load limitations depending on the make and model of vehicle. Loading in excess of the maximum capacity applies excessive force on the attachments and may cause the rack to fall off resulting in an accident involving the car to the rear or a pedestrian.



Load the Skis

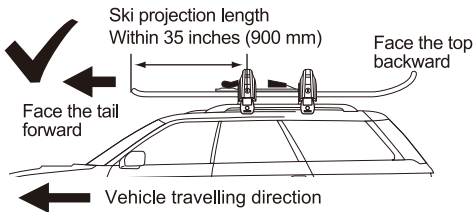
1) Put the skis together, and load them with the tail facing forward.



• Precautions for loading carving skis
If a binding or plate is built in the ski and the thickness is 2 inches (50mm) or more when the plates are put together, load the skis separately.

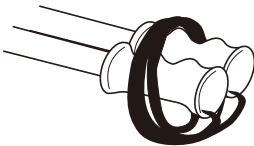
⚠ Precautions

- When loading skis separately
- Load skis with the tail facing forward.
- If the binding does not fit between the front and the rear racks, shift the binding forward.
- Length projecting from the front rack should be within 35 inches (900mm).
- The difference in thickness when loading skis or snowboards must be within 3/8 inch (10mm).

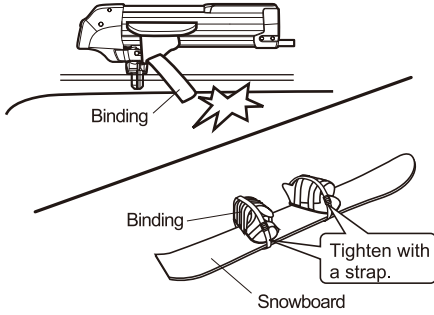


How to load the pole

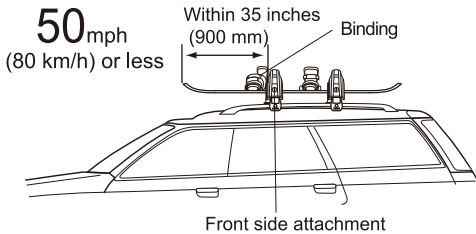
Wrap the pole strap around the grips to prevent the strap from touching the roof before loading.



How to load the snowboard



- 1) When loading with bindings facing downward, fix the bindings with a strap, etc. to prevent bindings from touching the roof before loading.
- 2) Load the ski and snowboard in a way that bindings do not touch the memory mount. Should they touch, change the ski and the snowboard loading position.
- 3) Load the ski and the snowboard with the binding fit between the front and rear attachments. If necessary, load them with one side binding set in front of the rack.



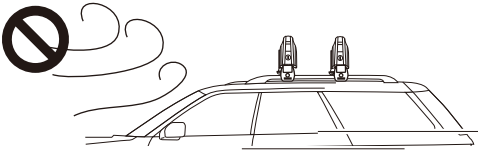
Precautions

When the binding is set in front of the rack

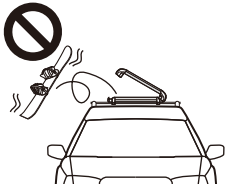
- Load the snowboard facing up.
- Length projecting from the front rack should be within 35 inches (900mm).

Warning

Loading in excess of the maximum capacity applies excessive force on the attachments and may cause the rack to fall off resulting in an accident involving the car to the rear or a pedestrian.



Warning



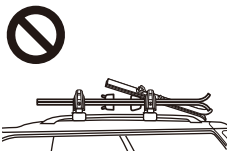
Be sure to close the clamp arm securely and lock the key when loading skis, poles, or snowboards.



Do not use any protective bag or case for the skis or snowboards when loading. Doing so may result in the rack or load falling off due to wind pressure during transport.



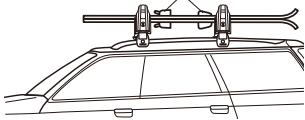
Avoid sudden starts, sudden turns, and sudden braking as much as possible. If you could not avoid unsafe driving, always check the rack and loaded items for the attachment condition.



Be sure to follow the check procedure (refer to P. 9) before loading any skis, poles, or snowboards. If any of the items do not conform to the conditions, do not load them on the rack. Short skis or snowboards for children may slip out from between the front and the rear racks during transport causing an accident involving the car to the rear or a pedestrian.

80 mph (130 km/h) or less

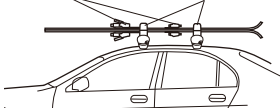
Binding



50 mph (80 km/h) or less

Binding

Crossbar

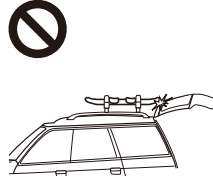


Driving at a speed less than 80 mph (130 km/h) Do not exceed a speed of 80 mph (130 km/h) when carrying ski or snowboard. And observe legal speed limit. If the bindings do not fit between the front and rear crossbars, move the snowboard so that one of the bindings is on the front side of the front carrier, and make sure you do not exceed 50 mph (80 km/h) when driving.

Precautions

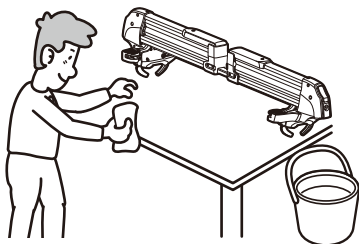


Do not use a car wash with the carrier mounted on the car.

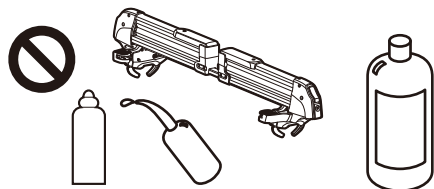


Use caution when handling ski or snowboard around the tailgate and/or truck lid area.

Daily maintenance



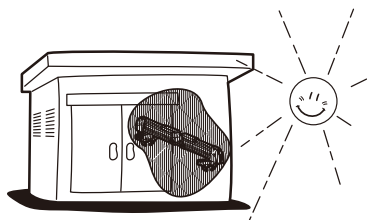
- 1 If the attachment is dirty, wash it with water.
- 2 Screw water out of a wet towel and remove dirt with it.
- 3 Dry it completely in the shade.



Warning

Do not use any lubricate on the key and bolts.
Do not use thinner and solvent as they may damage the plastics.

Storage



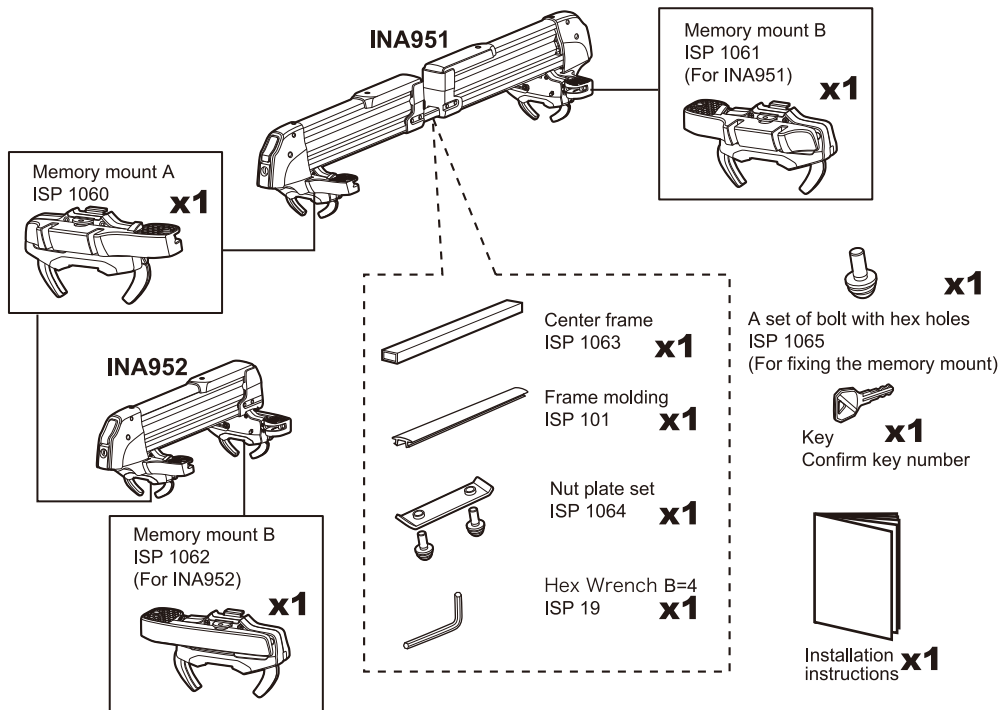
Remove this product from the vehicle and store when not used. Store the attachment in dry inside area and avoid direct sunlight.

Warning

We recommend to store the key in a bag together with the attachments used to assemble the parts.
When the attachments are not in use, remove them from the vehicle and store them in a safe place to prevent rust or deformation caused by rain, ultraviolet rays, etc.

Repair parts

Please specify part name when ordering repair parts.



Contact Information

We do not accept any liability for accidents, damage or injury caused by incorrect installation or use, modification, or natural disaster. Specifications and appearance of the carrier system and genuine replacement parts are subject to change without prior notice in the interest of product improvement.



Check out the collection of roof racks and cargo carriers we offer.