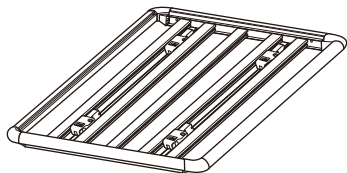




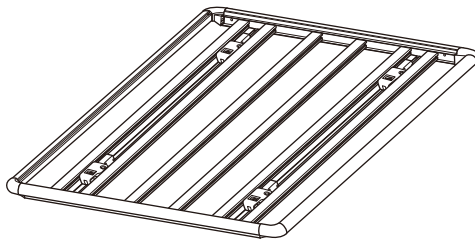
INA510/520

Installation instructions

INA510



INA520

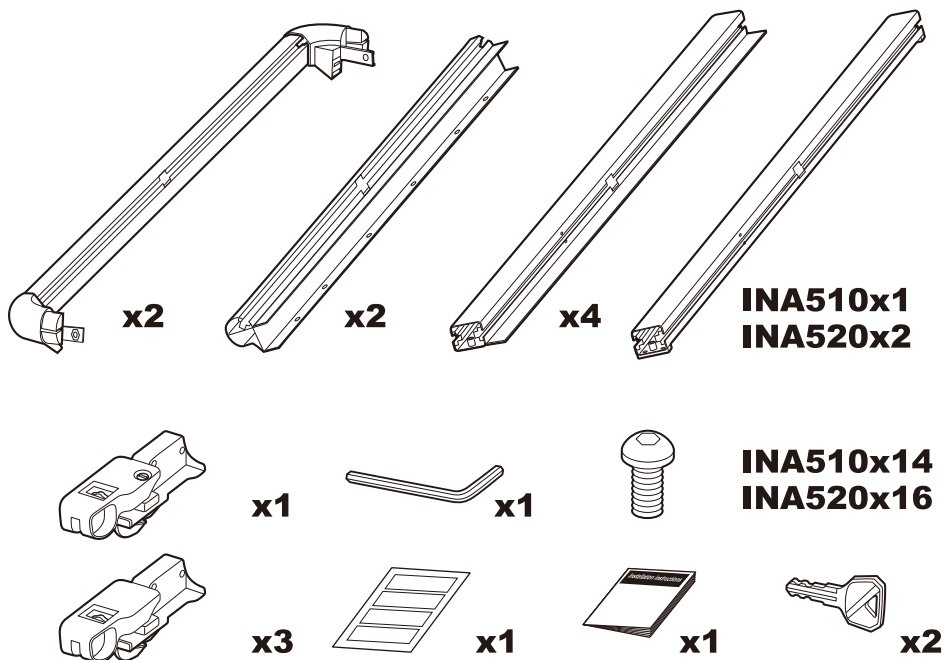


The following symbols are used throughout this manual for your attention.

 **Warning** Failure to follow this warning can result in serious accidents including death or serious injury.

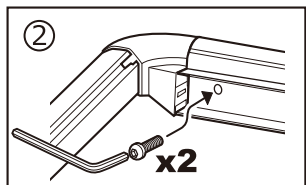
 **Precautions** Failure to follow precautions can result in injury, damage to the product, vehicle, or load.

Product contents



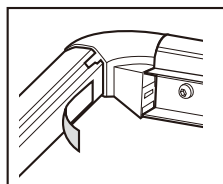
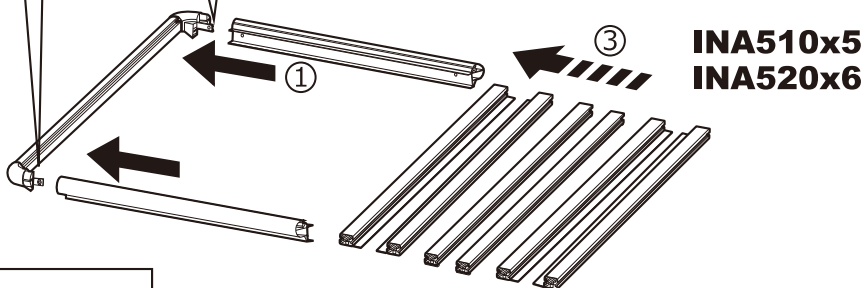
How to assemble

1 Assemble the outer frame.

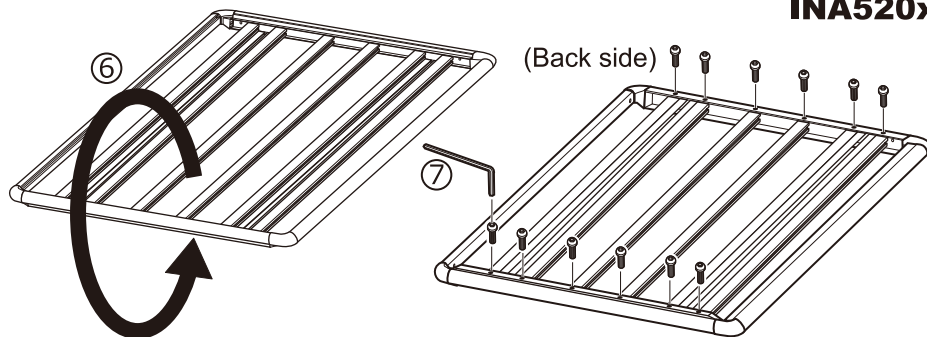
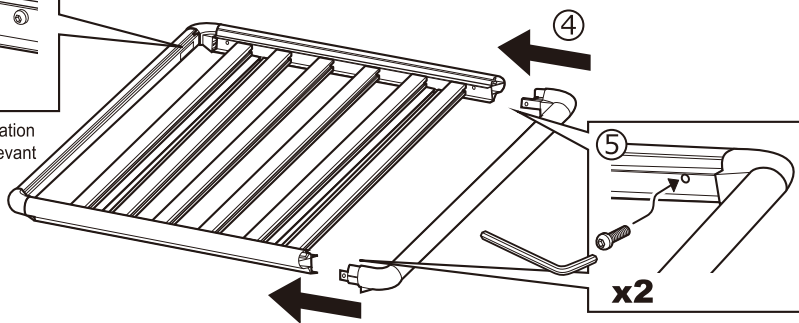


Warning

Mount correctly in the designated place.
Securely tighten with the included wrench.

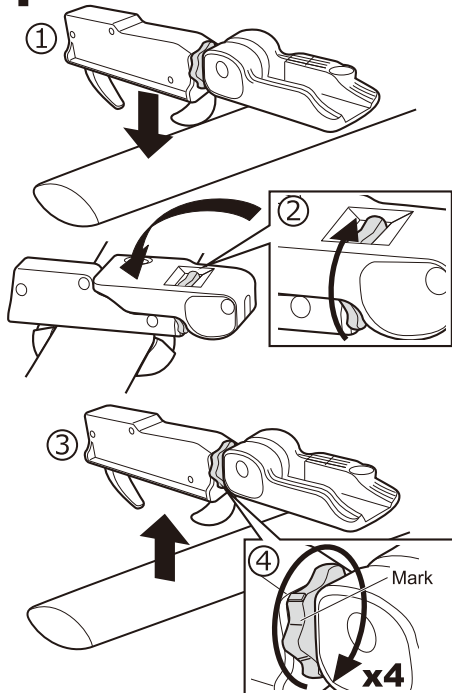


8 Affix the specification sticker in the relevant language on the stay.



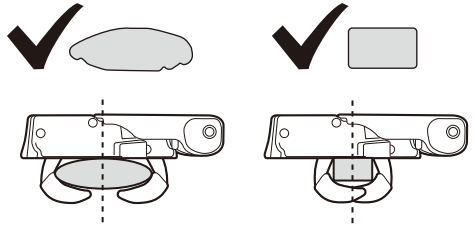
Installation to the base rack

1 Prepare the memory mount.

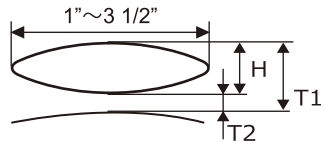


Warning

Confirm the stability and strength of the base carrier onto which this product is to be installed, and attach it securely. If the strength is insufficient, do not mount this. Be sure to use a base rack compatible with the mountable bar dimension. To use the INNO base bar, carefully read the Fit Guide and use the one appropriate for the vehicle model.

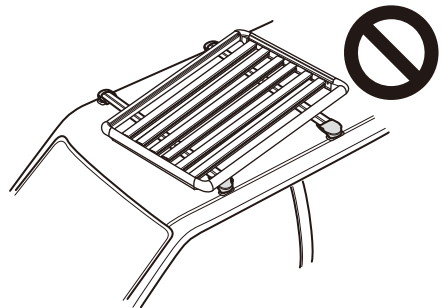
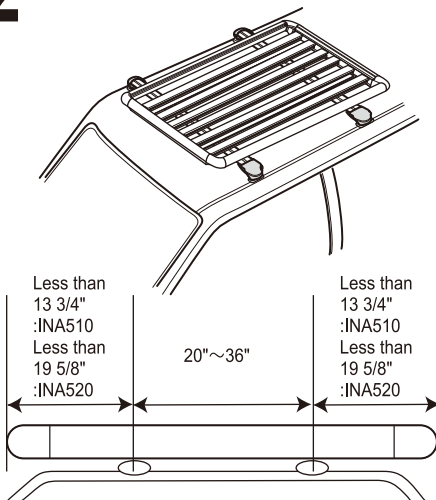


Mountable bar dimensions



H : 3/4"~1 3/8"
 T1 : Distance to the roof
 Minimum 2 1/8"
 T2 : Minimum 1"
 Roundbars are excepted.

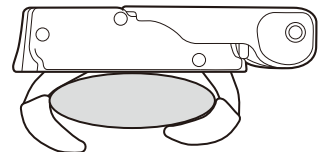
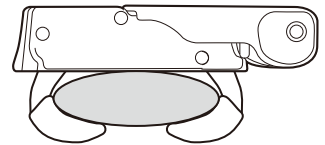
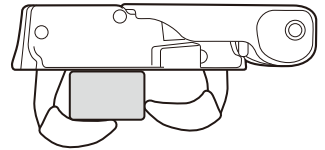
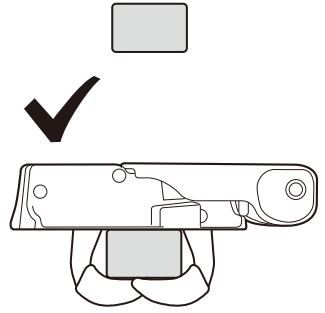
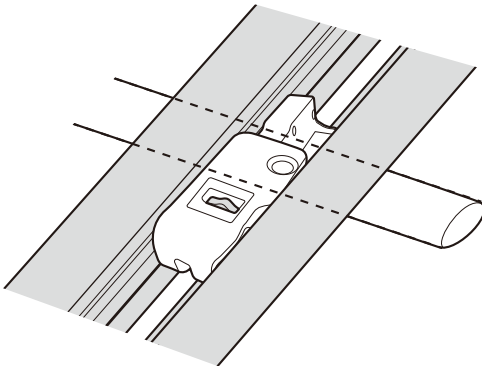
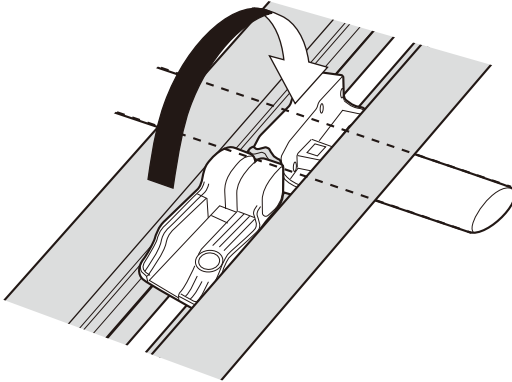
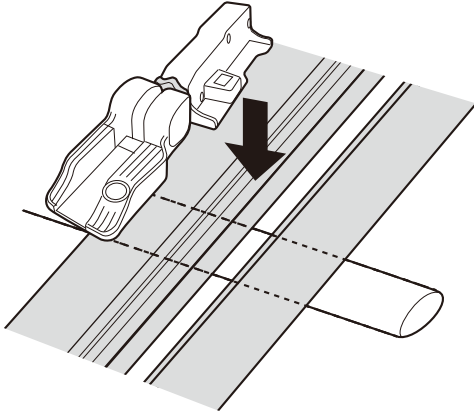
2 Place the main body on the vehicle.



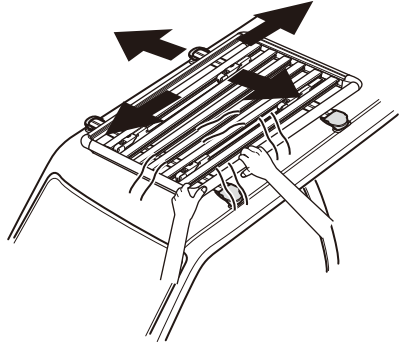
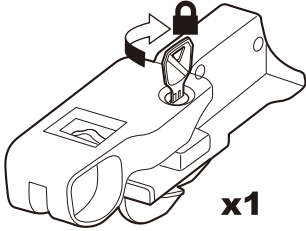
Warning

Do not install it angled to the vehicle. Insufficient fixation may cause the rack to fall resulting in an accident involving a following car or pedestrian.

3 Installation to vehicle



4 Locking



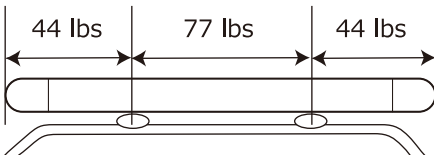
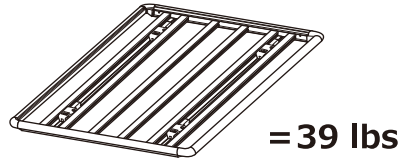
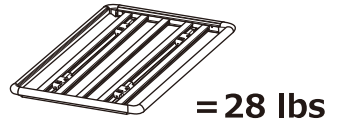
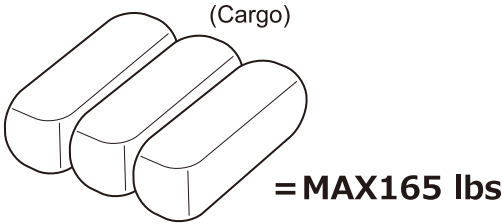
Warning

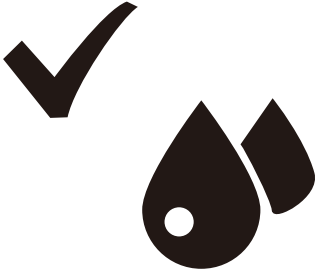
Before loading the cargo and driving the car, be sure to shake the rack to the front, rear, left, right, up and down to check for rattling caused by loose nuts, screws, or bolts and confirm that the rack is securely fixed to the bar. Insufficient fixation may cause the rack to fall while driving resulting in an accident involving a following car or pedestrian.

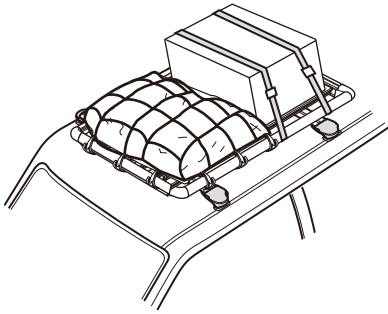
Load the cargo

Warning

The maximum load capacity differs depending on the combination of the rack and the vehicle model. Refer to the Fit Guide.

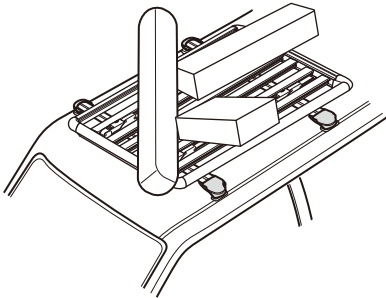






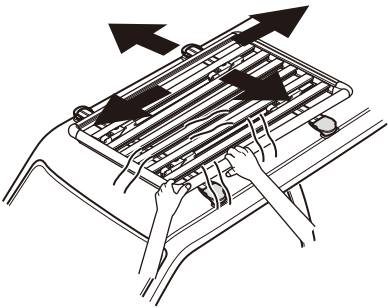
 Warning

Be sure to securely fix the load with a belt, net, and/or rope. If the load is not securely fixed, the load may fall off involving the car behind or a person in an accident.



 Warning

Do not pile the load high, on one side, or at an angle. If the load is not securely fixed, the load may fall off involving the car behind or a person in an accident.

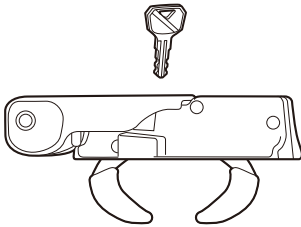


 Warning

Before driving the car, be sure to shake the rack to the front, rear, left, right, up and down to check for rattling of the fixed area. Insufficient fixation may cause the rack to fall resulting in an accident involving a following car or pedestrian.

Spare parts

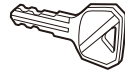
There are genuine spare parts for this product as shown below. Please specify part name when ordering spare parts.



ISP 1109



ISP 1110



Key

Contact Information

We do not accept any liability for accidents, damage or injury caused by incorrect installation or use, modification, or natural disaster.



Learn more about roof racks and cargo carriers we have.