

Thank you for purchasing the INNO product.
This product reduces wind roar, not perfectly prevent it.

Be sure to read this instruction manual thoroughly before using this product.
Keep this manual in a safe place where anyone using this product can use for reference.
If you give or lend this product to someone else, make sure that they also keep this manual.

Following legends are used throughout this manual for your attention.

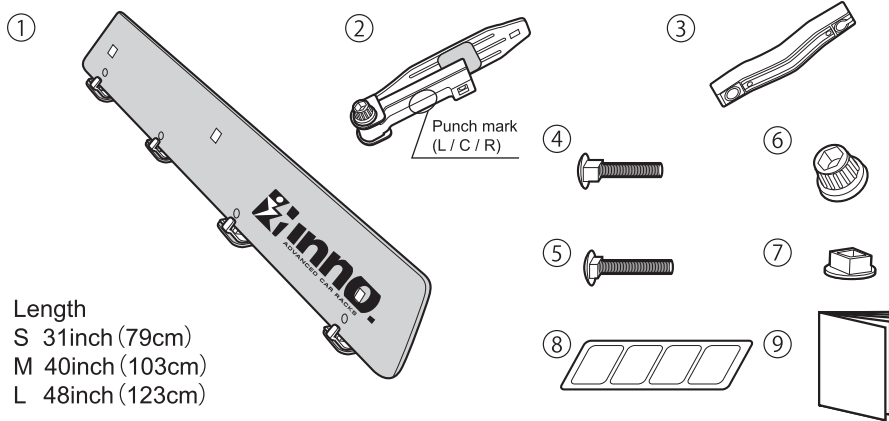
- Warning** Failing to observe these warnings may lead to accidents that may cause death or serious injury.
- Caution** Failing to observe these cautions may lead to injuries or damage to the product, vehicle, and the load.
- Note** These notes explain points you should know about when using this product.

Warning

- Confirm the stability and strength of the base carrier onto which this product is to be installed, and attach it securely.
If you suspect that the base carrier does not have enough strength discontinue the installation.
- Please do not open or close the sunroof.
- Do not alter this product.
- Check all bolts and nuts periodically to see they are securely tightened.
- Obey all posted speed limits, and reduce driving speed in strong winds. (Do not exceed 120km/hour.(75M/hour))
- Remove this product before using an automatic car wash.

Product contents

This product contains the following parts.
Make sure that you have all the parts listed. If any part is missing, contact our service center listed in this manual.



Length
S 31inch (79cm)
M 40inch (103cm)
L 48inch (123cm)

No.	Part name	Quantity
①	Fairing main body	1
②	Bracket ASSY-L	1
	Bracket ASSY-C	1
	Bracket ASSY-R	1
③	Lower plate	3
④	Small carriage bolt (M 6 x 40)	3
⑤	Large Carriage bolt (M 6 x 50)	6
⑥	Knob	9
⑦	Washer	3
⑧	Protection sheet (1 sheet contains 4 pieces)	1
⑨	Installation instructions	1

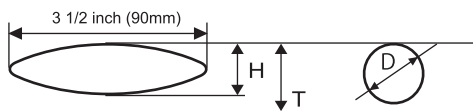
Various sizes of clamps

This product can also be installed on factory carriers and crossbars of your vehicle manufacturer as well as on the INNO square bars. (*1)

Securely install your basic carrier or crossbars on the vehicle.

*1: ISF717 long bolts (sold separately) may be required depending on the crossbar size.

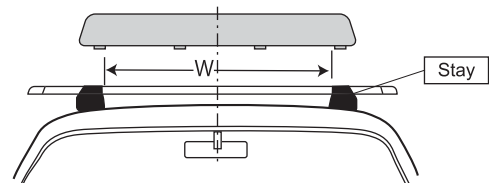
■ Sizes of installable bars



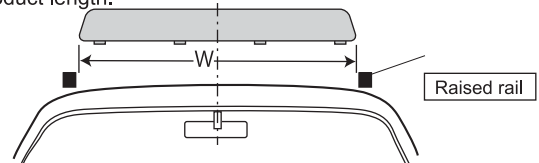
H: 5/8 - 1 inch (15~25mm) [No options required]
1 - 2 inch (25~50mm) [ISF717 will be required]
T: Distance to the roof : 2 3/8 ~ 5 7/8 inch (60~150mm)
D: ~1 1/8 inch (30mm)

Mounting possibility base carrier size

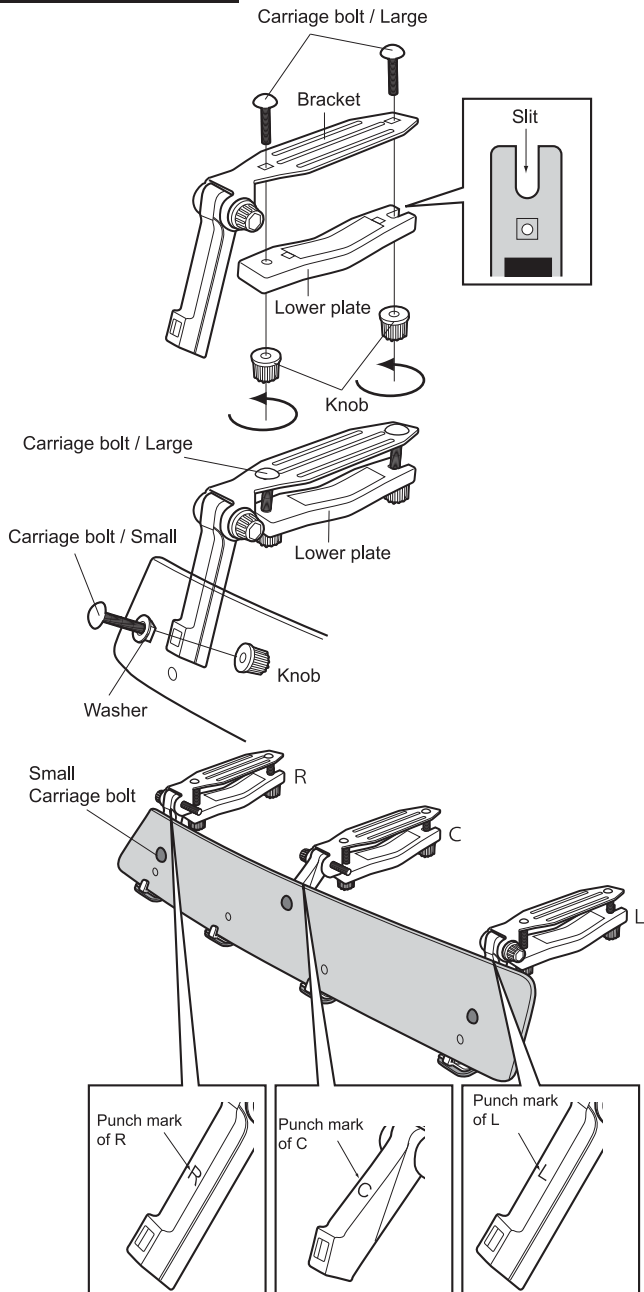
Stay interior dimensions of base carrier must be longer than mounting dimension of this product.(mounting measurement is shown in page3.)



Interior dimension of raised rail, etc. (W dimension) must be longer than this product length.



Assemble



1 Place two large carriage bolts through the bracket assembly and the lower plate, turn each knob a several times so as not to tighten the bolts yet. Make sure the slit is visible facing backward.

2 Place the small carriage bolt with a washer through the holes of the fairing main body and the bracket assembly. Tighten each knob on the three designated installation positions.

⚠ Caution

There are three kinds of bracket assembly and each has its own designated installation position. Confirm the punch mark on each bracket assembly.

Installation - 1

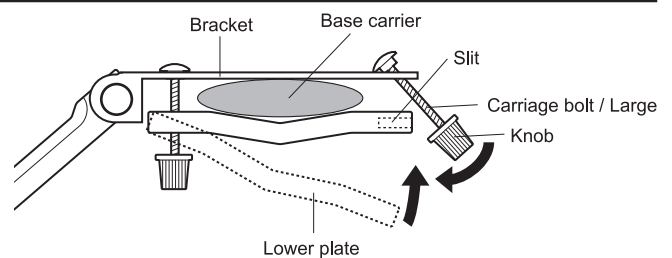
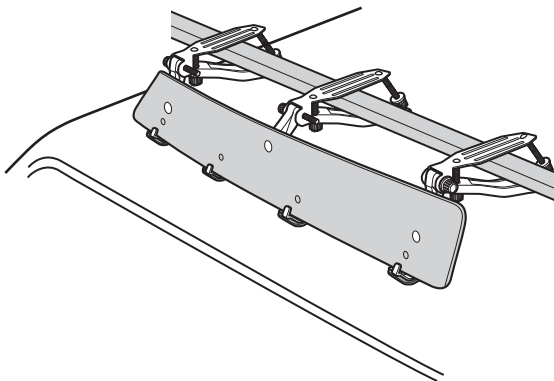
⚠ Caution

- In case there are other attachments on the base carrier, remove it once.
- Please be careful not to scratch roof when mounting.
- This product is attached on the front carrier.

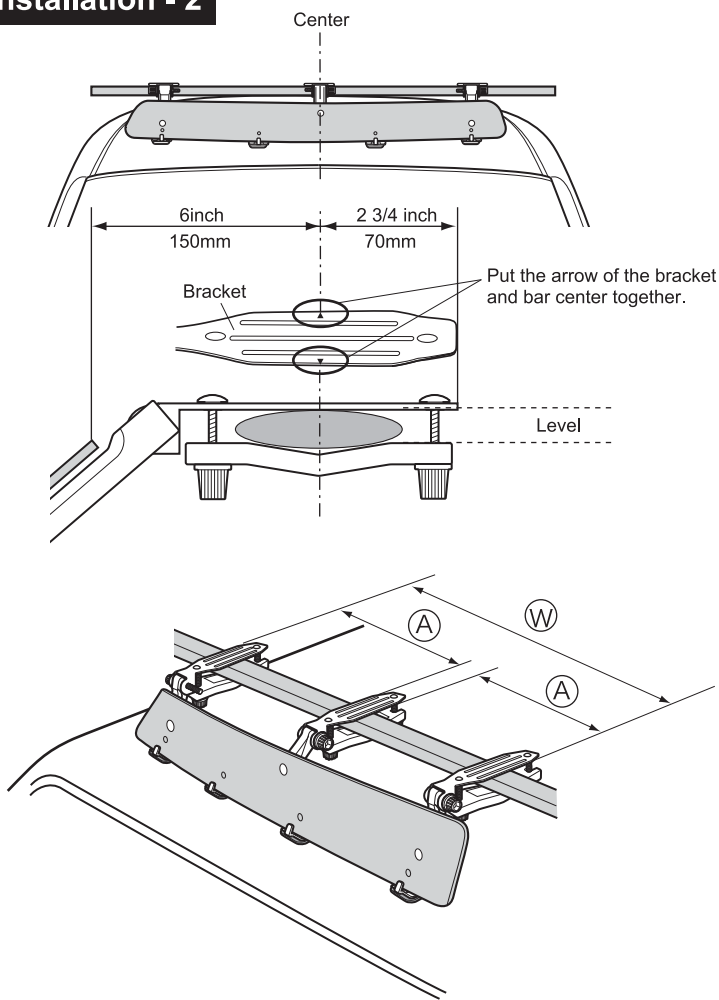
- 1** Please remove the carriage bolt L on the bracket ASSY slit side from the lower plate.
- 2** As holding the bracket from top of the base carrier, put the lower plate under the base carrier, and temporarily joint large carriage bolt from the slit side again.

📌 Note

In case the carriage bolt cannot be gone throw the slit, remove the bolt once and mount again.



Installation - 2



1 Move the bracket ASSY-c to the middle of the vehicle.

2 Align both centers of the base carrier and the bracket and tighten two knobs. Make sure the lower plate is attached horizontally on the base carrier.

Note

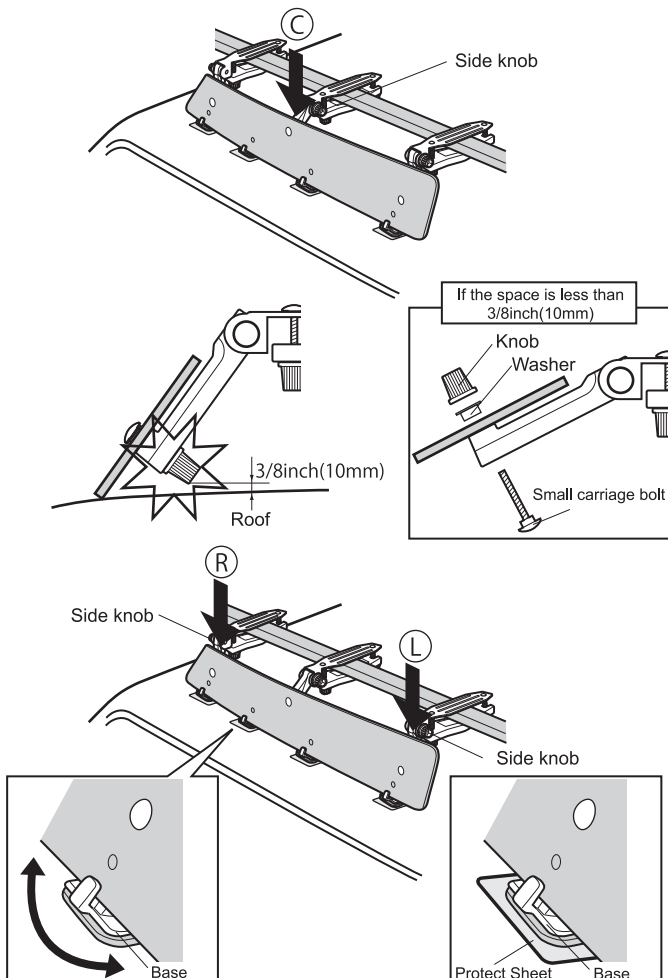
Center arrows are punch marked on the bracket.

3 Same as #2, mount the bracket ASSY L and R as Installation designated position (chart 1).

Installation designated position (chart1)

Size	(A) Measurement	L R Exterior measurement between brackets (W)
S	10 3/4inch(276mm)	23 3/4inch(604mm)
M	16inch(409mm)	34 1/4inch(870mm)
L	16 3/4inch(425mm)	35 1/2inch(902mm)

Fairing Adjustment



1 Loosen each side knob on every bracket assembly.

Note

Make sure loosen 3 side knobs when changing the fairing angle for car wash, etc.

2 Pushing the center of the fairing toward the roof and lock it by tightening up by the bracket ASSY-C side knob.

3 Pushing right and left sides of the fairing toward the roof and lock it by tightening up by the bracket ASSY-L and R side knob.

If the space between the knobs which hold the fairing and the roof is less than 3/8inch(10mm), replace the knob and small carriage bolt and attach the fairing again.

4 The base angle is adapted with the roof.

5 Check the position where the fairing will be touched on the roof, and then loose the side knob. After that, put the protection sheet on the part where the base is touching.

Note

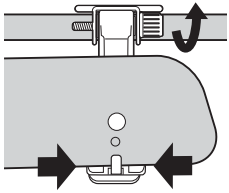
A base part of the fairing little floating from the roof might be happened, depending on the vehicle roof shape. In that case, pushing the fairing by hands and put the protection sheet on the place the base is touching.

6 After readjusting the fairing, tightening each side knobs of bracket ASSY to lock it.

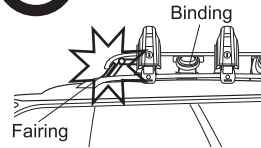
Note

Depending on vehicles, 4 parts of the base are not attached on the roof, but it shouldn't be any problems.

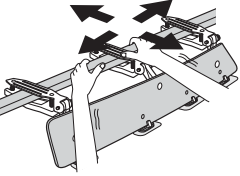
⚠ Warning



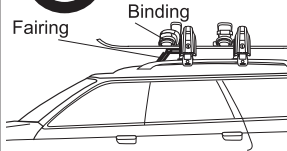
Before driving, check whether there is any rattling due to loose knobs or not. If you hear or feel rattling, tighten all installation sections again. If some knobs are loosened, the fairing may be slide out of the roof due to driving fluctuation and wind blast. It might be possible to get involved following vehicles and people in the accident.



When loading ski and/or snow board and the put the binding downward, if the binding interferes with the fairing, remove the fairing or stop loading.

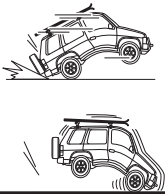


Make sure that the fairing is installed parallel to the direction of driving. Shake the product forwards, backwards, left and right to check whether there is any rattling or not. In case of checking rattling, tighten it more.

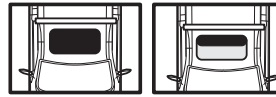


Slide it forward

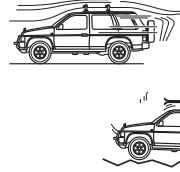
When installing this product and loading ski and snowboard, put the binding between attachments back and forth. Please do not exceed 80km/h(50M/h) when the binding is slid forward.



Avoid sudden starts, sudden turns, and suddenbraking. Such maneuvers may cause the possibility of vehicle rollover that may cause damage to the fairing.



Do not open or close the sunroof when you attach the fairing on the vehicle. When you close and open the sunroof, the carrier or the vehicle may be possibly damaged because the sunroof hits the fairing. If you hit, please check the condition of the fairing and the base carrier.

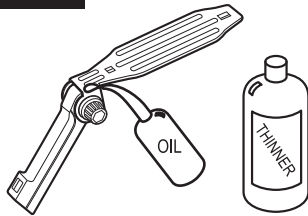


Observe legal limit and reduce your speed accordingly when driving in strong wind conditions or in bad road conditions. Exceeding speed limit and driving in bad conditions may cause the fairing and the carrier to slide out of place due to loosen knobs and bolts. It might be possible to get involved following vehicles and people in the accident.



Remove the fairing and the carrier before using an automatic car wash. Please check the attachment condition in case using an automatic washing machine accidentally. The fairing and the carrier or the vehicle may be damaged if you don't remove the fairing and the carrier when using an automatic washing machine.

Daily Maintenance

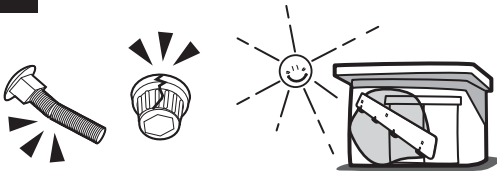


- 1 Wash the mud and dust with water.
- 2 Screw water out of a wet towel and remove dirt with it.
- 3 Dry it completely in the shade.

⚠ Note

- Do not use oil, thinner, detergent, wax, etc.
- Please do not oil the screws or the bolts.

Storage



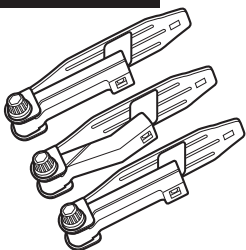
Inspect every parts

Clean this product and inspect every parts whether there are no problems or not. If you find any cracks or damage, discontinue using the fairing and replace it.

Store the fairing.

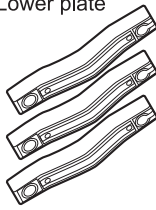
Remove the bracket ASSY from the fairing before store the fairing. Store the hitch in dry inside area and avoid direct sunlight.

Genuine parts



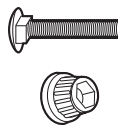
Bracket ASSY-L
Bracket ASSY-C
Bracket ASSY-R

Lower plate



Lower plate set (3)

Large carriage bolt
(M6 x 50)



Knob

Large carriage bolt set
(2 for each)

Small carriage bolt
(M6 x 40)



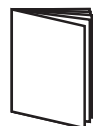
Washer

Knob

Small carriage bolt set
(3 for each)



Protection sheet
(1 sheet contains 4 pieces)



ISP288
Installation instructions