



# IN-XR Basic Carrier System XR Installation Instructions

US

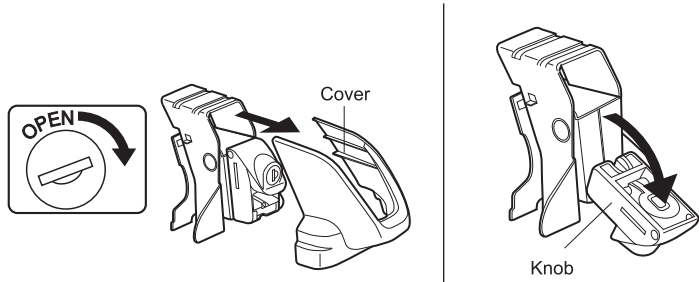
The following Installation Instructions explain how to properly install and use IN-XR carrier system stays.  
After reading this manual, keep it in a safe place along with the instructions for other components in your Inno carrier system.

The IN-XR Basic Carrier System includes the parts, components and items shown below. Verify that all of these parts, are included with the carrier system you have purchased.

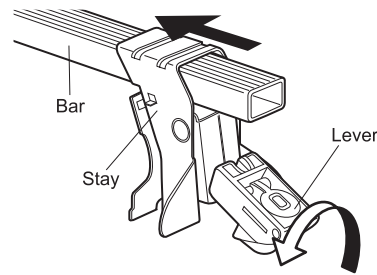


No.	Part	Qty
①	Stay	4
②	Mounting Bracket	4
③	Cover	4
④	Bolt	8
⑤	Hex Wrench	1
⑥	Key	2
⑦	Instruction Manual	1

**1** Turn the key to open, remove the auto lock cover from the stay and release the lever.



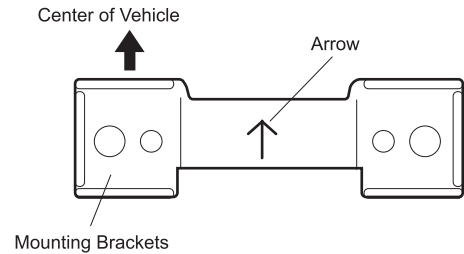
**2** Turn the lever counter-clockwise to loosen, insert the bar into the stay and fasten temporarily.



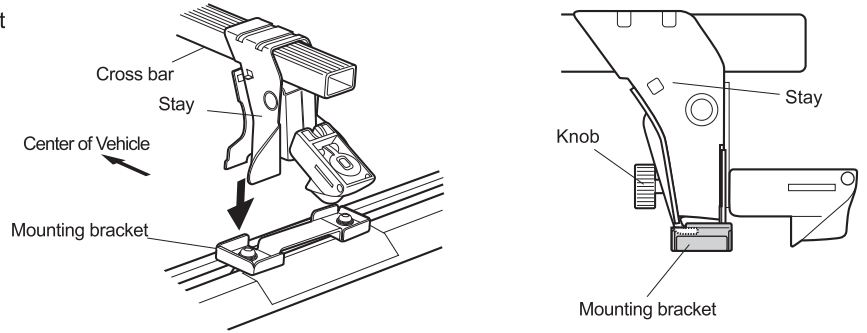
This carrier requires the appropriate fit hooks for your vehicle which are sold separately. Each fit hook style has a unique installation method. Consult the fit guide for the correct fit hook set for your vehicle. According to the fit hook and your vehicle, pre-assemble the stay part of carrier and hook according to the instructions below. After this pre-assembly, proceed to "Installation".

**3** Attach the Mounting Brackets.

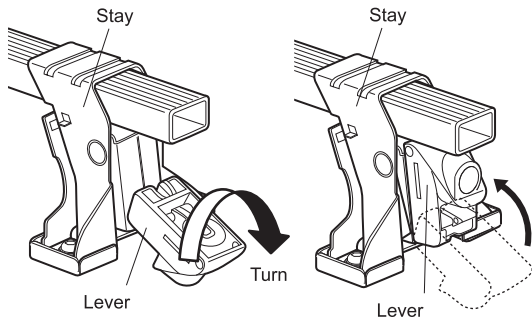
**Note**  
Attach the Mounting Brackets with the arrow pointing toward the center of the vehicle.



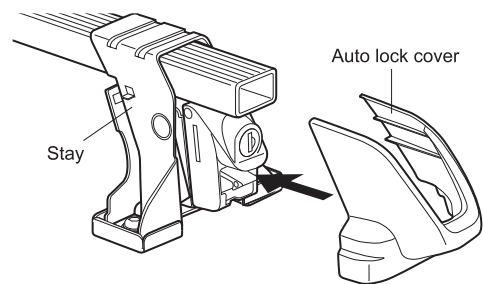
**4** After tightening the bolts, place the stay on the base unit and fasten temporarily. Be sure that the hook of stay is securely engaged to the slot of the mounting bracket.



**5** Turn the lever to tighten securely, then lift up the lever.

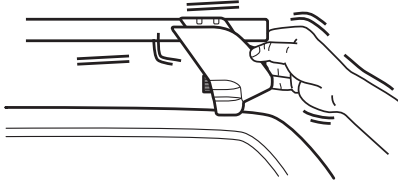


**6** Cover the end of each stay with auto lock cover.



**Final Check**

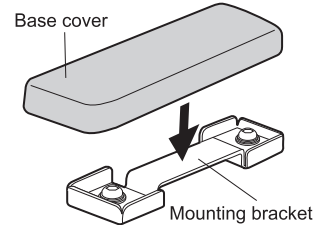
Shake both bars in all directions to make sure that everything is securely fastened.



**7** If you want to remove the rack temporarily, the mounting brackets can be left installed. The bracket can be protected and hidden using the included base covers

**Caution**

Remove covers when washing car.



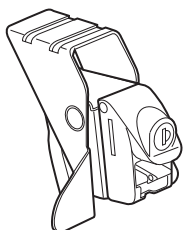
**Information on genuine repair parts**

The following genuine repair parts are available for the carrier system. Specify the part number when ordering any part from the store where you purchased your system.

**Note**

- The specifications and external appearance of the carrier system and genuine repair parts are subject to change without prior notice in the interest of product improvement.

XR Stay Assembly



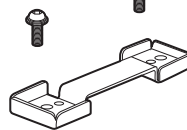
XR Lock Cover



Cover



Bolt



Mounting Bracket

Hex Wrench  
ISP-17



Key



User's Manual



Before using the Carrier System, carefully read these guidelines as well as the installation and usage instructions for all the components that make up the carrier system.

After reading these guidelines, keep them in a safe place with the instructions for the rest of the carrier system. If you give the Carrier System to a third person, provide this manual to ensure safe installation and usage.

## ⚠ Precautions

	<p>The carrier system's compatibility with an automobile is determined by the type of stay used. Moreover, certain automobiles require the use of a carrier base and mounting hooks. Be sure to consult the FIT GUIDE, which is available at your dealer.</p>	<p>Other manufacturer's attachment systems</p> <p>This Carrier System is specially designed for INNO attachments only. Do not use the system in combination with any other manufacturers' products.</p>
	<p>The mounting position, loadable cargo and maximum carrier capacity vary by vehicle type. Be sure to read "Mounting Methods by Vehicle Type" in the Installation Instructions for the Mounting Hooks.</p>	<p>When using the Carrier System, avoid driving at excessively high speeds. Do not make hard starts, unnecessarily sharp turns, abrupt maneuvers or emergency braking. In case you have to perform a sharp turn, abrupt maneuver or emergency braking, always check afterwards to see that the carrier system and cargo remain secure.</p>
	<p>Do not attempt to modify the carrier system.</p>	<p>Always check to see that the carrier and cargo are secured in place after driving continuously at high speeds, in adverse weather conditions, or when driving over rough roads.</p>
	<p>Always use the key lock to secure the carrier. Failure to do so may allow the carrier to come off, resulting in an accident.</p>	<p>Check the fastening knobs and bolts, width-adjustment screws and any other mounting hardware on a periodic basis to see that they are securely tightened.</p>
	<p>Exercise caution when opening or closing the sunroof, hatch or tailgate. Failure to do so may cause the sunroof, hatch, gate or rear spoiler to hit the carrier and/or cargo.</p>	<p>Always remove the carrier system before running your car through a car wash.</p>
	<p>Do not concentrate the cargo in one area. Doing so may damage the carrier and/or cargo.</p>	<p>Mount the carrier system to your vehicle in a well-lit, open space on flat, stable ground.</p>

## Care and Storage

- 1 Wash any mud off the carrier system. Use a damp towel to wipe away dust and dirt. Do not use any thinner or solvents to clean any part of the carrier system.
- 2 After cleaning carrier, check for any of the following:
  - 1) Worn screw threads
  - 2) Key deformation
  - 3) Holder deformation
  - 4) Cracks in any of the components of the carrier system.
- 3 Store all components of the carrier system together in one place to prevent any component from being lost. Avoid storage in areas subject to direct sunlight, high temperature or excessive humidity.