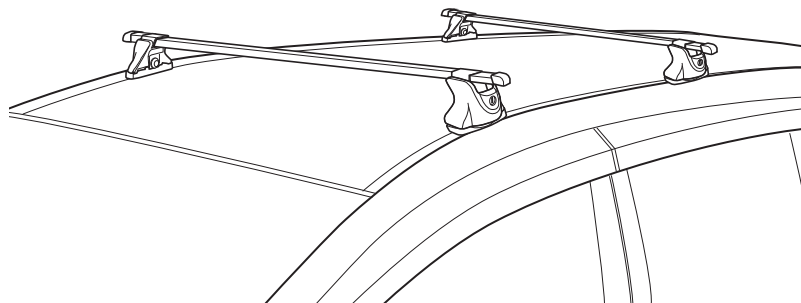




INXP

Installation Instructions

INXP

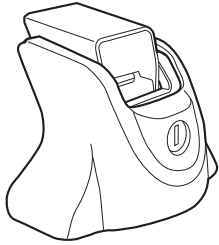


Square bar, Fit Hooks (Sold separately)

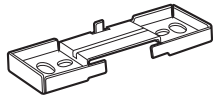
- Read the INNO common installation instructions (the accompanying sheet) as well.
- Keep this installation instructions in a safe place.
- Maximum load capacity: 165 lbs/75 kg. However, it varies depending on the car model.
- The maximum load capacity is 5 bicycles. However, it varies depending on the car model.
(Drive the car at 50 mph/80km/h or less when 5 bicycles are loaded)

Product contents

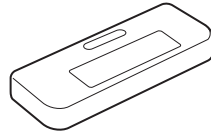
① **x4**



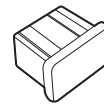
② **x4**



③ **x4**



④ **x4**



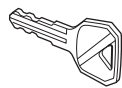
⑤ **x8**



⑥ **x1**



⑦ **x2**



⑧ **x1**



⑨ **x1**

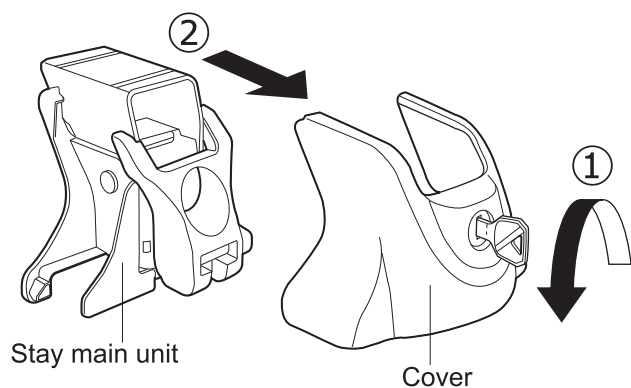


⑩ **x1**



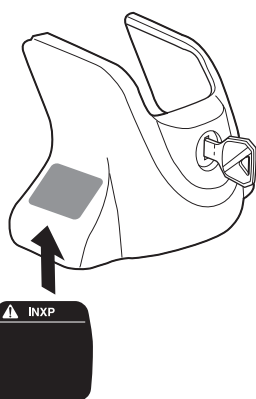
No.	Parts
①	Stay main unit
②	Base Unit
③	Base Cover
④	Bar Cover
⑤	Installation bolt (M6X15)
⑥	Hex Wrench (B=4)
⑦	Key
⑧	Specification sticker
⑨	INNO Common Installation Instructions
⑩	INXP Installation instructions

1. Preparation for installation

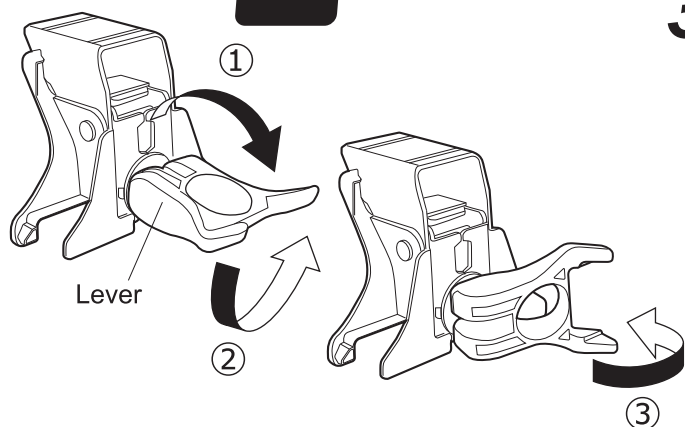


1 Unlock and remove the cover.

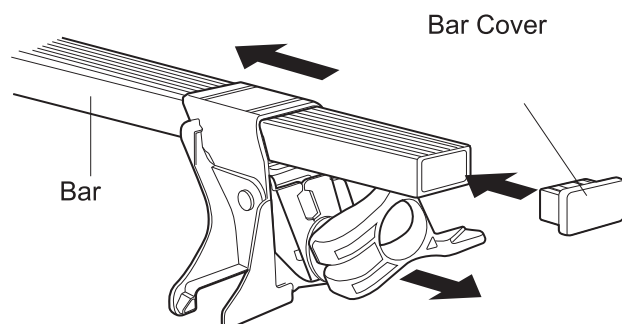
2 Affix the specification sticker in the relevant language on the cover. (on one of any stay)



3 ① Open the lever ② Rotate the lever 90 degrees
③ Fold lever inwards



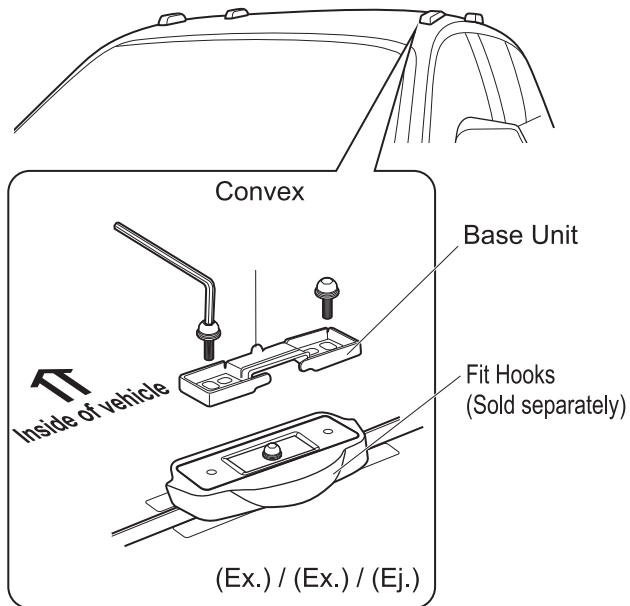
4 Pull the lever, insert the bar through the stay main unit and insert the bar cover.



 **Note** The bar surface with 8 grooves faces up.

5 Prepare the other side in the same way.

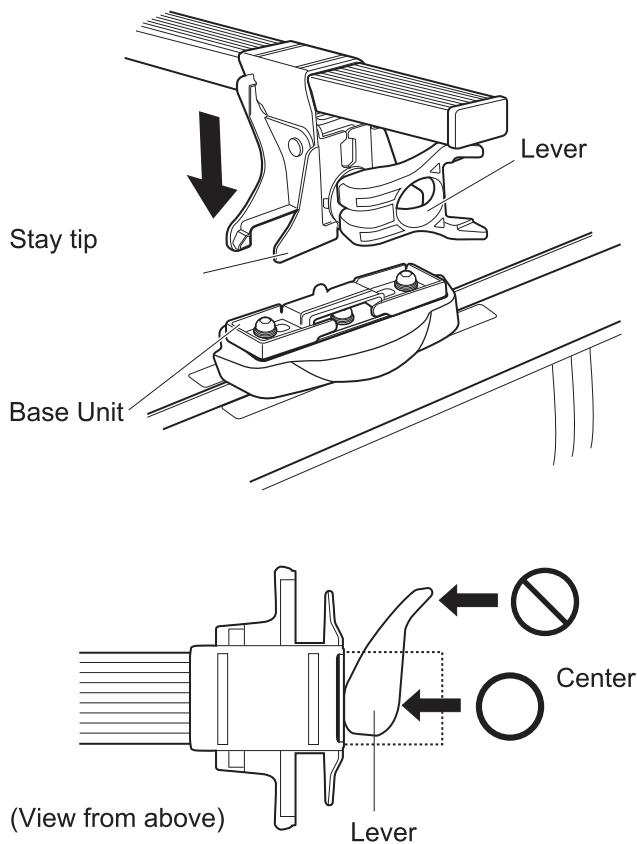
2. Mount the base unit.



1


Mount the base unit in a way that the convex section is on the inner side of the vehicle. Mount the base unit according to the vehicle-specific installation procedure listed in the mounting hook installation instructions.

3. Mount the stay base unit.

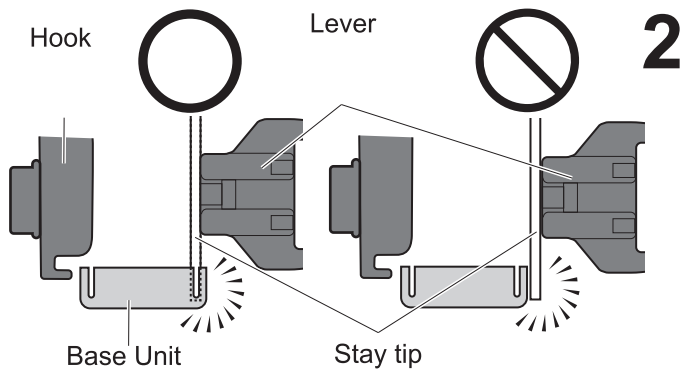


1

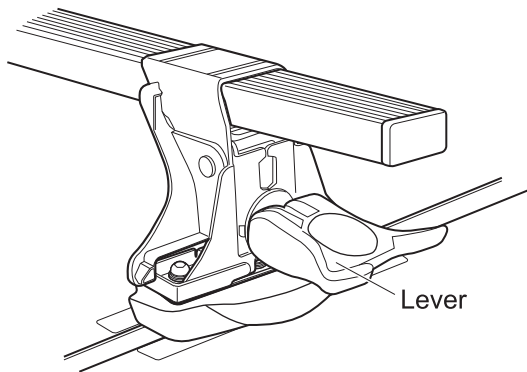
With the lever facing sideways, place it on the base unit while pressing the center of the lever.

 **Note** Placing on the base unit while pressing the center of the lever, makes the hook open completely, therefore making it easy to insert.

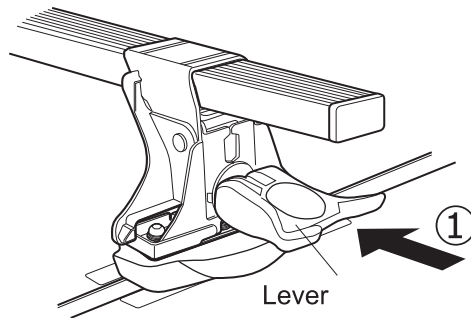
3. Mount the stay base unit (Cont.)



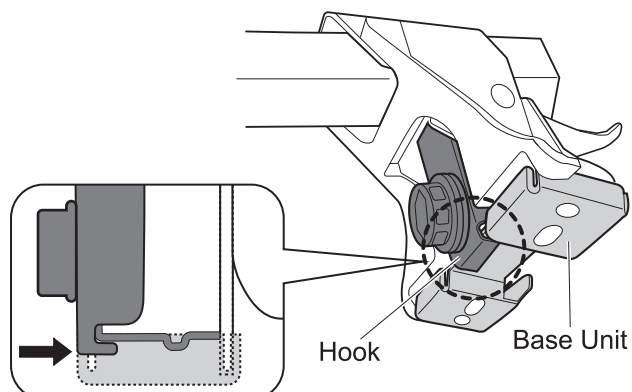
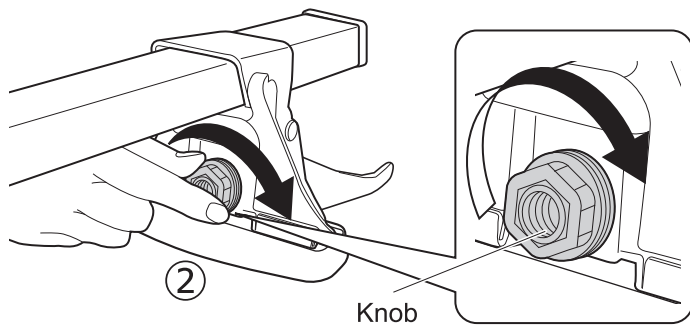
2 Make sure that the stay tip is inside the base unit.



3 Open the lever.

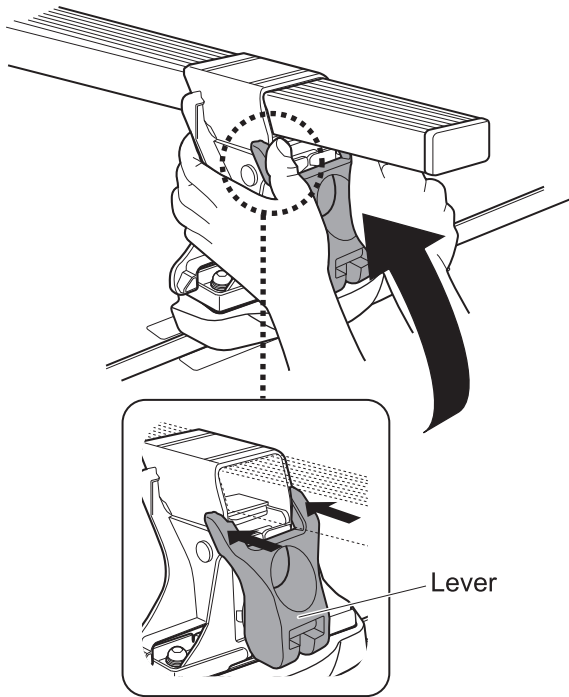


4 ① While pushing the lever ② Tighten the adjustment knob located on the back side until it stops





5 Make sure that the hook on the back side is securely attached to the base unit.

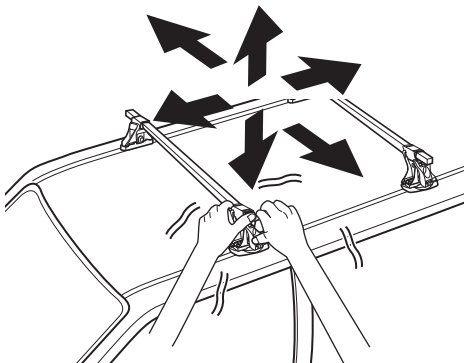
3 Mount the stay base unit (Cont)



- 6** Close the lever to secure.
Push the lever corner in with both thumbs.

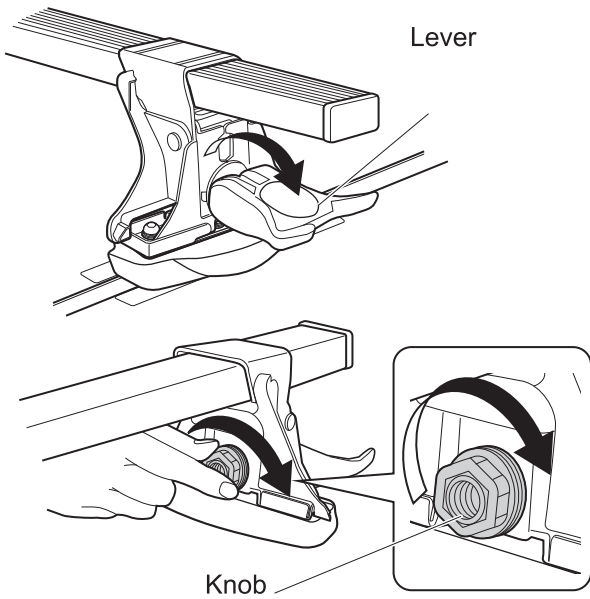
 **Precautions** Be careful not to pinch your fingers when closing the lever.

 **Note** When the lever is tight and difficult to close, loosen the knob in step 4 and close the lever again.

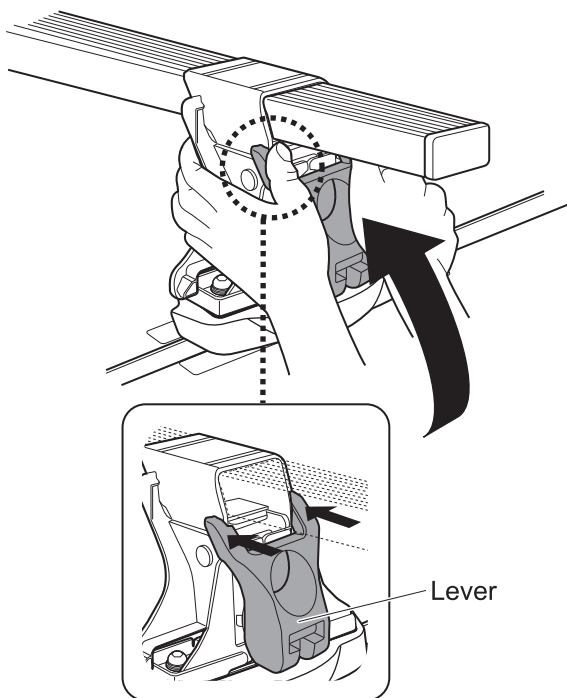


- 7** Shake the rack in all directions to make sure that it is securely fastened, if loose adjust the knob accordingly.


3. Mount the stay base unit (Cont.)

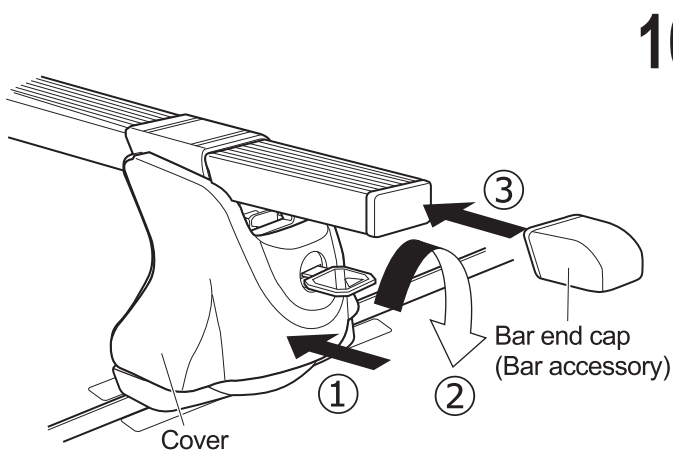


- 8** To secure the initial fit, while pushing the lever, tighten the adjustment knob located on the back side until it stops.



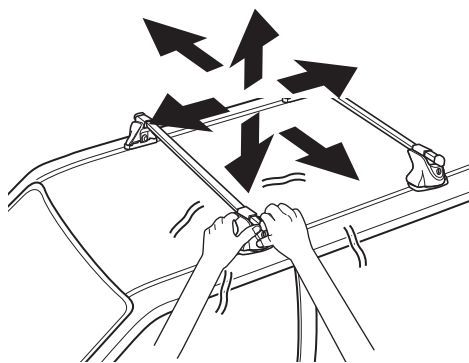
- 9** Close the lever to secure.
Push the lever corner in with both thumbs.

 **Precautions** Be careful not to pinch your fingers when closing the lever.



- 10** ① Place the cover and ② lock.
③ Put the bar end cap on.

4. Confirmation after mounting



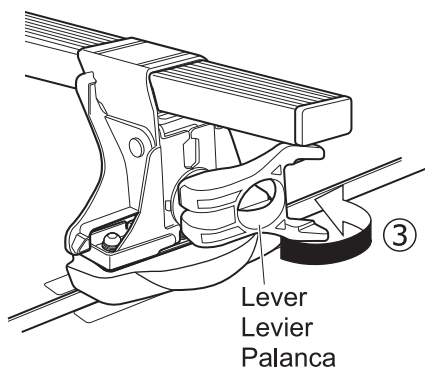
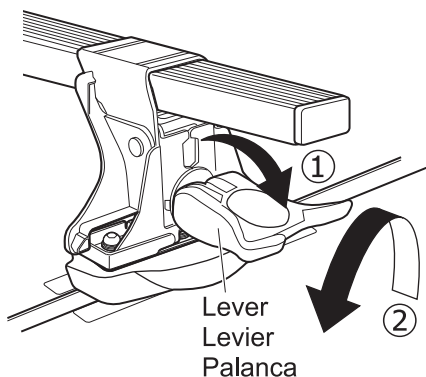
1

Shake the rack in all directions to make sure that it is securely fastened, if loose adjust the knob accordingly.
(Should rattle be heard, repeat **3**-4 to 6.)

5. How to remove from the vehicle.

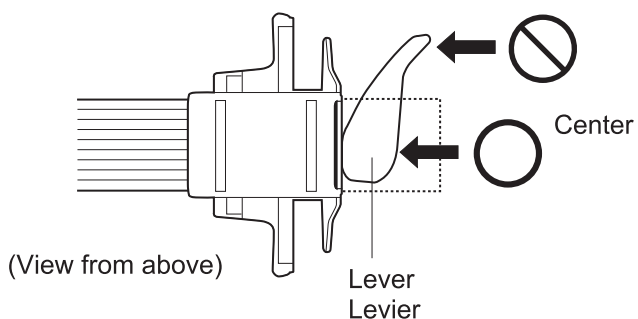
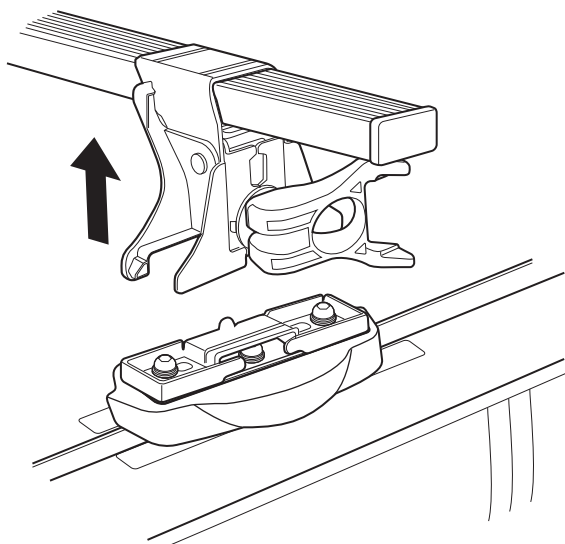
1

- ① Open the lever
- ② Rotate the lever 90 degrees
- ③ Fold lever inwards



2

With the lever facing sideways, lift the lever up while pushing the lever center to remove from the vehicle.



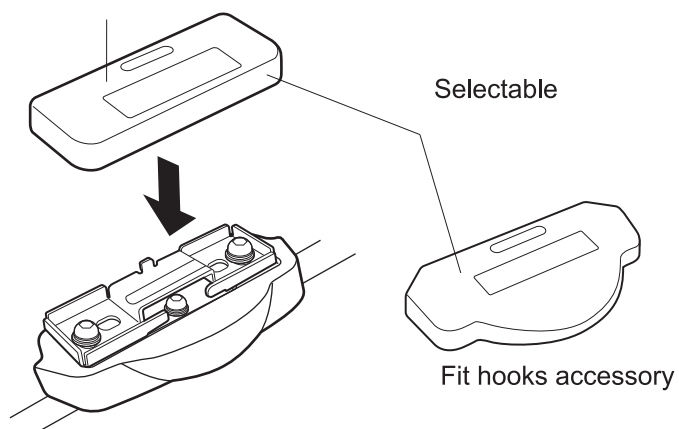
Note -Removing without turning the knob on the back side makes the knob adjustment unnecessary when remounting.
-Pushing the lever center makes the hook open completely, making removal easier.

5. How to remove from the vehicle (Cont.)

Base Cover

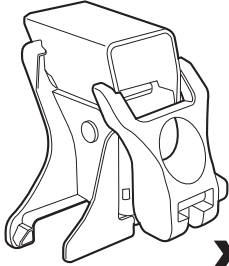
3

After removing the stay and bar, only the base unit remains on the vehicle. Attach the base cover to the base unit.



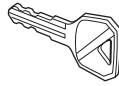
Repair parts

Please specify part name when ordering repair parts.



x1

ISP 894
Stay main unit



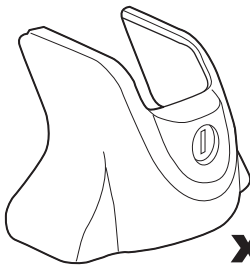
x1

Key



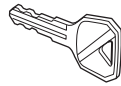
x1

INXP Installation instructions



x1

Cover



x2

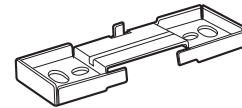
Key

(Key number is not changeable)



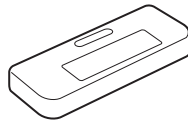
x4

ISP 999
Installation bolt (M6X15)



x1

ISP 857
Base Unit



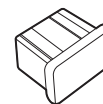
x1

ISP 858
Base Cover



x1

ISP 17
Hex Wrench (B=4)



ISP 79
Bar Cover