



EN

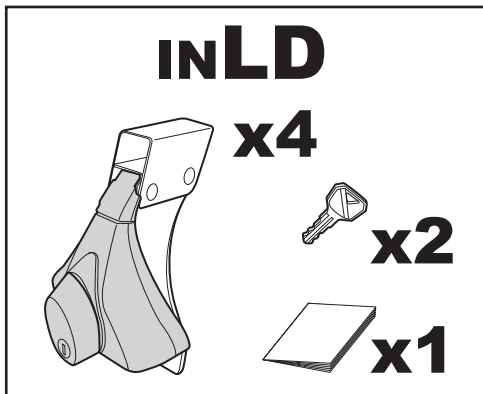
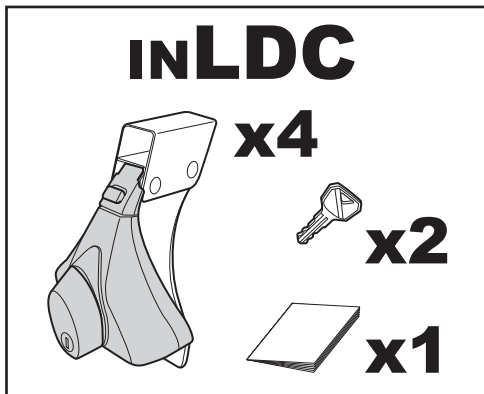
INLDC/INLD Installation Instructions

Before using this product, carefully read this installation instructions for proper use.

Please read the product specific installation instructions for other products. Keep this installation instructions in a safe place. If you are to give this product to a third person, provide him/her with this manual as well to ensure safe use.

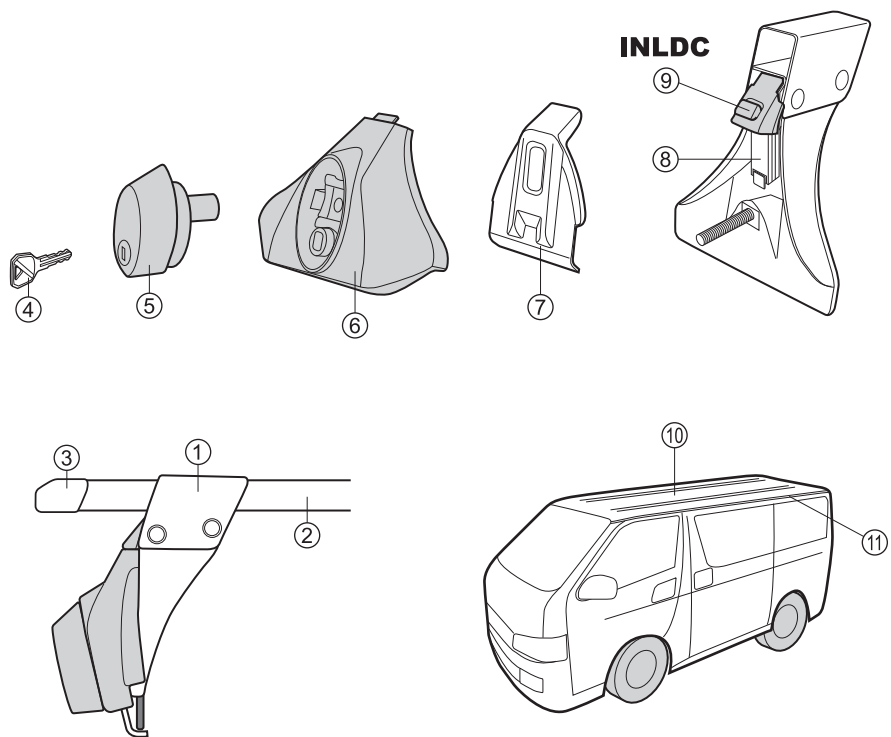
Content of Parts

Include the parts listed below. Verify that all of these parts are included in the carrier system you have purchased. In the event any of these parts is missing, contact us as listed at the end of this manual.



09/2014

Names of Parts



①	Stay
②	Bar (sold separately)
③	Bar End Cap (sold separately)
④	Key
⑤	Knob
⑥	Cover
⑦	Hook
⑧	Bar Fixing Lever
⑨	Checker (INLDC)
⑩	Roof
⑪	Rain Gutter

For Safety Use

In this instruction manual, matters of particularly importance are emphasized with symbolized codes. Followings are the list of codes and their meanings, used in the instruction manual.

- WARNING** Failure to follow this warning can result in serious accidents including death or serious injury.
- Precautions** Failure to follow precautions can result in injury, damage to the product, vehicle, or load.
- Note** Things that you should know are described in this section.

Please be sure to follow the following matters for safe usage of this product.

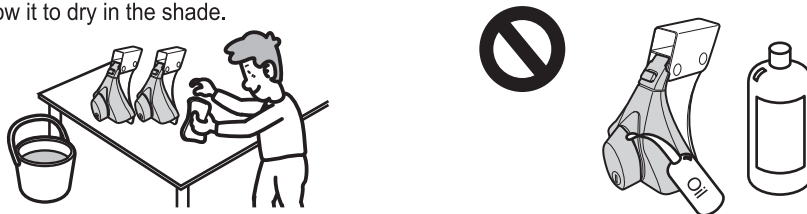
- Warning**
 - Installation location, load, and maximum load have been decided. Please check the product installation instructions for each product for details.
 - Do not modify this product.
 - Do not speed, make jack-rabbit starts or unnecessary sudden turns of the steering wheel, or slam on the brakes.
 - If you made a sudden turn of the steering wheel or slammed on the brakes, be sure to check the load and that the carrier is firmly mounted.
 - If you continuously drove the car at high speeds, drove at designated speeds due to inclement weather, or drove on rough roads, always confirm the load and carrier are secure.
 - If this product includes a key, always use the lock.
 - Obey the speed limit and operate the vehicle in a safe manner.
 - Prior to driving, check for loose bolts, etc.
 - Maximum load capacity varies according to car model. Be sure to check the chart that applies to your vehicle model.
 - This product is dedicated to INNO. Do not use this with other manufactures' products.
 - Always use an attachment to load.

- Precautions**
 - Perform carrier installation in a spacious, bright, flat, and stable location.
 - Do not operate the sunroof with the carrier mounted.
 - Do not use a car wash with the carrier mounted on the car.
 - Do not concentrate load only in one place.
 - Be careful not to damage the vehicle when installing this product to or removing it from the vehicle.
 - Do not apply oil or thinner (including paint) to this product.
 - With the carrier installed, the car height is higher, so drive accordingly.
 - Prior to installing the carrier, be sure that no dirt or dust is on the car.
 - USE WATER ONLY, when washing the product.

Maintenance

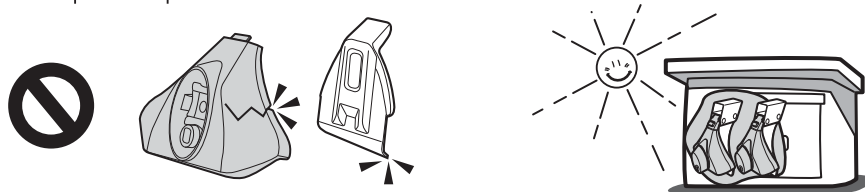
- 1 Wash off dirt and mud with water.
- 2 Wipe off dirt with a well wrung-out wet towel.
- 3 Allow it to dry in the shade.

Precautions
 -DO NOT lubricate Key and Bolts.
 -DO NOT apply thinner and/or solvent as they may damage plastics.



Care and storage

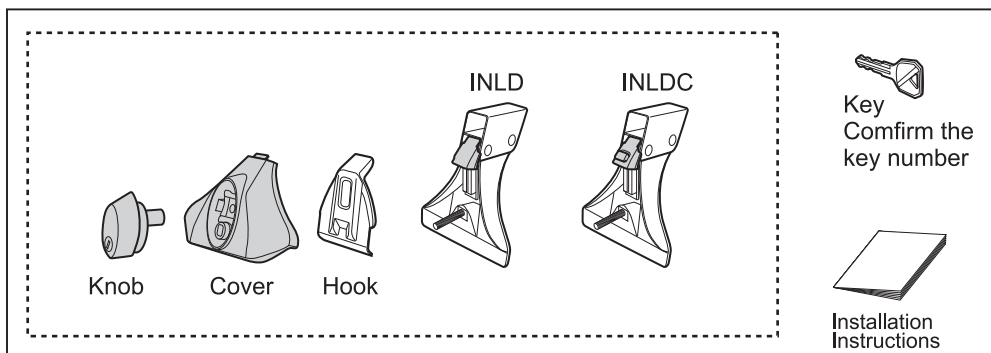
- 1 Clean the parts, and inspect each of the parts for abnormalities. If you discover any bent or damaged parts, discontinue use immediately and replace the parts.
- 1 Store in a covered, dry location away from sunlight.



Spare Part Information

The following genuine spare parts are available for this lock. If you require spare parts, take the part to the dealer where you bought the carrier, or order the necessary part using the part name listed below.

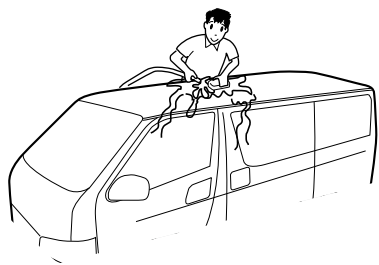
Note
 The specifications or external appearance of this product or any of the genuine spare parts may be changed for improvement without prior notification.



Preparation for Installation

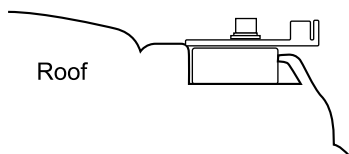
Preparation of Vehicle

Clean the roof of the vehicle, and remove any dirt or dust.



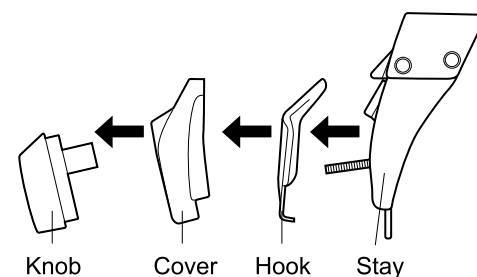
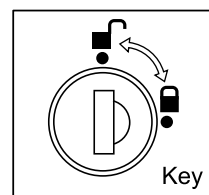
Preparation of Exclusive Parts

Carrier base must be installed first. Extra parts vary according to vehicle types. (Extra parts are sold separately)



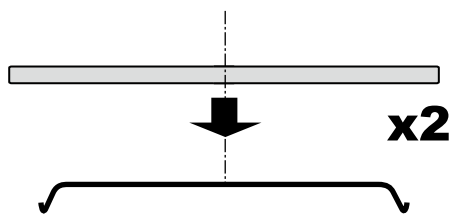
Preparation of Carrier

Unlock the knob to remove hook and cover from stay, before installation of carrier.

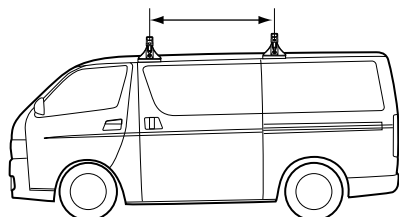


Installation

1 Make sure position of carrier on roof



Distance between front carrier and rear carrier must be more than 24 inch (600 mm). Longer distance for longer loading items.



1 Place bars on roof. Distance between bars must be more than 24inch(600mm).

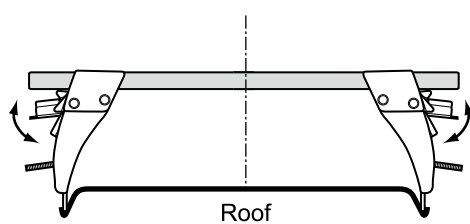
2 Both bars must be set parallel to each other. Position of bars vary according to vehicle type and potential loading items.

3 Make sure that center of bar and center of roof are a match.

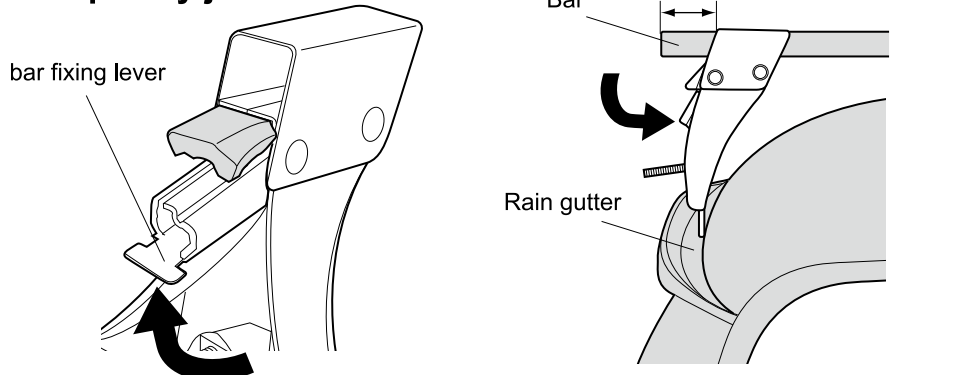
Note

Distance between front bar and rear bar varies according to loading items. Refer to Instruction Manual of attachment for details.

2 Fix distance between stays



Temporary joint



1 Set lever into releasing position, then put bar through the square hole of stay.

2 Make sure both ends of the bar extend out for more than 1 1/4 inch (30mm), then hold down bar fixing lever to apply temporarily.

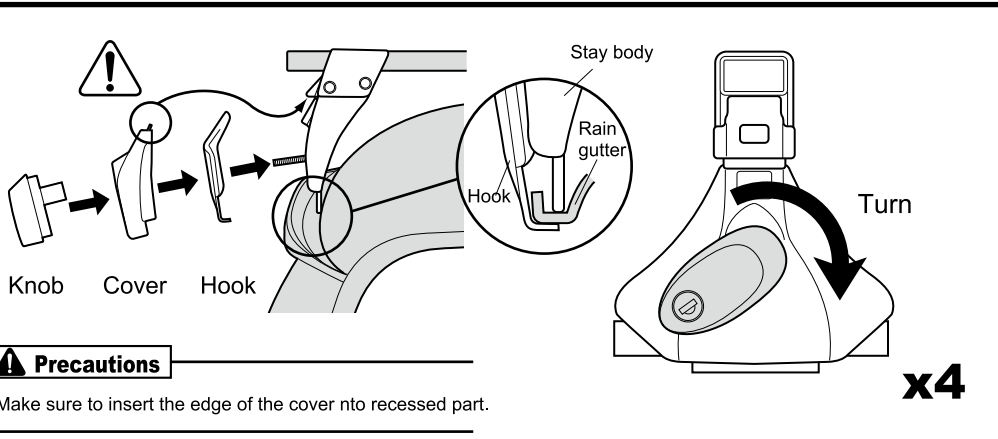
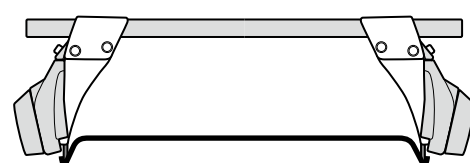
3 Attach other side of stay to bar, then place stay on rain gutter.

4 Release bar fixing lever, and be sure that center of bar and center of vehicle are a match.

Precautions

Length of both side of bar ends must extend out equally. If you need to set the bar in an offset position for loading items, be sure that the bar end does not extend more than the width of the vehicle.

3 Installation



Precautions

Make sure to insert the edge of the cover into recessed part.

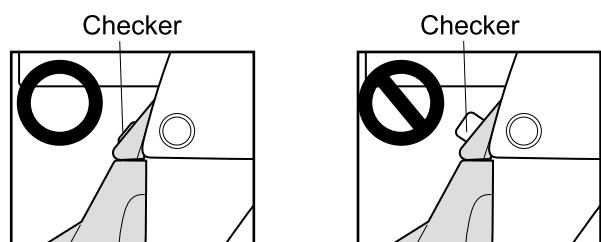
1 Make sure that stays are on the rain gutter so hooks can be securely applied. Slide hook, cover, then knob through the bolt to secure temporarily.

2 Turn knobs of driver side and passenger side alternately to securely tighten the stays. (For LDC, turn knob about 1-2 times after red mark of checker is hidden)

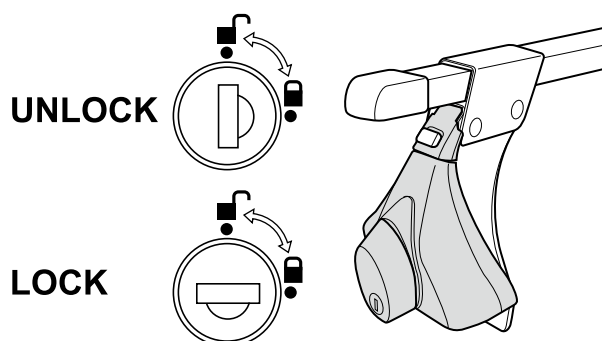
3 Shake stays and bars to make sure if they are fixed securely.

4 INLDC

Turn knob 1-2 times after red mark on the side of the checker is hidden.



5 LOCK



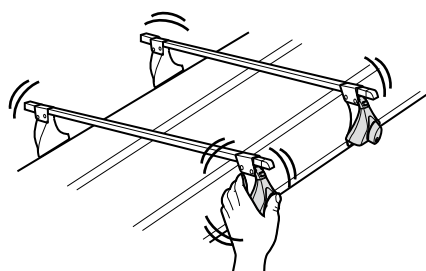
1 Press and set knob in cover, then lock it.

2 Attach Bar End Cap onto bar

Check Before Drive

Check Installation

Shake the carrier and equipment load in order to confirm that they are set securely. If there is any looseness, tighten the knobs again.



Uninstallation

1 Unlock to remove knob, cover and hook from roof

2 Unlock the bar fixing lever to remove stay and bar from vehicle.

Note

If bar fixing lever is too tight, use hook for leverage. Insert hook between bar fixing lever and stay to unlock lever.

