



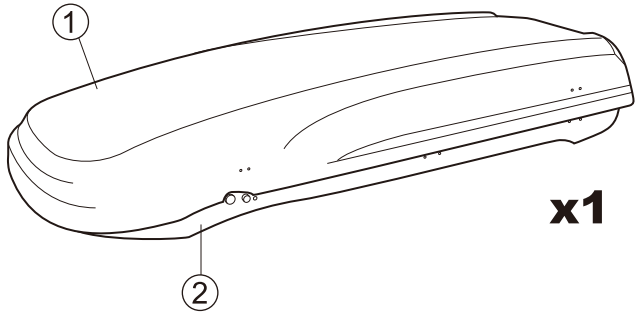


Before using this product, carefully read this instruction manual for proper use. Keep this instruction manual in a safe place. If you are to give this product to a third person, provide him/her with this manual as well to ensure safe use.

 Warning	Failure to follow this warning can result in serious accidents including death or serious injury.
 Precautions	Failure to follow precautions can result in injury, damage to the product, vehicle, or load.
 Note	Things that you should know are described in this section.

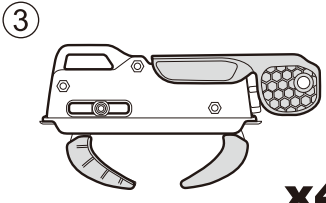
 Warning	Please be sure to follow the following matters for safe usage of this product.
<p>Be sure to fully read this installation instructions before installing the product to the specified position. Carefully read the Fit Guide, and use a compatible product. After loading cargo box and before driving the car, shake the rack in all directions, right and left, backward and forward, and up and down, to look for any rattling caused by improper installation. Keep the loading requirements as described in this instruction.</p>	

Product contents

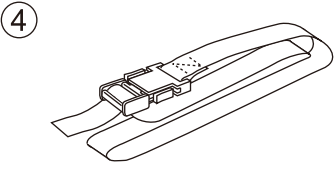


x1


①	Cargo box cover
②	Cargo box body
③	Memory mount (Installation hardware)
④	Belt
⑤	Belt hook
⑥	Key
⑦	Installation instructions



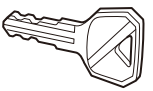
x4



x2

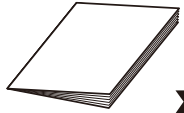


x2



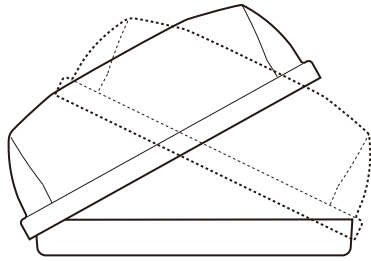
x2

⑦




x1

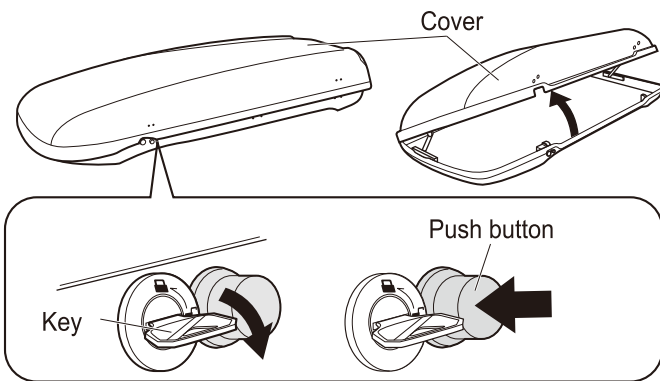
1 Opening and closing



Dual open (Open / close from either side)

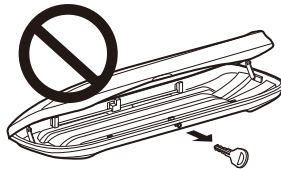
1 Insert the key into the key cylinder and turn the key 90° in the  direction.

2 Lift the cargo box cover up to open completely while depressing the push button.



Note

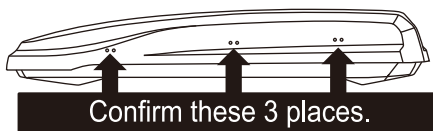
The key cannot be pulled out while the cover is open. To pull out the key, close the cover first, then turn the key and remove it.



Precautions

Note that the cover may suddenly close if the cover is not fully opened.

3 Securely lock latches in 3 places after closing the cover.



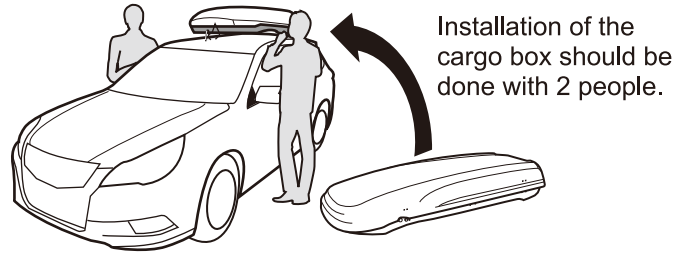
Note

If the cover catches against something or is difficult to open, do not force it to open. Close the cover, then lift it again making sure that it remains level.

Precautions

Do not open the left and right side covers simultaneously. Always make sure to close one side completely before opening the opposite side.

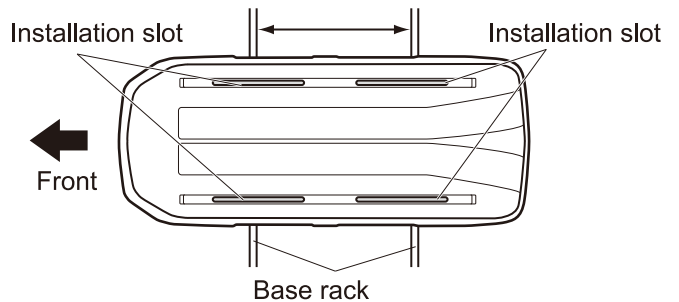
2 Deciding the installation position of the Cargo Box



1 Confirm that the base rack is correctly installed, and temporarily place the cargo box on the base rack.

2 Open the cover, and move this product backward and forward, left and right to adjust so that the base rack is positioned under the installation slots.

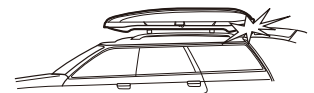
24 inch (600mm)~34 inch (860mm)
(24 inch 600mm~38 inch 960mm ※When using BRP12)



3 Before installation, open the trunk fully to ensure it does not touch the cargo box. If it does, change position of either the cargo box or the base rack.

Note

Some vehicle types have specific installation positions of the base rack, and touching the trunk is unavoidable. Open the trunk carefully not to damage the cargo box.



Precautions

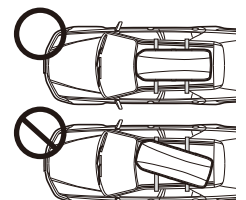
Make sure the distance between the base racks is more than 24 inches (600 mm). If the distance is too narrow, too much pressure will be exerted on the cargo box, which may cause it to fall off the vehicle.

Note

If you can adjust the distance between the front and rear base racks, a distance of approximately 32 inches (800 mm) will stabilize the box and will also reduce the load concentration on the vehicle.

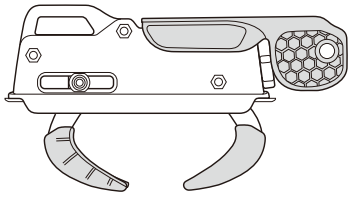
Precautions

Make sure to install the cargo box so that it runs parallel with the direction of the vehicle.



3 Installing

Dimensions of installation hardware



Before installation, adjust hooks with the crossbar.

Mountable bar dimensions



H : 3/4" ~ 1 3/8"

T1: Distance to the roof
Allow minimum 2 1/8"

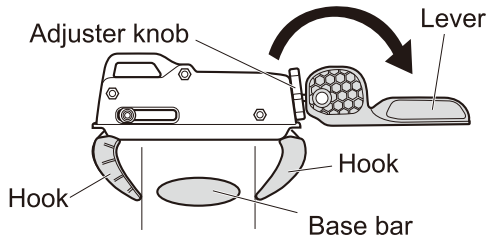
T2: Allow minimum 1"

This cargo box is mountable onto genuine base racks and crossbars of the vehicle manufacturer, as well as the INNO crossbars. Make sure to install the base rack and/or crossbars securely.

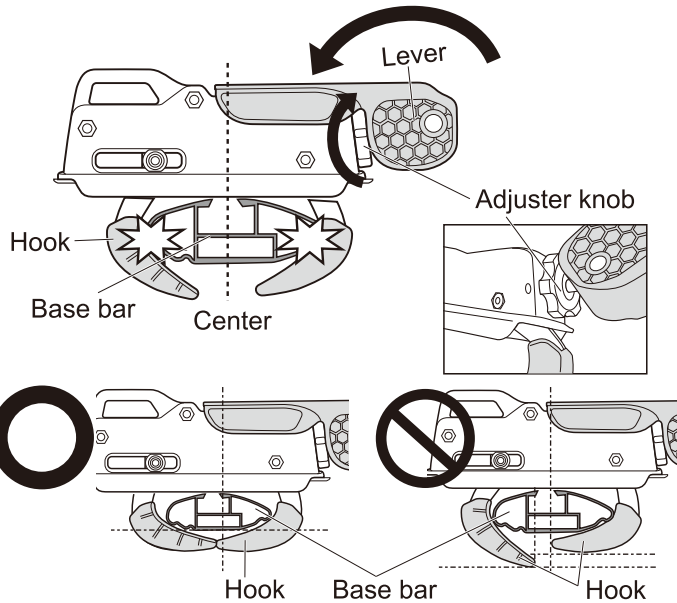
Warning

Check vehicle or base rack product instructions to confirm that the base rack to which this product is to be installed has sufficient strength to support this product. If the base rack does not have sufficient strength to support this product, do not install.

- 1 Open the lever to hold the base bar between the hooks. If the space between the hooks is too small, make the space wider with the adjuster knob.



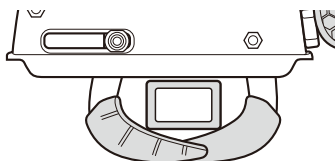
- 2 Close the lever. Turn the adjuster knob as the arrow indicates (or clockwise) to align the centers of both hooks and the base rack.



Precautions

If the height of the 2 hooks differs, the hook center will not match the base bar center. Check that hooks are symmetrically positioned. The hooks may loosen over time if they are not symmetrically positioned. Readjust the adjuster knob to tighten.

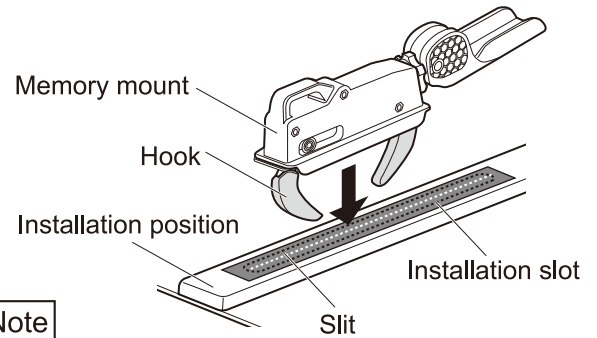
[When using a square bar]



Note

When the square bar is placed, keep the tips of the hooks as close as illustrated.

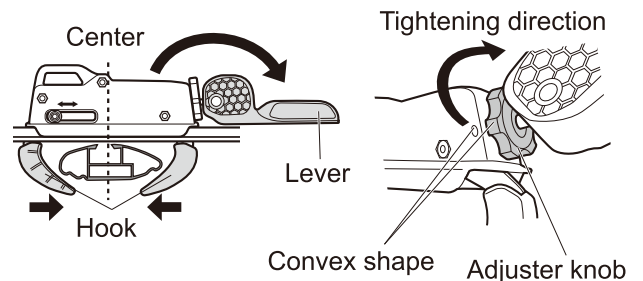
- 3 Insert the adjusted memory mount into the installation slot and position in a way that the base bar is between the hooks.



Note

The insertion direction of the memory mount is not specified, but it may be restricted to the base bar position.

- 4 Open the lever, and rotate the adjuster knob to the direction indicated by the arrow (counter clockwise) by about 2 turns to make the hook space narrower. Confirm that the base bar center matches the center between hooks, close the lever to securely tighten. If the lever is loose, rotate the adjuster knob more. If the lever is too tight, reverse the direction of the adjuster knob and securely tighten.



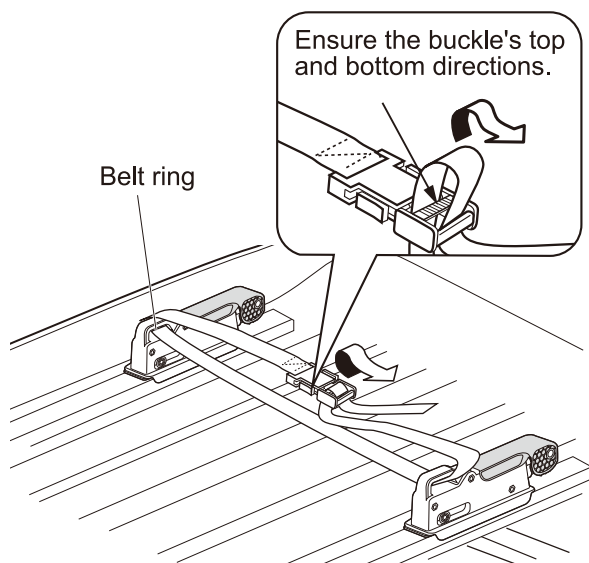
Note

Adjuster knob has a convex shape to indicate how many turns are made. Depending on the shape of the base bar, make more or less turns to tighten the hooks.

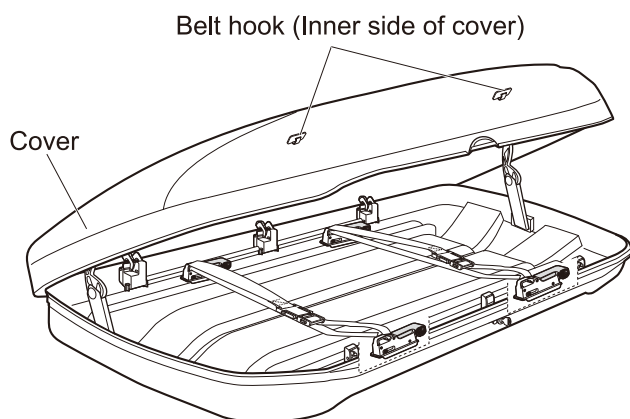
- 5 Fix the remaining 3 places in the same procedure.

4 Installing the belt

1 Pass the belt through the belt rings, and pass it through the buckle.



2 Paste the belt hooks onto the upper inner side of the cover, in a position that the belt can be hooked easily onto the inner side of the cover.

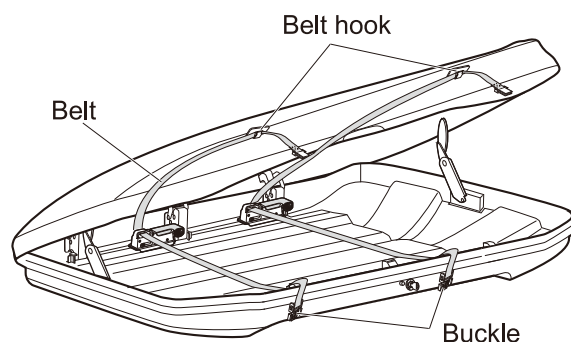


Note

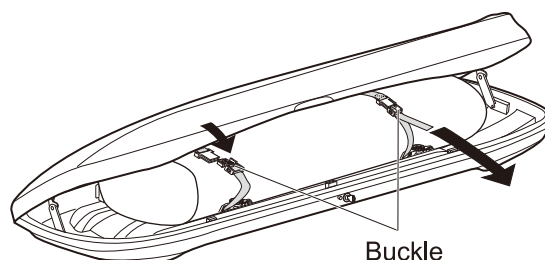
After pasting the belt hooks, leave them for 24 hours without hooking of the belts for better adhesion.

5 Loading your items

1 Remove the belt buckles and hook the belts on the belt hooks.



2 Remove the belts on the belt hooks, insert them into the buckles and fasten.

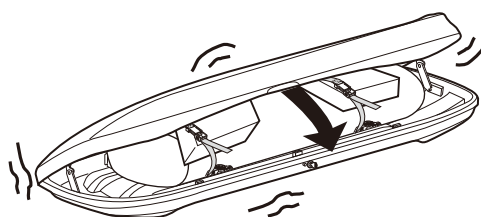


Warning

Make sure that the items inside the box are securely fastened with the belts while driving.

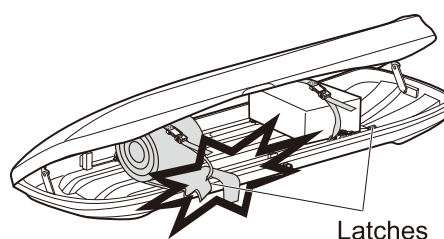
Precautions

Do not close the cover forcefully when the box is overloaded. This may cause the cover not to close firmly, and the cargo box and/or the items may be damaged.



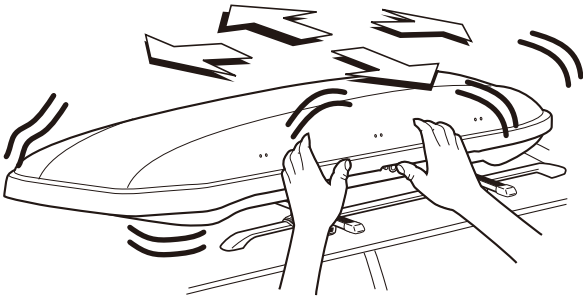
Precautions

Do not let the items become caught in the latches when closing the cover.

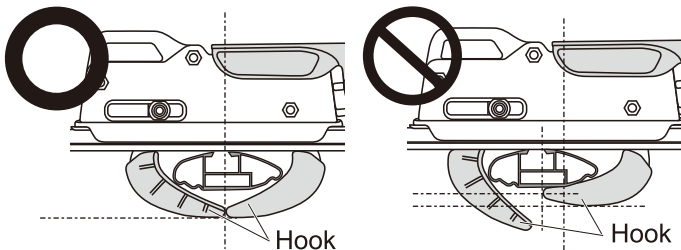


6 Checking before driving

1 Shake the cargo box in all directions, right and left, backward and forward, and up and down, to look for any rattling caused by improper installation. If you hear or feel rattling, tighten all installation sections again.

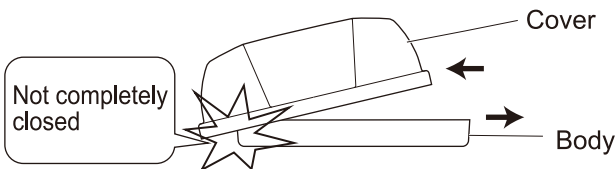


2 Make sure that the memory mount hooks are symmetrically positioned. If the center between hooks matches the base rack center, they are correctly positioned.

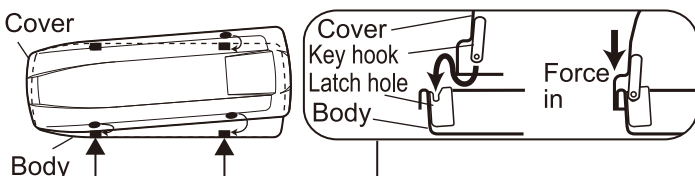


7 When the cover comes off

When latches on one side are not completely closed and the other side is opened by mistake, the cover may open from the body. In that case, return it to the original position in accordance with the following procedure.

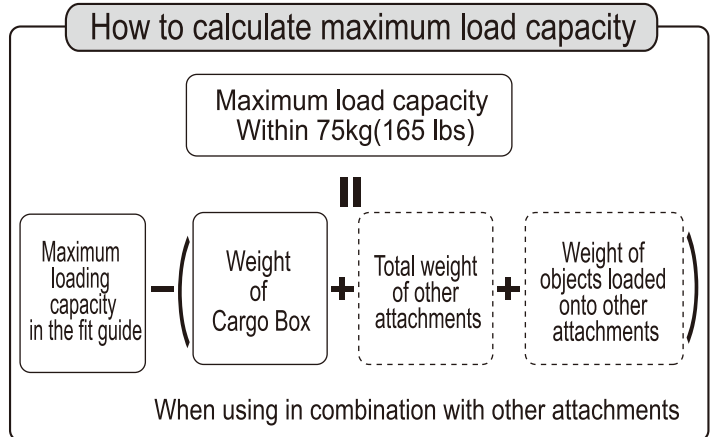


- ① Remedy the cause for the latch not closing, such as overloading, a jammed foreign object, etc.
- ② Adjust the cover and body position to fit the key to the latch hole.
- ③ Forcibly push down the latch until it clicks.



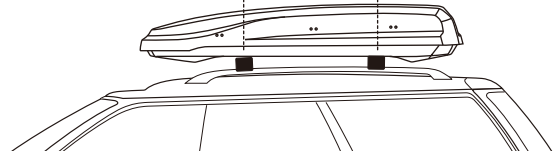
8 Maximum load capacity

How to calculate maximum load capacity



Maximum load capacity:
75kg(165 lbs)

Front	Center	Rear
15kg (33 lbs)	40kg (88 lbs)	20kg (44 lbs)



Maximum load capacity: 75kg(165 lbs)
Load items flat and evenly. Especially, do not place cargo exceeding 15kg(33 lbs) on front side.

Note

Loading more than 75kg(165 lbs) and/or loading items unevenly may lead to damage to, and/or separation of the cargo box.

There may be varied maximum load limitations depending on the make and model of vehicle. Consult the fit guide in your local store for any additional limitations.

9 Warning • Precautions

⚠ Warning

Observe local speed limit



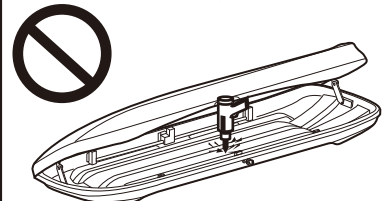
When driving with items loaded, observe the local speed limit. Reduce your driving speed in strong winds and bad road conditions.

Close the cover securely



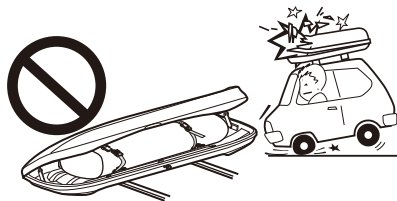
Close the cover securely. Failing to do so may cause the cover to open while driving, and the cargo box to be damaged and/or to fall off the vehicle roof due to wind pressure.

Do not modify this product



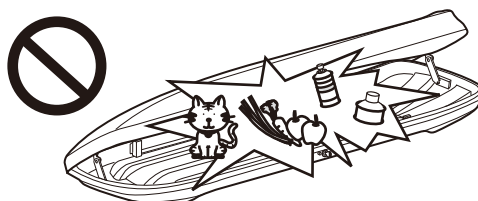
Do not alter the product by drilling holes., etc.

Fasten items with belts



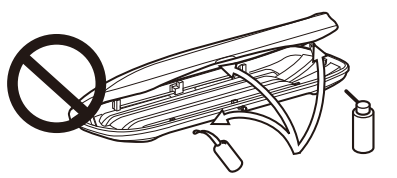
Make sure that the items inside the box are securely fastened with the belts. Failing to do so may cause the loaded items and the box to be damaged, or the items to fall out of the cargo box during sudden braking.

Do not load these items



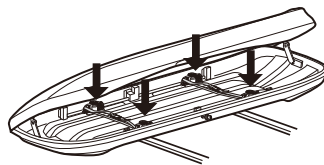
1.Spray cans containing high pressure gas. 2.Flammable liquids such as gasoline, paraffin, etc.
3.Precision mechanical equipment 4.Living creatures (pets, etc.) 5.Raw materials (vegetables, etc.) 6.Burning charcoal, a hot barbecue plate, etc. Temperature of the inside of the cargo box may become increase due to direct sunlight. Loading these items may lead to explosion, fire, death through dehydration, damage/deformation due to heat, or decomposition.

Do not apply oil or thinner (including paint) to this product.



Using any type of lubricating spray, oil, grease, thinner, or detergent may cause the cargo box materials to deteriorate, which leads to damage to and separation of the cargo box. Do not apply oil to the keys and hinge.

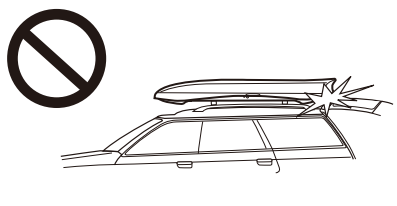
Check loose bolts/parts



Before driving, check the 4 installation locations for loose bolts/parts. Re-tighten them if any bolts/parts are loose.

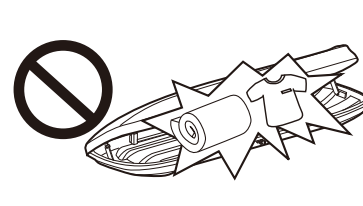
⚠ Precautions

Trunk (rear gate)



Make sure that the vehicle trunk (rear gate) does not hit the cargo box when opening.

Not fully water



The cargo box is not constructed to be completely waterproof. Loaded items may get wet due to strong rain.

Opening and closing during strong winds

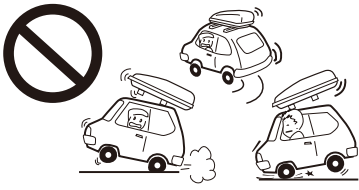


Opening and closing the cargo box during strong gusts or winds may cause the box to be damaged, or have your body trapped in the box, leading to injury.

9 Precautions

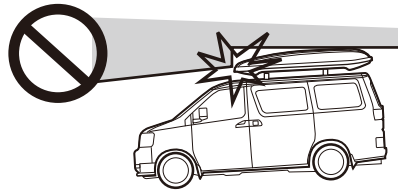
⚠ Precautions

Avoid sudden maneuvers



Avoid sudden starts, sudden turns, and sudden braking as much as possible. Such maneuvers may cause the mounting hardware of the cargo box and the rack to slide out of place, which may lead to damage to the vehicle or cargo box.

Vehicle height



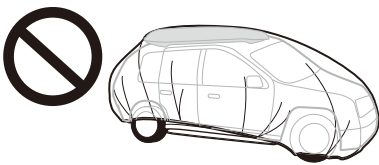
Always remember that the vehicle height has increased when the rack is installed.

Automatic car wash



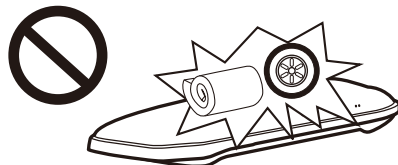
Remove the rack before using an automatic car wash.

Do not use a car cover



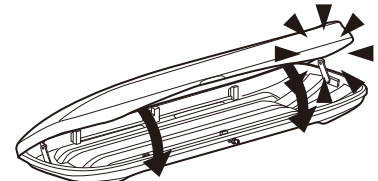
Do not use a car cover (including a cover for preventing paint splatter) with this product installed. The cargo box may deform due to weather conditions such as high temperatures.

No loading on the cover.



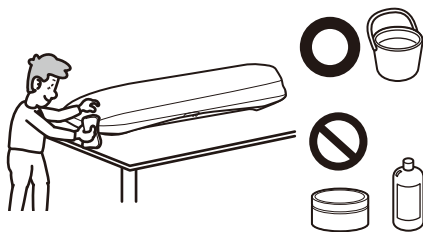
Do not place any items on this product. Doing so may cause cover deformation.

Do not force the cover in.



When closing the cover, do not force the cover inside. The cover may come inside the body.

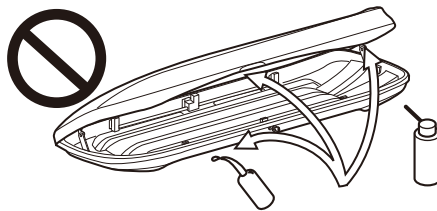
10 Daily Maintenance / Storage



If the cargo box becomes dirty, wash it with water.

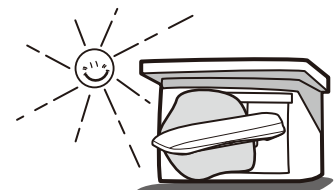
⚠ Warning

Do not use detergents and wax. When washing the cargo box, do not use detergents and wax. The cargo box materials may deteriorate depending on the type of detergent or wax.



⚠ Warning

Do not apply oil or thinner (including paint) to this product. Using any type of lubricating spray, oil, grease, thinner, or detergent may cause the cargo box materials to deteriorate, which leads to damage to and separation of the cargo box. Do not apply oil to the keys and hinge sections.



If you do not plan to use the cargo box for a long period of time, remove the cargo box from the vehicle roof, inspect every part of it, and store it away from direct sunlight.

📖 Note

Store in a cool place (avoid UV rays). The cargo box materials gradually deteriorate due to exposure to UV light. If you do not plan to use the cargo box for a long period of time, store it away from direct sunlight, high temperature, and high humidity.

Repair parts

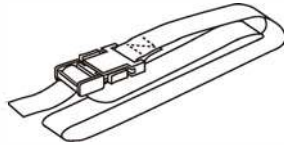
Please specify part name when ordering repair parts.

Note

Specifications and appearance of the rack system and genuine replacement parts are subject to change without prior notice in the interest of product improvement.



Memory mount



Belt

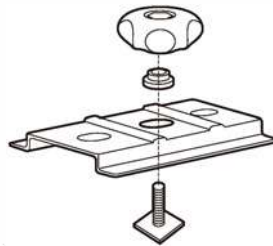


Key
Check the key No.

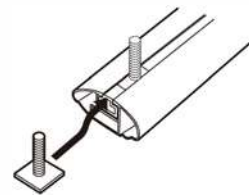


Installation Instructions

T slot adapter
This is an option only for the INNO aero bar installation box.



Installed image



Contact Information

We do not accept any liability for accidents, damage or injury caused by incorrect installation or use, modification, or natural disaster.



Learn more about roof racks and cargo carriers we have.