



Part number SES1989TT
2010-2011 Nissan 370Z
3.7L 6cyl.

1- 4 piece cat-back exhaust system

8- m10 hex nut (#6069)

8- m10 hex bolt (#6038)

4- 60mm gaskets (#6064)

1- 2 page instruction



Congratulations! You have just purchased the best engineered, dyno-proven [exhaust system](#) available.

Please check the contents of this box immediately.

Report any defective or missing parts to the Authorized Injen Technology dealer you purchased this product from.

Before installing any parts of this system, please read the instructions thoroughly. If you have any questions regarding installation please contact the dealer you purchased this product from.

Installation DOES require some mechanical skills. A qualified mechanic is always recommended.

Injen Technology offers a limited 1 year warranty to the original purchaser against defects in materials and workmanship. Warranty claims must be handled through the dealer from which the item was purchased.

Please check the contents of this box immediately.

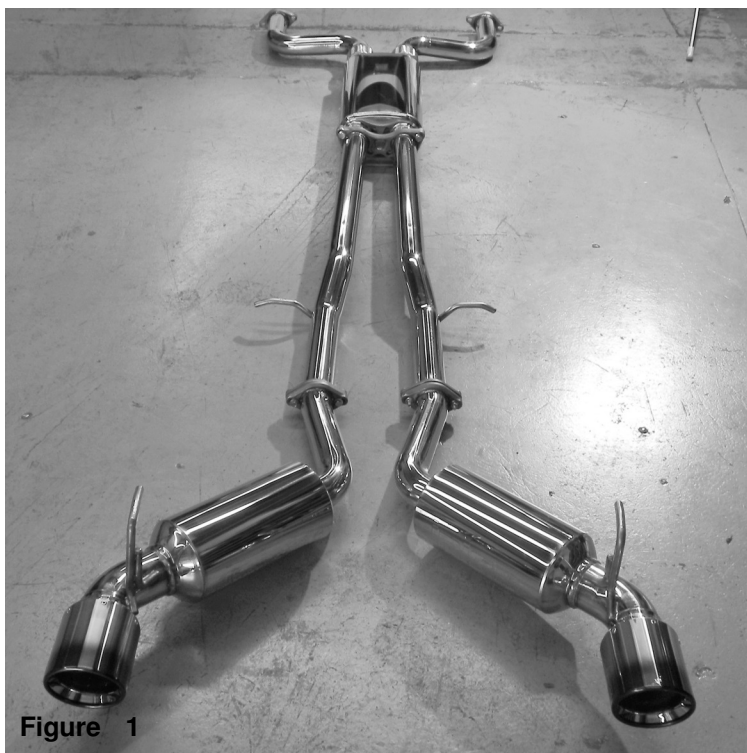


Figure 1

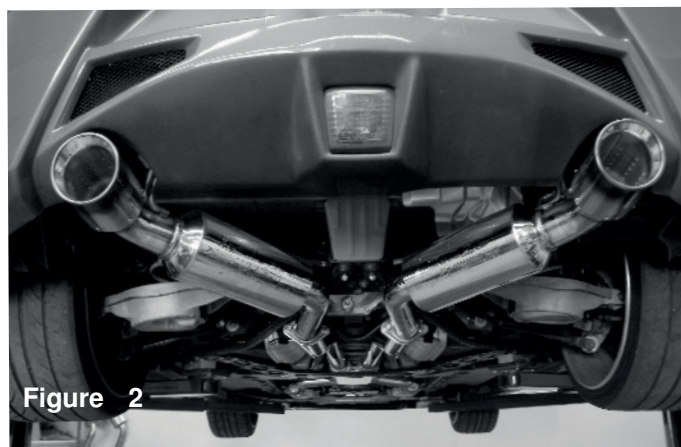
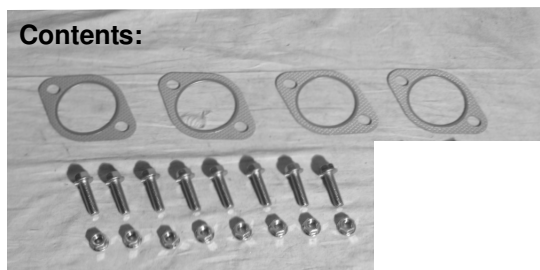
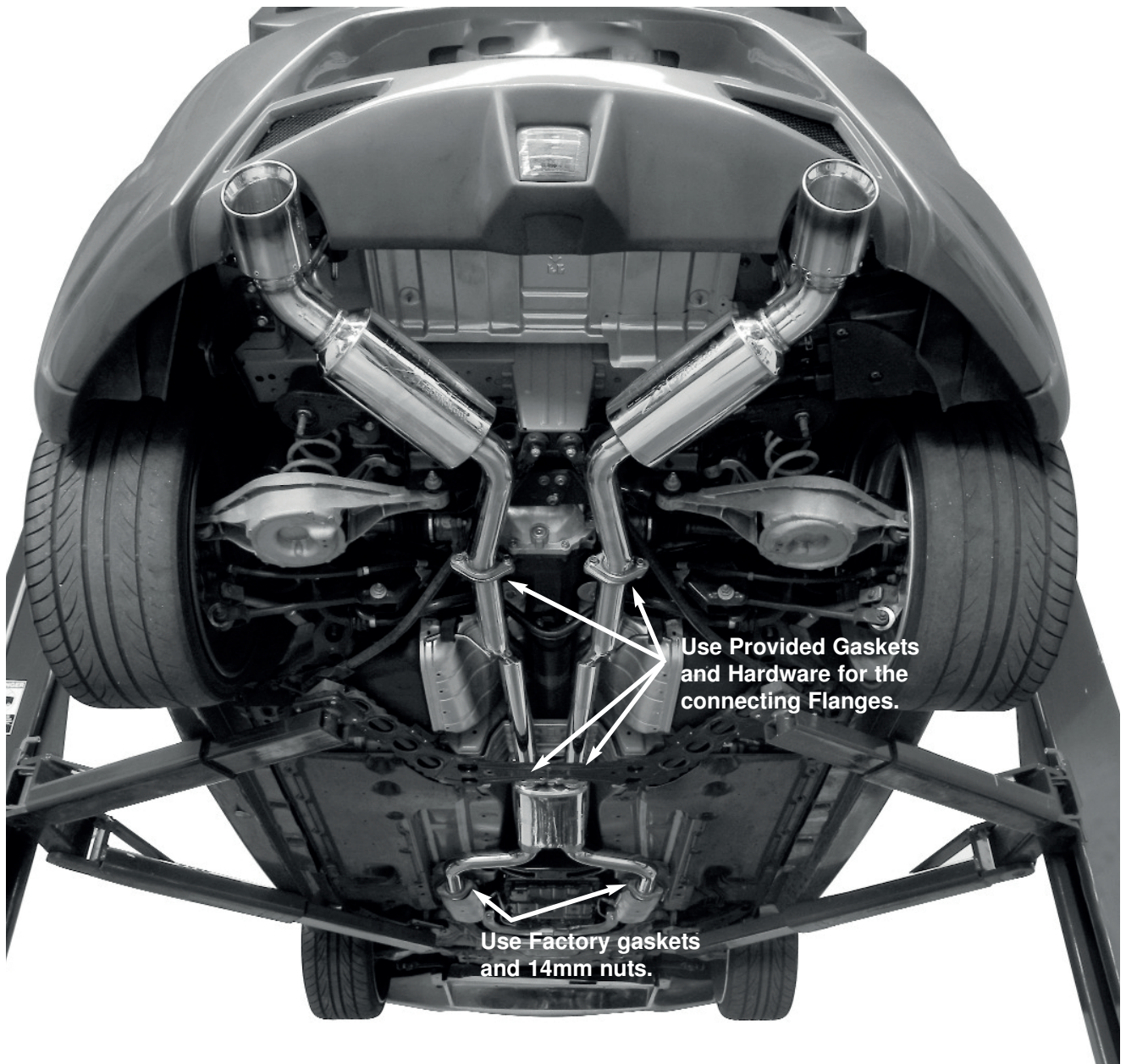


Figure 2



Step 1: Remove the factory Exhaust system using 14mm wrench or sockets. Save the 2 factory Gaskets at the Cats for re-use.

Step 2: Install the new Injen Exhaust sytem working from Cats to the end of the System.

Step 3: Position all hangers to Factory Rubber Isolators.

Step 4: Secure using new gaskets and hardware provided. Position if necessary and re-tighten.

Step 5: Tighten all hardware and check for clearance.

Congratulations! You have just completed the installation of the Injen cat-back exhaust system. Periodically, check the fitment of the exhaust system, the exhaust should always continue to hang in the same position.