



**IS2094**

**2000-05 Lexus IS300**

**3.0L 6 cyl.**

**2004-05 models not CARB approved**

- 1- Injen Intake system (SR)
- 1- **3" Injen/Amsoil Dry filter (#1017)**
- 1- **exhaust manifold heat shield (#SC2091) (#11005)**
- 1- **air scoop bracket (#2091) (#20013)**
- 1- 2.75" straight hose (#3043)
- 2- Power-Bands(.040)(.312) (#4003)
- 1- 11" 8mm vacuum hose (#3091)
- 1- m6 vibra-mount (#6020)
- 2- m6 flange nut (#6002)
- 2- fender washer (#6010)
- 1- m6 x m16 bolt (#6005)
- 1- m10 x m16 bolt (#6009)
- 1- instruction

**Note: The C.A.R.B Exempt sticker must be attached under the hood in a manner such that it is easily viewed by an emissions inspector**

**PRODUCT DISCLAIMER AND LIABILITY WAIVER:**

**THIS PRODUCT IS DESIGNED FOR OFF-ROAD or COMPETITION USE ONLY.**

Due to the removal of the factory air box assembly, which contains a Non-removable Hydro-Carbon Element. Any aftermarket intake system that removes the factory air box assembly are to be used for off-road use only. Please keep all OEM intake system components for future use.

**Congratulations! You have just purchased the best engineered, dyno-proven air intake system available.**

**Please check the contents of this box immediately.**

Report any defective or missing parts to the Authorized Injen Technology dealer you purchased this product from.

Before installing any parts of this system, please read the instructions thoroughly. If you have any questions regarding installation please contact the dealer you purchased this product from.

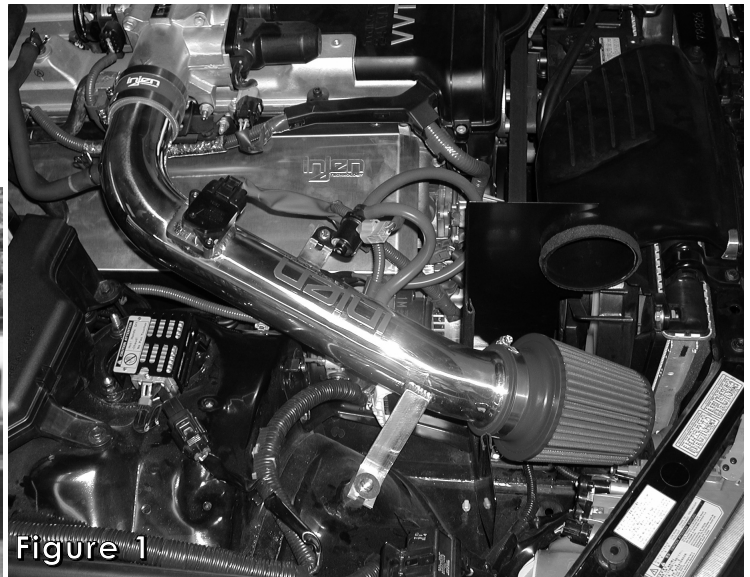
Installation DOES require some mechanical skills. A qualified mechanic is always recommended.

\*Do not attempt to install the intake system while the engine is hot. The installation may require removal of radiator fluid line that may be hot.

Injen Technology offers a limited lifetime warranty to the original purchaser against defects in materials and workmanship. Warranty claims must be handled through the dealer from which the item was purchased.

**Please check the contents of this box immediately.**

**Note: This intake system was Dyno-tested with an Injen filter and Injen parts the use of any other filter or parts will void the warranty.**



Relocate this grounded bracket by the firewall to the slotted end of the heat shield. The wing will fit into the slot then take the stock bolt.

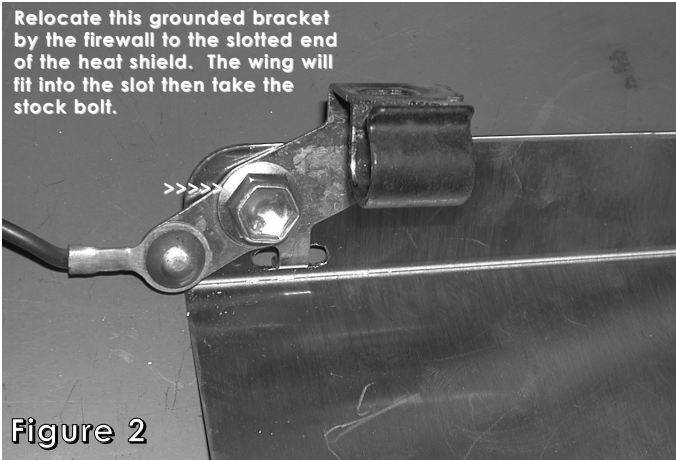


Figure 2

When the heat shield has been lined up to the hole patterns use the stock bolt to fasten the heat shield at the firewall end.



Figure 3

Remove the two m6 nuts located below the throttle body and harness. Align the holes on the heat shield and screw the stock nuts back in place.

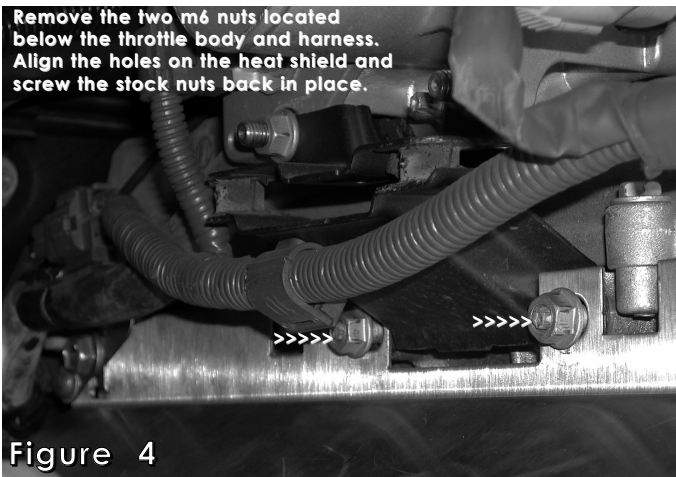


Figure 4

Use the m10 x m16 flange bolt to bolt the heat shield to the pre-tapped hole located in front of the engine block.

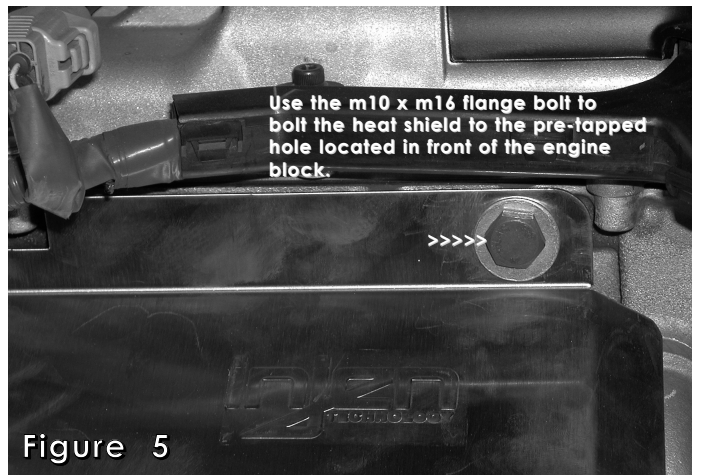


Figure 5

Place the 2 3/4" hose over the throttle body and use two clamps. Tighten the clamp on throttle body at this point.

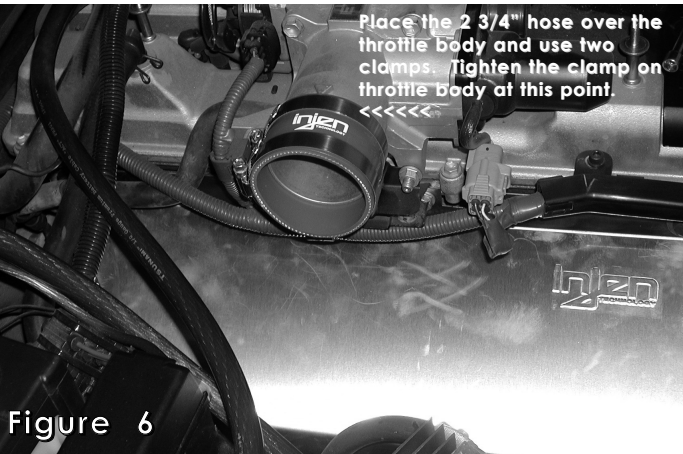


Figure 6

Screw the vibra-mount in place as seen in this picture.

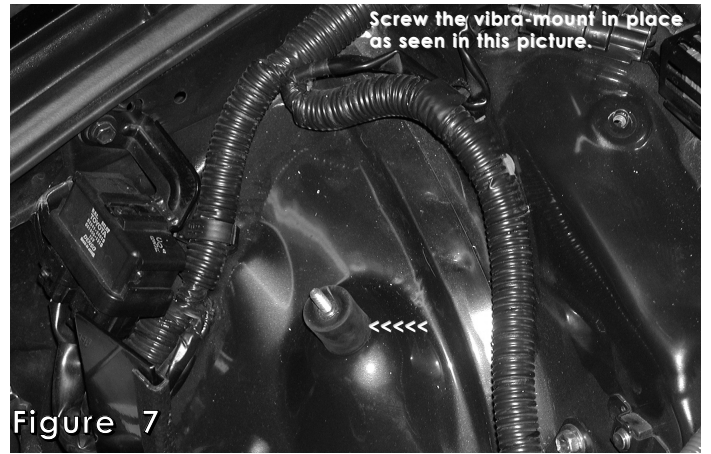


Figure 7

Take the S.S. bracket and stock bolt to fasten down the air scoop in place.

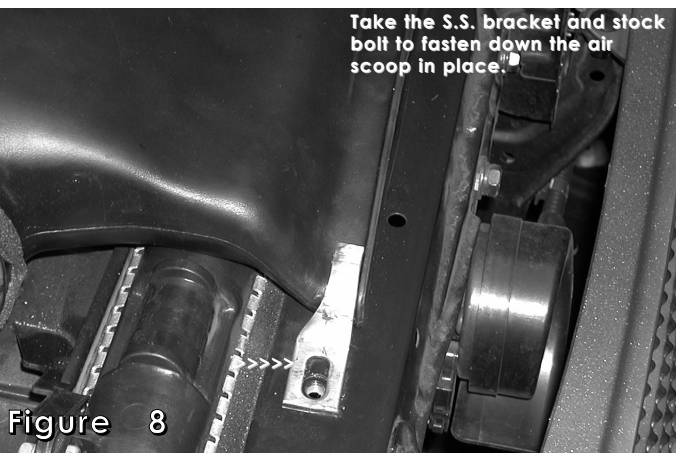


Figure 8

Press the 2 3/4" end into the hose on the throttle body. Align the bracket to the vibra-mount stud.

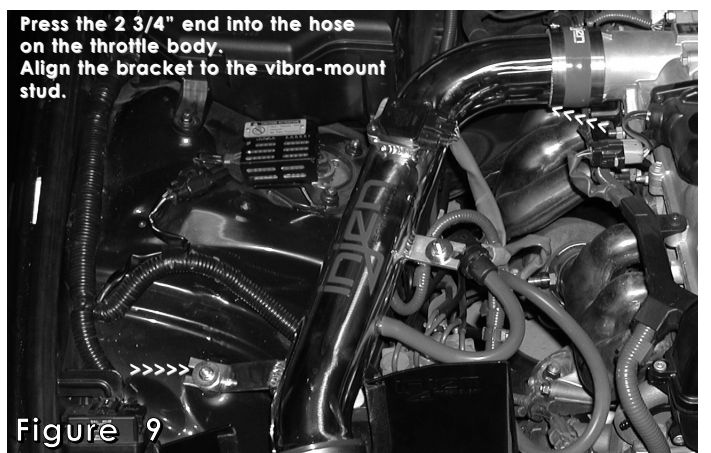
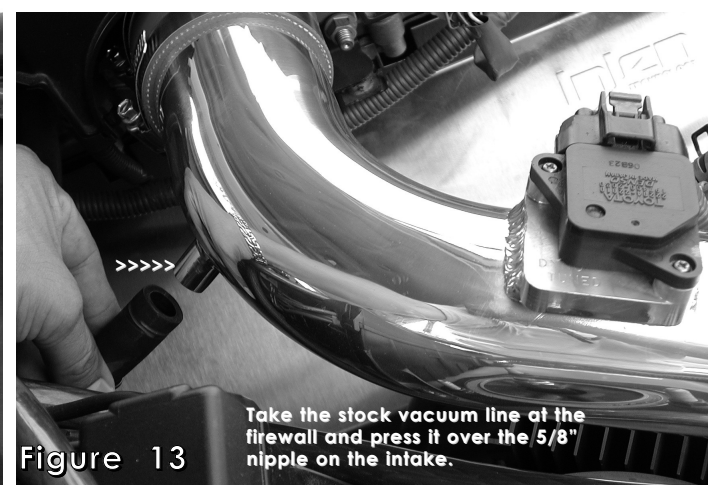
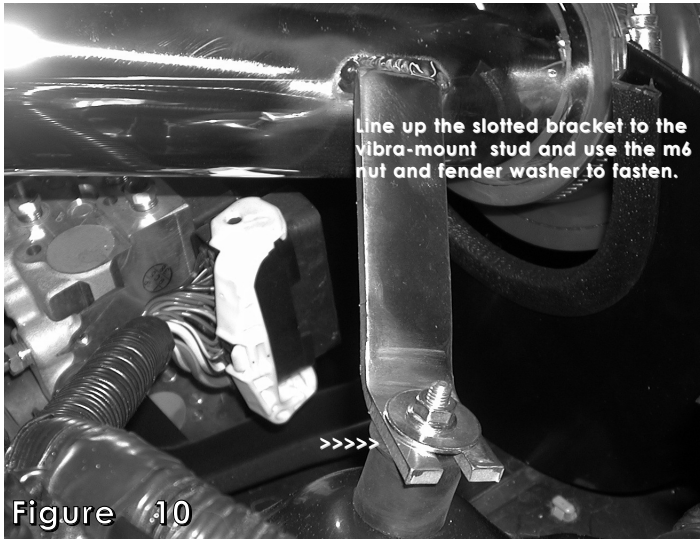


Figure 9



**Note: Disconnect the negative battery terminal before starting this installation.**

- 1- Remove the stock air intake box and air intake duct leading to the throttle body. Disconnect only the vacuum hose by the firewall. Remove the OBD canister from the air intake box but do not remove the vacuum lines at this point. You will also remove the air temperature sensor from the air intake box for installation later on.
- 2- Use an m14 socket to remove the bolt on the engine block by the firewall. Take the bracket holding the harness and place it on the slotted end of the heat shield. (See fig. 2)  
You may need to proceed to step 3 before attaching the harness bracket to the heat shield.
- 3- Remove the two m6 flange nuts under the throttle body and harness. Align the heat shield to the bolt pattern on the engine block and replace the two m6 nuts removed. (See fig. 4)  
Line up the stock harness bracket to the bolt hole and slot on the heat shield located by the firewall. (See fig. 3) Use the same stock m10 bolt to fasten the heat shield and bracket to the engine block. Take the m10 x m16 flange bolt in this kit to secure the last pre-tapped hole to the front of the engine block. (See fig. 5)
- 4- Align the heat shield for best possible fit and continue to tighten all nuts and bolts on the block.
- 5- Take the 2 3/4 straight hose and place it over the throttle body. Use two clamps and tighten the clamp on the throttle body at this point. (See fig. 6)

- 6- Take the vibra-mount and screw it in place by the strut tower mount. (See fig. 7)
- 7- Remove the m6 bolt by the air scoop and position the S.S. formed bracket in place. Replace the m6 bolt with the bracket and tighten down. (See fig. 8)
- 8- Take the Dyno-tuned intake and press the 2 3/4 end into the hose on the throttle body. Align the bracket on the intake to the vibra-mount stud and fasten the m6 nut and fender washer. Semi-tighten the m6 nut and clamp at this point. (See figs. 9 and 10)
- 9- Take the OBD canister and bolt it to the slotted bracket on the intake use the m6 x m16 bolt, nut and fender washer to complete this install. Once the OBD canister has been secured remove the stock line on the OBD canister and replace it with the 11 -8mm vacuum line. Only one vacuum line will be replaced. (See fig. 11)
- 10- Take the air temperature control sensor removed from the air box and plug it into the CNC machined adapter on the intake. Use the same self-tapping screws to fasten the sensor in place. Be sure to plug the harness clip into the air temperature sensor. (See fig. 12)
- 11- Take the stock vacuum line by the firewall and press it over the 5/8 nipple on intake located by the throttle body. (See fig. 13)
- 12- Take Injen filter designed for this application and press it over the end of the intake be sure to tighten the clamp. (See fig. 1) **Note: This filter was designed for this application any other filter used will change the air/fuel ratio causing the engine to shut down and or the check "engine light" to appear.**
- 13- align the intake for best possible fit. Once proper clearance has been made through out the length of the intake continue to tighten all nuts, bolts and clamps. Reconnect the negative battery terminal and check all connections for any possible air leaks or loose fittings. (See fig. 1)
- 14- Remove all tools and rags from the engine compartment prior to starting the engine.
- 15- Congratulations! You have just completed the installation.