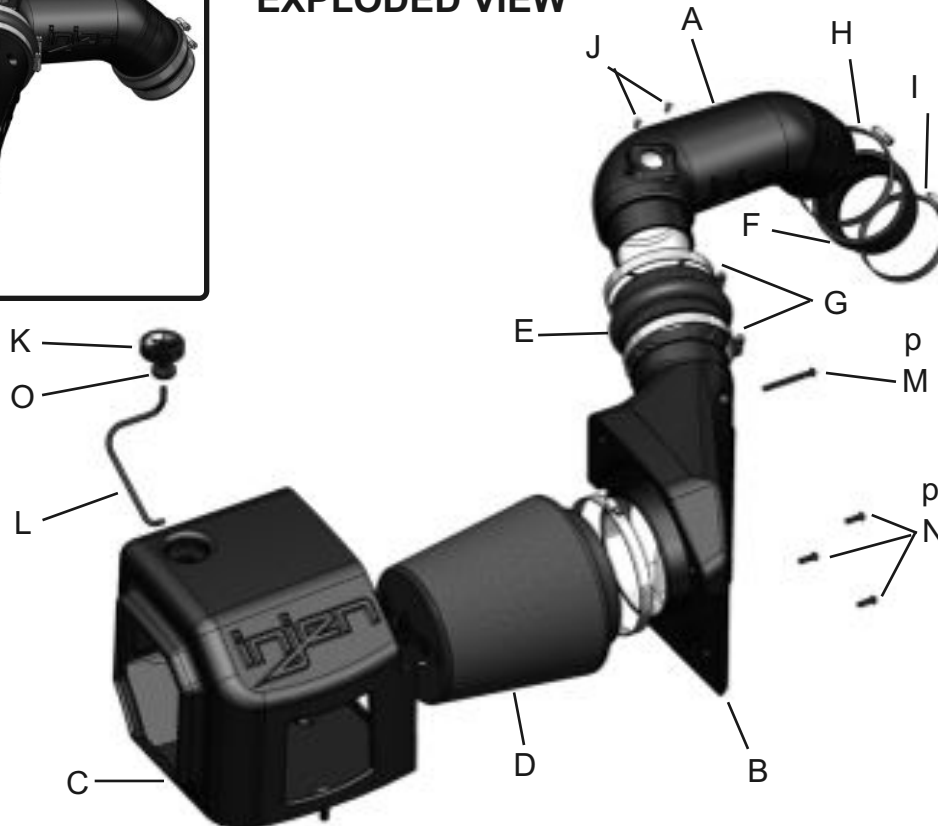




Vehicle Application:
 Make: **Chevrolet /GMC**
 Model: **Silverado / Sierra**
2500/3500
 Year: **2001-2004**
 Engine: **6.6L (TD) Duramax LB7**



EXPLODED VIEW



Item	QTY.	P/N	Discription
A	1	#15060	Rotomold Tube
B	1	#15053	Rotomold Plenum
C	1	#15051	Rotomold Box
D	1	#1068	6.00" Filter
E	1	#3200	4.50" Hump Hose
F	1	#3203	3.50"- 4.00" Step Hose
G	2	#4014	#72 Clamps
H	1	#4006	#64 Clamp
I	1	#4005	#56 Clamp
J	2	#6047	M4X10mm Button Head Bolts
K	1	#15040	Filter Minder
L	1	#3198	3mm-16" Vacuum Hose
M	1	#6095	M6X80mm Bolt
N	3	#6096	M6x30mm bolt
O	1	#8026	Grommet
P	4	#8047	1/2"OD rubber seal washer

TOOLS REQUIRED

- 10mm Ratchet & Socket
- 8mm nut drive
- Allen key
- Flat Blade Screwdriver
- Philllips Screwdriver

WARNING: FAILURE TO FOLLOW INSTALLATION INSTRUCTIONS AND NOT USING THE PROVIDED HARDWARE MAY DAMAGE THE INTAKE SYSTEM, ENGINE AND COMPONENTS!!!
***Do not attempt to install the intake system while the engine is hot.**
 Severe burn could result from touching hot engine components!

Report any defective or missing parts to the authorized Injen dealer you purchased this product from. Before installing any parts of this system, please read the instructions thoroughly. If you have any questions regarding installation, please contact your Injen Technology dealer. Installation DOES require some mechanical skills. A qualified mechanic is always recommended.

A Limited Lifetime Warranty to the original purchaser against defects in material and workmanship on all Injen intake systems excluding the filter element. Any and all warranty coverage is limited to the repair or replacement of the defective part only, at Injen Technology's discretion. The warranty does not cover incidental or consequential damages, nor does it cover the cost of installation or removal of the defective part or its replacement. Proof of purchase is required.

Instruction Manual P/N:EVO7000

NOTE: This intake kit may not work on vehicles with the following aftermarket modifications.

- Aftermarket Intercooler piping
- Aftermarket intercooler
- Turbo upgrade
- Modified body panels
- Suspension & Chassis modifications

Injen intake systems are street legal in most states unless the state is adopting to California Emissions standards. States that have adopted California emission standards include: Arizona, California, Connecticut, District of Columbia, Maine, Maryland, Massachusetts, New Jersey, New Mexico, New York, Oregon, Pennsylvania, Rhode Island, Vermont, and Washington. These states will require an California Air Resource Board Executive Order Number (CARB E.O.) for the legal use of an Injen intake system in your vehicle for use on public roads or highways. These vehicle will be considered "Legal in California only for racing vehicles competition use only, which may never be used upon a public street or highway. **Please keep your factory air box assembly for any future use.**



The SuperNano-Web filter media is a dry synthetic media that outperforms the competition. The media itself is a proprietary base blend of synthetics and cellulose. Cellulose fibers are larger than synthetic fibers, and have larger spaces between the fibers, causing contaminants to load in the depth of the media and plug the airflow path. This creates higher restriction levels and less capacity. The synthetic fibers in the SuperNano-Web media are submicron in diameter and have small interior fiber spaces, which result in more contaminants being captured on the surface of the media. This can help keep restriction levels low as the filter loads with dirt and containments



If you look at the picture to the left, you can see the Nano-fiber web on top of our base media. That web, or Super-Nano-Web as we like to call it, helps trap smaller particles and protect your engine.

To Clean your filter:

Carefully remove the filter from the housing. Once removed, wipe down the housing using a clean shop towel, being careful not to knock any dirt and/or debris in the air inlet. Your filters can be cleaned by carefully vacuuming the filter media from the dirty side, or by holding the filter with one hand and carefully blowing the filter media at a 45-degree angle from the clean side using low-pressure shop air (15-20 lbs. psi).

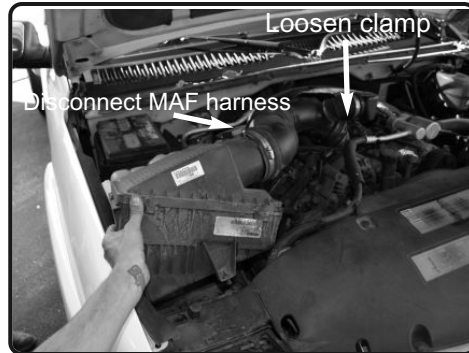
****IT IS IMPORTANT TO NOT USE ANY CLEANERS ON THE SUPERNANO-WEB MEDIA OR APPLY ANY OIL!!!***

NOTE: DISCONNECT BATTERY BEFORE INSTALLATION!!!

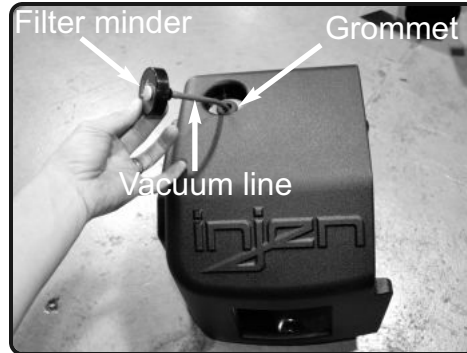
Instruction Manual P/N:EVO7000



1. Stock intake system shown.



2. Disconnect the MAF sensor harness. Then loosen the clamp on the turbo inlet. Pull the entire air box assembly and air duct out of the engine bay.



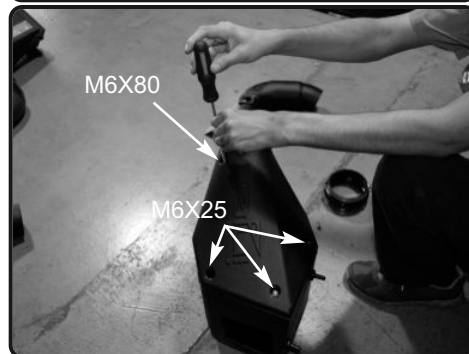
3. Place the grommet onto the drilled hole on top of the Injen air box. Connect the vacuum line to the filter minder then run the Filter minder into the grommet.



4. Place the filter onto the the Injen intake plenum and then secure the clamp.



5. Connect the 3mm vacuum hose from figure 6 to the barbed fitting on the filter



6. Place the three M6X25mm bolts and one M6X80mm into the plenum illustrated by the photo. Your Injen air box assembly is now complete.



7. Lower the Injen air box assembly into the engine bay. Make sure the pegs under the injen air box goes into the factory air box grommets located on the air box bracket.



8. Remove the factory MAF sensor from the factory air box assembly and then install it into the Injen intake tube. Use two M4 supplied bolts to secure it to the tube.



9. For illustrative purposes only: The step down section of the Injen intake tube will go into the Injen intake plenum. If the tube is not installed properly, the "Tune" on the intake could be thrown off.



10. For illustrative purposes only: Step down section of the Injen intake tube shown fully bottomed out into the Injen intake plenum. Proceed to the next step to install the required hump hose.



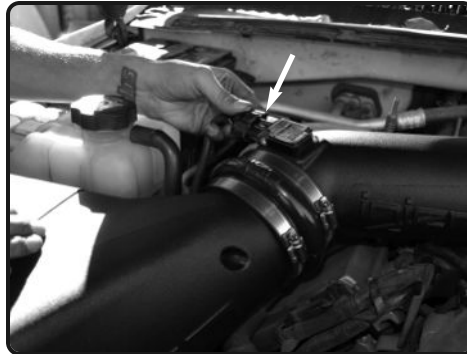
11. Place the 4.50" hump hose and two #72 clamps onto the Injen intake plenum. Secure the clamp on the plenum side for now.



12. Place the 3.5"-4.0" step hose and one #64 and #56 clamps onto the turbo inlet side of the intake tube. Tighten the clamp on the turbo inlet side for now.



13. insert the step down section into the intake plenum. Make sure the step down section bottoms all the way into the intake plenum (refer to figure 9&10). Insert the other end into the turbo inlet. Adjust the intake system for best fitment and then continue to secure the rest of the clamps



14. Re-connect the MAF sensor harness



Congratulations! You have just completed the installation of this intake system. Periodically, check the alignment of the intake, normal wear and tear can cause nuts and bolts to come loose. **Note: Check clearance and adjust if needed! Failure to check the alignment and adjust the intake can cause damage that will void the warranty. Injen Technology is not responsible for any damages caused by/from improper installation.**

Test Drive:

1. With the transmission in neutral or park and the parking brake engaged, start the engine. Listen for air leaks or odd noises. If air leaks are detected, secure hoses and connections. For any odd noises, inspect entire system for cause and adjust intake as needed. The Injen intake will function identically to the factory system but will be louder and more powerful.
2. Perform a road test. Listen for odd noises or rattles and fix as necessary.
3. If there are no issues, continue to enjoy your added performance from the Injen performance Intake kit.
4. Injen Technology recommends you periodically check clearance and adjust if needed! Failure to check the alignment and adjust the intake can cause damage that will void the warranty. Injen Technology is not responsible for any damages caused by/from improper installation.

1. Upon completion of the installation, reconnect the negative battery terminal before you start the engine.
2. Align the entire intake system for the best possible fit. Once the intake has been properly fitted continue to tighten all nuts, bolts and clamps.
3. Periodically, recheck the alignment of the intake system and make sure there is proper clearance around and along the length of the intake. Failure to follow proper maintenance procedures may cause damage to the intake and will void the warranty.
4. Start the engine and listen carefully for any odd noises, rattles and/or air leaks prior to taking it for a test drive. If any problems arise go back and check the vacuum lines, hoses and clamps that maybe causing leaks or rattles and correct the problem.
5. Check the filter for excessive dirt build up.
Enjoy the added power and performance of your new intake system.