



# Futura **PRO** ONE

## Electronic Key Cutting Machine

# Futura PRO ONE

## One Cutting Station for Laser & Dimple Keys



Built on the successful Futura Pro platform the Futura Pro One is designed and engineered with just one cutting station to originate, decode and copy laser and dimple keys. Like the Futura Pro, this model is powerful enough for the professional and ideal for inexperienced users with the step-by-step prompts throughout the cutting process.

Controlled by a removable 10" (254 mm) touch-screen tablet, the Futura Pro One guides the user step-by-step in all key cutting operations; for example, in selecting the make, model and year for automotive keys, selecting the cutter, clamp, etc.

Futura Pro One is compact, lightweight and portable making this an ideal choice for mobile service operations or where counter space is limited.

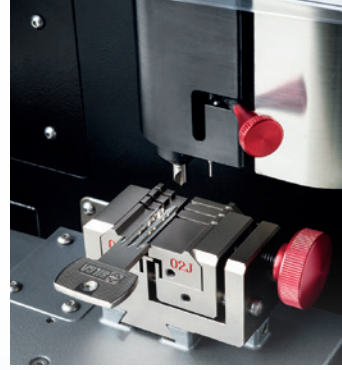
### Work Efficiencies

- One cutting station for duplicating all types of laser and dimple keys with interchangeable quick-change jaws that save time and reduces cost.
- Decode and copy by electrical contact to OEM specifications
- Automatic calibration
- Fast cutting cycles with a motor that delivers enough power for the cutters to reach 12,100 rpm.
- Tablet integrates software functions and data, including an extensive range of data cards and code tables for keys.
- Tablet and electronics delivers fast start up and fast response times between the tablet and the machine; reducing the overall time to duplicate a key.
- 01J, 02J, and 19J jaws included will accommodate all North American laser key styles except for BMW and Mercedes (requires optional 04J jaw).
- LED color changing lights indicate the status of the cutting process (white = ready to proceed, yellow = in process of cutting key, green = key cutting complete, safe to raise the safety shield).
- Two USB ports; one for tablet recharge and one for the tethering connection so the machine and tablet remain connected and operational even when the Wi-Fi connection is unstable or lost. The second USB port can also be used to connect the USB flash drive (supplied) to import code tables or for machine software updates.
- Durable carbide laser cutter.
- Exposed screws are stainless steel to resist wear.
- Optional clamps, adapters and accessories expand capability to originate and copy, Tibbe® type keys for Ford® applications, Tubular type keys, Kaba® ExperT type keys as well as others.

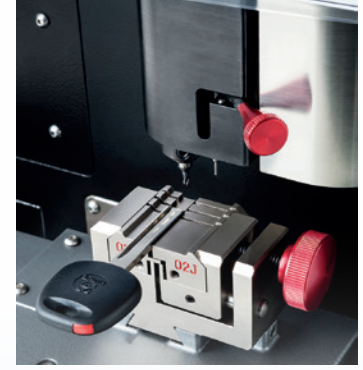


- 1 - ON/Emergency push button
- 2 - Ethernet port
- 3 - Power pack connector
- 4 - USB port standard
- 5 - USB port for Tablet charge

***“ Ultramodern in design and engineered to the highest quality standards; you can be assured of accurate and precise cutting of laser and dimple keys. ”***



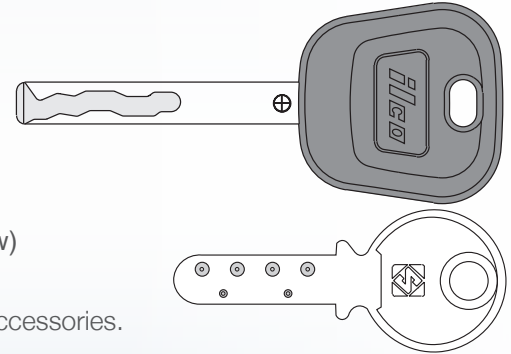
**Dimple Keys**



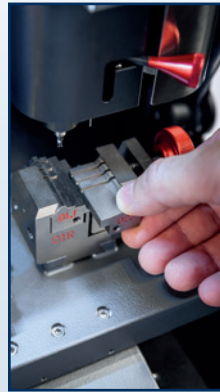
**Laser Keys**

## Laser and Dimple station

- Decode and copy by electrical contact to OEM specifications
- Automatic Calibration
- Interchangeable clamp jaws
- 01J, 02J and 19J jaws included will accommodate all North American laser style keys with the exception of BMW and Mercedes (requires optional 04J jaw)
- Durable carbide laser cutter
- Expand capabilities to include Tibbe<sup>®</sup>, tubular and other keys with optional accessories.



Tablet / Accessories Tray



Interchangeable Jaw



Removable Tablet w/ stand

## Ease of Operation

- Shortcut function for vehicle key cutting code searches eliminates manual entry. Simply input the first letters and the software will prompt the make and model for you to select. Key cut preview allows the user to check and correct cuts of a worn key.
- Guided step-by-step updating procedure via Wi-Fi or web with the Silca<sup>®</sup> Remote Service program.
- Integrated cutter holder keeps work station efficient and orderly.
- Built-in hood accessory tray for quick access to tools and/or keys
- Multi-language support

## Compact and Lightweight

- Compact lightweight and portable with ergonomic base grip for easy lifting.
- Safety shield slides within the machine body
- Removable tablet stand can be locked onto the machine hood or placed on the counter

## Safety Features

- Polished steel protective cover over the laser cutter motor
- Transparent safety shield contains chips and isolates moving parts
- All operations are disabled automatically when safety shield is retracted



## Technical Data

<b>Motors:</b>	24V dc
<b>Power Supply:</b>	90/264V – 50/60 Hz
<b>Movements:</b>	3 axes (special bushings) driven by step motors on rectified roller guides
<b>Carriage Runs:</b>	Axis X 1.18" (30mm), Axis Y 1.97" (50mm), Axis Z 1.06" (27mm)
<b>Dimensions:</b>	12.52" W (318mm) x 16.26"D (413mm) 20.47" H (522mm) with tablet, 13.38" H (340mm) without tablet
<b>Weight:</b>	42 lbs (20 kg)
<b>Warranty:</b>	2 years (machine and tablet)
<b>STANDARD Parts/Accessories</b>	
<b>Laser Cutter:</b>	Cutter 01LW D747838ZB
<b>Dimple Cutter:</b>	Cutter 01D D742867ZB
<b>Laser/Dimple Jaw:</b>	01J D943253ZR, 02J D943254ZR, 19J D744023ZB (Ford®, VW®/Audi® Porsche®)
<b>Laser/Dimple Tracers:</b>	01T D942565ZR, 02T D942866ZR
<b>USB PEN</b>	D947837ZR

### OPTIONAL Parts/Accessories/Interface\*

<b>Jaw:</b> 04J D743256ZB (BMW®, Mercedes® laser style keys)	<b>Cutter:</b> 06LW D74784028 (Toyota®/Lexus®)
<b>Clamp:</b> 02R D743275ZB (for tubular keys)	<b>Cutter:</b> 02LW D747839ZB (Fiat®)
<b>Clamp:</b> 03R D743276ZB (for Ford® Tibbe® keys)	<b>Tracer:</b> 03T D943910ZR (Included with 02R kit)
<b>Cutter:</b> 03L D743672ZB (for tubular keys)	<b>Adapter:</b> BD0725XXXX Lexus®/Toyota® Wallet Key

First generation Futura and Futura PRO accessories are compatible with Futura PRO ONE. Futura PRO ONE has been designed and manufactured in conformity with CE mark

\*Contact Ilco for other optional accessories, including accessories for: Abus®, Assa®, CES®, Cisa®, Dom®, Iseo®, Kaba®, Keso®, Mul.T.Lock®, Pfaffenhain®, Securemme®, Winkhaus®, BMW®, Citroen®, Ford®, Huf® and Mercedes® type keys, and tubular keys.

All the brand and product names mentioned in this flyer are registered trademarks and exclusive property of authorized manufacturers. Said trademarks or trade names are nominated only for the purposes of information in order to be rapidly identified.

20170525



dormakaba Group

# Futura Advantage Packages



Build on the Futura success with these attractive accessory packages. Not only will you increase the capability of your Futura, you will find a package to be an economical choice versus the purchase price of individual items.

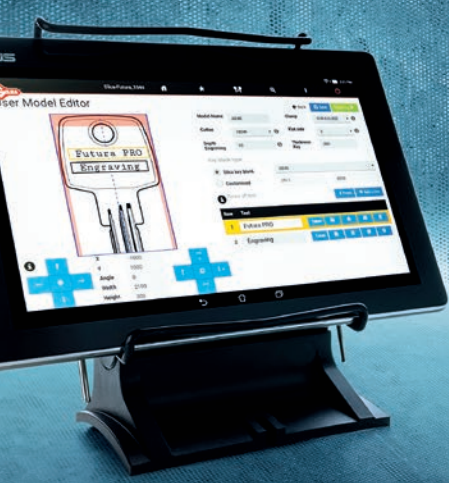
Futura Advantage Packages include Platinum, Gold, Silver and Bronze. These options will work with all Futura models (Futura, Futura Pro, Futura Pro One).

Packages may be added at time of purchase or purchased separately for an existing model.

Futura Package / Order no.				Platinum D751044ZB	Gold D751803ZB	Silver D751802ZB	Bronze D751801ZB
Item	Description	Application	Individual Item No.				
Clamp	02R	Tubular Keys	D743275ZB	✓		✓	
Clamp	03R	Ford Tibbe	D743276ZB	✓	✓		✓
Jaw	04J	BMW/Mercedes	D743256ZB	✓	✓		✓
Jaw	01E	Engraving	D748737ZB	✓	✓	✓	
Jaw	02E	Engraving	D748739ZB	✓	✓	✓	
Cutter	03L (5 mm)	Tubular Keys	D743672ZB	✓		✓	
Cutter	02LW (2 mm)	Fiat	D747839ZB	✓	✓	✓	✓
Cutter	06LW (2.2 mm)	Lexus 80000 Series	D747840ZB	✓	✓	✓	✓
Cutter	18DW	Engraving	D748741ZB	✓	✓	✓	
Software*	Codemaker	Software	D748565ZW	✓	✓	✓	
Software*	Unlimited Subscription	Software	D751329ZW	✓			
Software*	10 Year Subscription	Software	D751457ZW		✓		
Software*	5 Year Subscription	Software	D751458ZW			✓	
Software*	3 Year Subscription	Software	D751459ZW				✓
Case	Silver Case 28" x 18" x 5" (711mm x 457mm x 127mm)	Carrying Case	D748138ZB	✓			

Your machine must be registered before any software subscription can be activated. Once registered, the customer must provide their distributor with the serial number of the machine and they will place the activation order with Ilco. Software subscriptions end on December 31st of the year of expiration. Example: A 3-year subscription (Bronze Package) purchased 2/15/18 will expire 12/31/21.





# Engraving

## Engraving Kit for Futura and Futura Pro

Further increase the capabilities of the Futura series electronic key cutting machines with the new Futura Engraving Kit. The kit is compatible with Futura, Futura PRO and Futura Pro One. Simply change the cutter and install the engraving jaws on the 01R clamp (dimple/laser side) to easily engrave keys, small medallions and plates.

### Kit Components

The special engraving jaws (01E and 02E) securely grip a vast array of metal and aluminum keys, small medallions and plates. These jaws feature 3 areas (or steps) for items of different dimensions:

1.02" - 1.26" X 1.57"	(26-32mm x 40mm)
.79" - 1.02" X 1.57"	(20-26mm x 40mm)
.32" - .55" X 1.57"	(8-14mm x 40mm)

The engraving cutter (18DW) engraves both metal and aluminum.

### Software

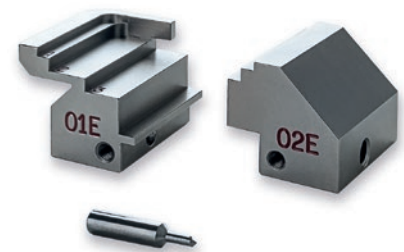
Engrave a variety of metal and aluminum keys, small medallions and plates. Software is pre-set to include over 220 default user templates (models) for keys, medals and plates and identifies the areas for inserting text.

The User Model Editor allows the user to "customize" an existing template to create new templates (models), not present in the database. Once created, the user can name and save the template for future use.

Each template allows you to select the depth of the engraving and indicates the jaw step you should use based on the dimensions of the key or tag being engraved.

Optimize processing with the job queues; simply set up the specific engraving parameters to begin the process and place it in the job queue for engraving at a later time.

The engraving software is FREE and will automatically load when performing a software update on the Futura (version 3.3.0) or Futura PRO (version 3.5.0).



### D749614ZB Futura Engraving Kit

Includes 01E Jaw, 02E Jaw and a18DW Cutter



dormakaba Group



# Software Subscriptions

for Futura Series



Tired of having to renew your FUTURA SW Subscription each year in order to keep up with new CARDS/Code series? Now you can select your SW Subscription for a multi-year term and save money as well as time!

SW Web Subscriptions are now available for the popular Futura line of electronic key machines for one-year, three-year, five-year and 10-year subscriptions.

- |                   |   |
|-------------------|---|
| <b>BK0469XXXX</b> | SW-Web Subscription One Year (Futura)                   |
| <b>BK0490XXXX</b> | SW-Web Subscription Three Years (Futura) (30% Savings*) |
| <b>BK0491XXXX</b> | SW-Web Subscription Five Years (Futura) (50% Savings*)  |
| <b>BK0492XXXX</b> | SW-Web Subscription Ten Years (Futura) (70% Savings*)   |

\*Savings based on standard one-year subscription MSRP price effective 1/1/18.

#### Notes:

Machine must be registered before SW subscription can be activated.  
Customer must provide serial number of machine when ordering SW subscriptions.  
Software subscriptions end on December 31st of the year of expiration  
(example, 3-year subscription purchased 2/15/18 will expire 12/31/21).

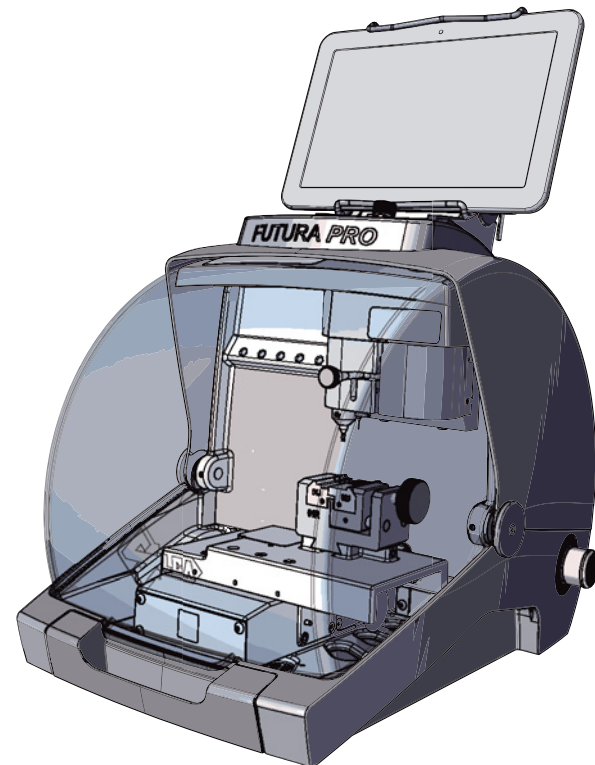
All the brand and product names mentioned are registered trademarks and exclusive property of authorized manufacturers. Said trademarks or trade names are nominated only for the purposes of information in order to be rapidly identified.





# FUTURA PRO ONE

## FUTURA *PRO* ONE



### Exploded drawing and spare parts list

Ref.	Code	
1	D908753ZR	PAD
2	D942570ZR	CLAMP 01R
3	D942575ZR	CLAMP 01R KNOB
4	D942612ZR	PAWL
5	D947254ZR	COVER FUTURA PRO
6	D947257ZR	TRANSPARENT PROTECTION FUTURA PRO
7	D947258ZR	CHIPPINGS TRAY FUTURA PRO
8	D942993ZR	LED LAMP
9	D947034ZR	PAD FUTURA PRO
10	D946872ZR	TABLET HOLDER FUTURA PRO
11	D946433ZR	POWER PROVIDER
12	D943245ZR	TABLET
13	D943253ZR	JAW 01J
14	D943254ZR	JAW 02J
15	D947259ZR	HANDLE FUTURA PRO
16	D742867ZB	CUTTER 01D
17	D747838ZB	CUTTER 01LW
18	D942565ZR	TRACER POINT 01T
19	D942866ZR	TRACER POINT 02T
20	D942601ZR	BELT
21	D908726ZR	FUSES 4 AMP. - DELAYED
22	D944061ZR	TOUCH PEN
23	D943754ZR	STOP BAR
24	D943621ZR	FUTURA PACKAGING
25	D946589ZR	HANDLE SET
26	D947837ZR	USB PEN SILCA

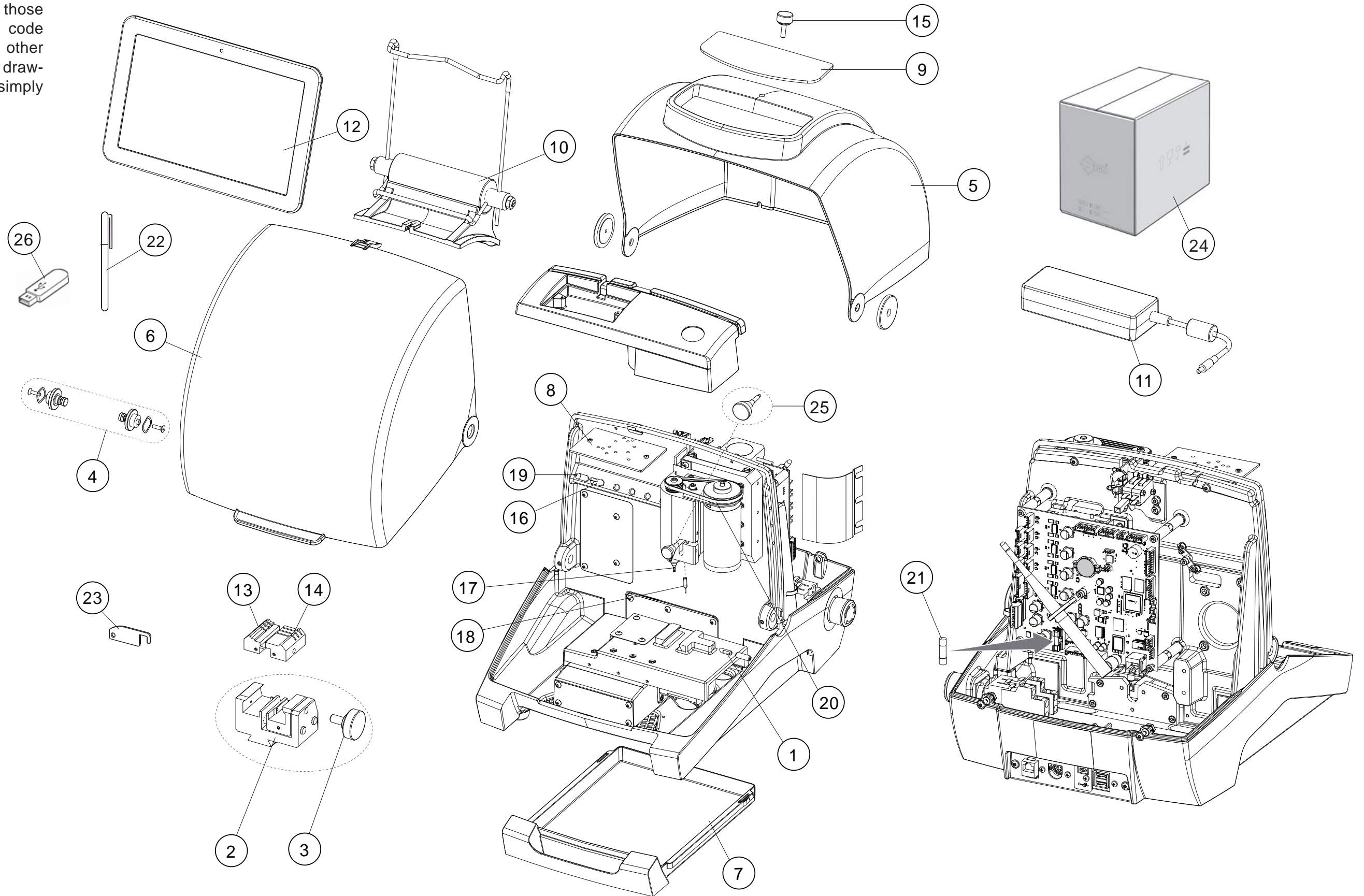
Attention: for repairs or replacement of parts for maintenance, the "CE" mark is guaranteed only if original spare parts provided by the manufacturer are used.

Silca guarantees supplies of the listed spare parts for 7 years from the date the product is discontinued.



**IMPORTANT NOTE!**

The exploded drawing illustrates all the components of the key-cutting machine. Only those marked with a numerical code are spare parts. All the other components shown in the drawing without numbers are simply illustrative.



FUTURA *PRO* ONE

Check out the collection of key cutting machines & programmers we offer.