

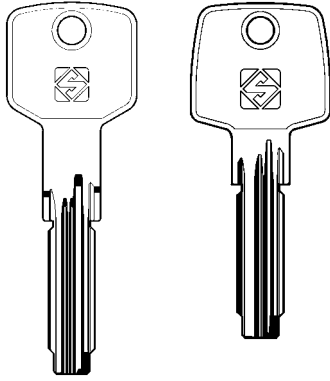
FUTURA PRO ONE

Specialist's Guide

FUTURA PRO ONE



FOR: **ABUS (D)**



AB48

AB84

AB74

ASTRAL system:

Codes tables protected by a password issued by Silca on receipt of the manufacturer's authorization.

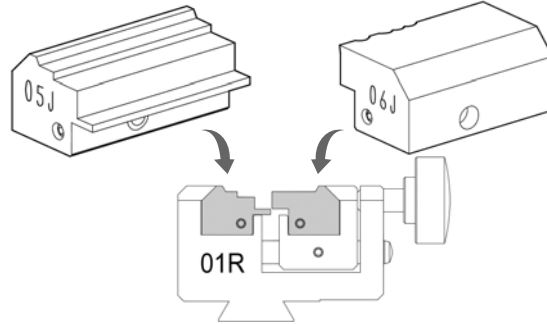
OPTIONAL **D743261ZB**

05J Jaw



OPTIONAL **D743262ZB**

06J Jaw



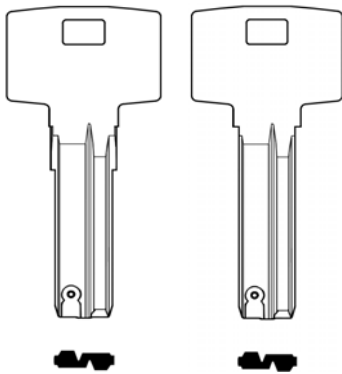
STANDARD



D742867ZB

Cutter 01D

FOR: **ABUS (D)**



Bravus

(1000 - 2000 - 3000 - 4000)

System protected by a password issued by Silca on receipt of authorization.

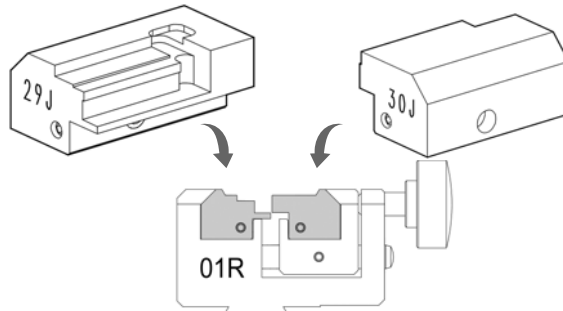
OPTIONAL **D744315ZB**

29J Jaw



OPTIONAL **D744317ZB**

30J Jaw



1000 - 2000 - 3000 systems

OPTIONAL



D744355ZB

Cutter 07D

4000 system

OPTIONAL



D744355ZB

Cutter 07D

OPTIONAL



D743672ZB

Cutter 03L

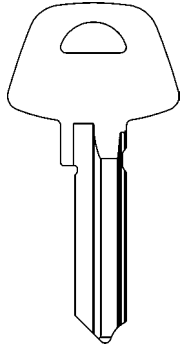


FUTURA PRO ONE



FOR:

ASSA (S)



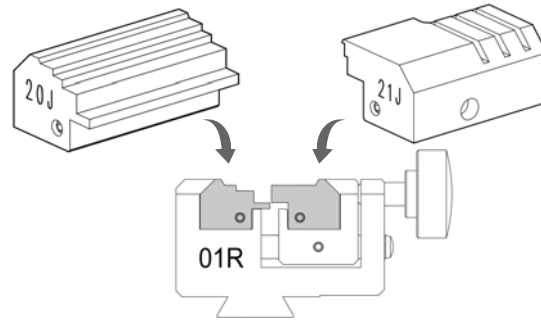

(D-12)

System protected by a password issued by Silca on receipt of authorization.

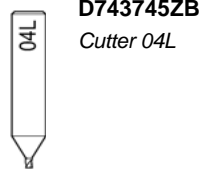
OPTIONAL **D744283ZB**



OPTIONAL **D744284ZB**



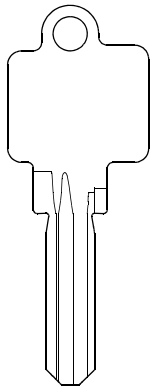
OPTIONAL



Note: standard cutting is also required.

FOR:

BKS (D)

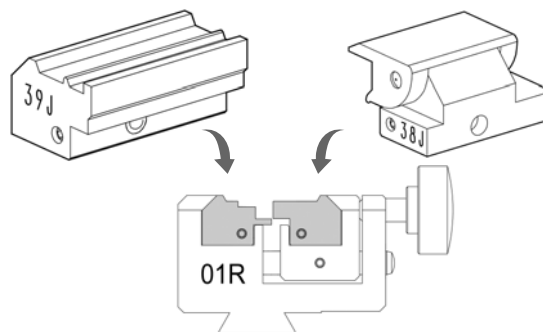



(WS42)

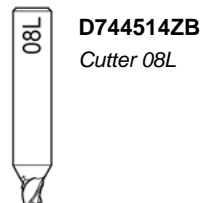
OPTIONAL **D744485ZB**



OPTIONAL **D744482ZB**



OPTIONAL

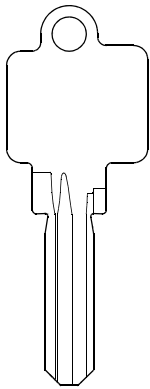


FUTURA PRO ONE



FOR:

BKS (D)




WS50 MK
(Profiles RA-RK-RZ)

OPTIONAL



D744480ZB

37J Jaw

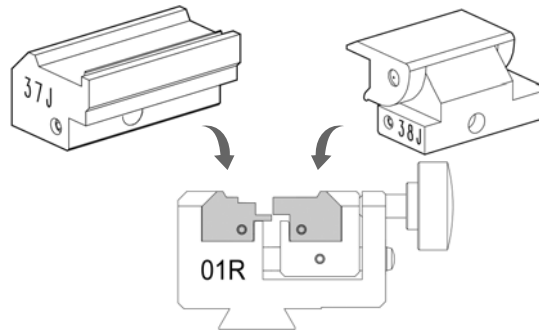


OPTIONAL



D744482ZB

38J Jaw



OPTIONAL

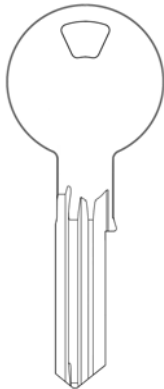


D744514ZB

Cutter 08L

FOR:

CES (D)



(UDM)

System protected by a password issued by Silca on receipt of authorization.

OPTIONAL



D744505ZB

49J Jaw

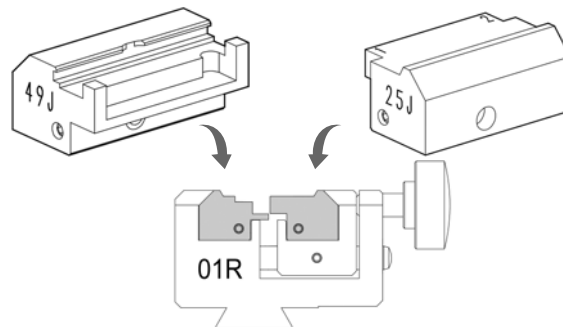


OPTIONAL



D744311ZB

25J Jaw



OPTIONAL

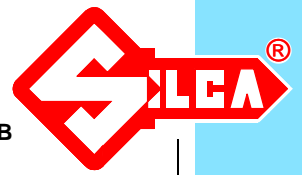


D744513ZB

Cutter 12D



FUTURA PRO ONE



FOR: **CISA (I)**

CS70P **CS70** **CS62**

ASTRAL
system 357

AB48
ABUS

ASTRAL system:
Codes tables protected by a password issued by Silca on receipt of the manufacturer's authorization.

OPTIONAL

D743261ZB
05J Jaw

D743262ZB
06J Jaw

STANDARD

D742867ZB
Cutter 01D

FOR: **DOM (D)**

IX6SR E
(prof. 129, 130, 241)
(prof. 131, 132, 233)
(prof. 230, 232, 234, 235)

System protected by a password issued by Silca on receipt of authorization.

OPTIONAL

D744495ZB
44J Jaw

STANDARD

D943254ZR
02J Jaw

OPTIONAL

D744508ZB
Cutter 09D

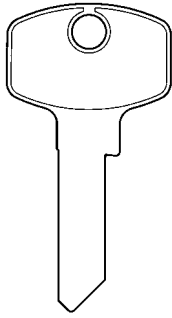


FUTURA PRO ONE



FOR:

DOM (D)



M04
(Prof. 145)

SIGMA

System protected by a password issued by Silca on receipt of authorization.

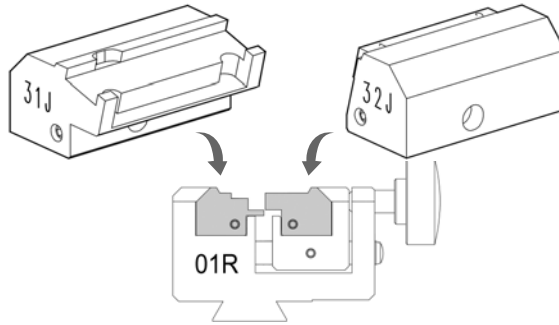
OPTIONAL



D744319ZB
31J Jaw



OPTIONAL **D744321ZB**
32J Jaw



OPTIONAL

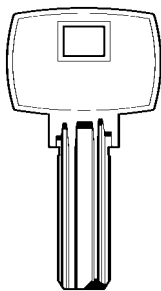


D744354ZB
Cutter 05D

Note: standard cutting is also required.

FOR:

DOM (D)
CORBIN (I)



IX5 DAS
(prof. 038/101)

OPTIONAL



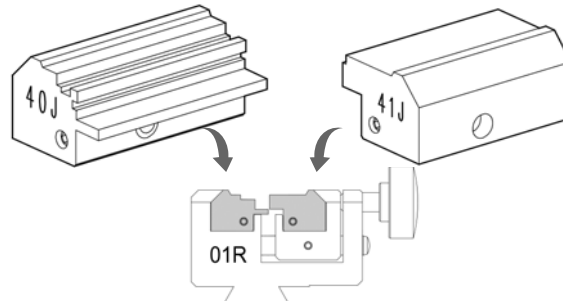
D744487ZB
40J Jaw



OPTIONAL



D744489ZB
41J Jaw



STANDARD



D742867ZB
Cutter 01D

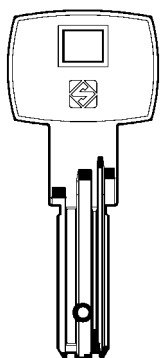


FUTURA PRO ONE



FOR:

DOM (D) CORBIN (I)



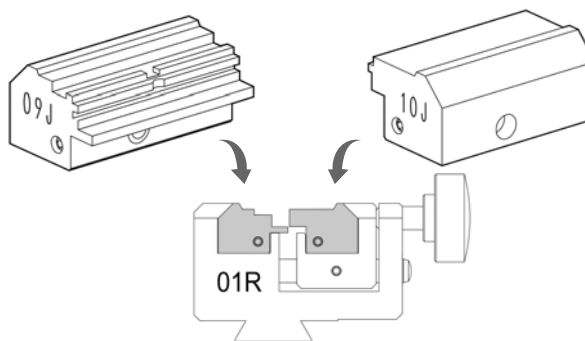
(IX6 KG Profile 121)

OPTIONAL



D743269ZB
09J Jaw

D743270ZB
10J Jaw



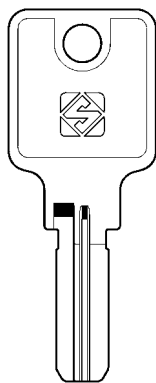
STANDARD



D742867ZB
Cutter 01D

FOR:

HUWIL (D)

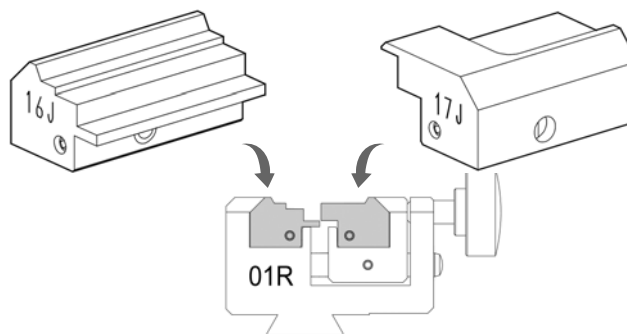


OPTIONAL



D743362ZB
16J Jaw

D743365ZB
17J Jaw



STANDARD



D747838ZB
Cutter 01LW

OPTIONAL



D742606ZB
Cutter 01L

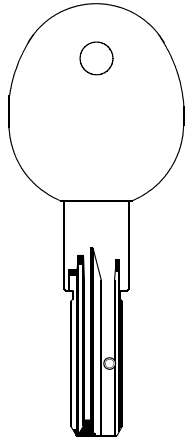


FUTURA PRO ONE



FOR:

ISEO (I)



(ISR100 WEB / R100 / R50)

Codes tables protected by a password issued by Silca on receipt of the manufacturer's authorization.

OPTIONAL

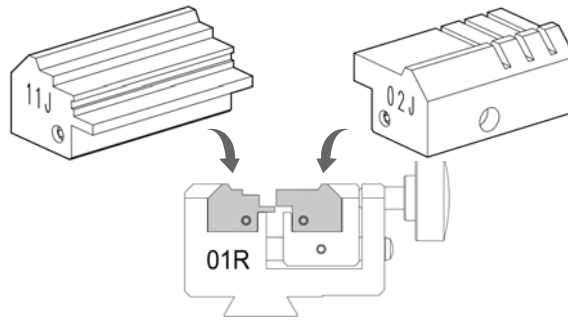
D743278ZB

11J Jaw



STANDARD **D943254ZR**

02J Jaw



STANDARD



D742867ZB

Cutter 01D

FOR:

KABA (CH)



maTriX
(K59)

OPTIONAL

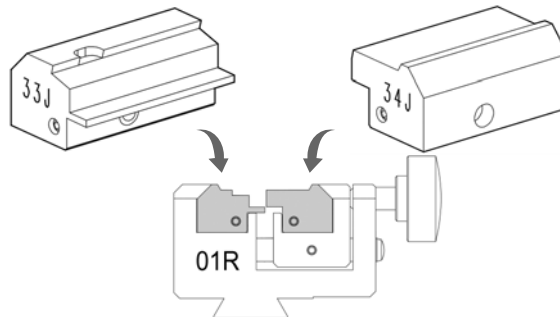
D744295ZB

33J Jaw



OPTIONAL **D744296ZB**

34J Jaw



STANDARD



D742867ZB

Cutter 01D

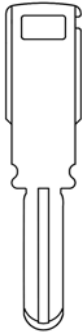


FUTURA PRO ONE



FOR:

KABA (CH)



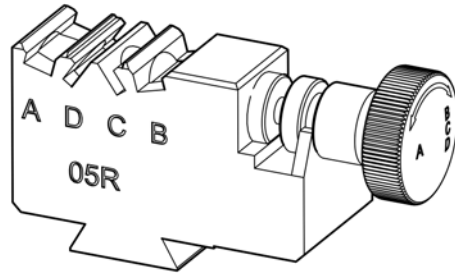
(KABA Exper T)

System protected by a password issued by Silca on receipt of authorization.

OPTIONAL



D746713ZB
Clamp 05R



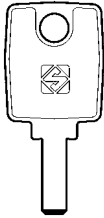
OPTIONAL



D746736ZB
Cutter 10D

FOR:

KABA (CH)

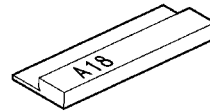


KA8
(KABA-MICRO)

OPTIONAL



D729845ZB
A18 adapter

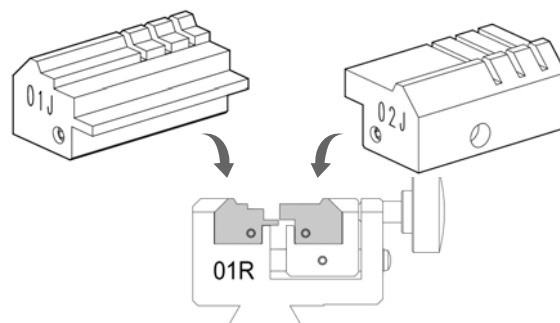


STANDARD



D943253ZR
01J Jaw

D943254ZR
02J Jaw



STANDARD



D742867ZB
Cutter 01D



FUTURA PRO ONE



FOR: **KESO (CH)**

KE1 KE2

KE4

(1000 System)

OPTIONAL **D744291ZB**
26J Jaw

OPTIONAL **D744292ZB**
27J Jaw

• CODE
◊ COPY

01R

STANDARD

01D **D742867ZB**
Cutter 01D

OPTIONAL

03D **D743674ZB**
Cutter 03D

FOR: **KYR (I)**

SCU1
SECURITAL

OPTIONAL

• CODE **D729845ZB**
A18 adapter

◊ COPY

STANDARD

• CODE **D943253ZR**
01J Jaw

◊ COPY

D943254ZR
02J Jaw

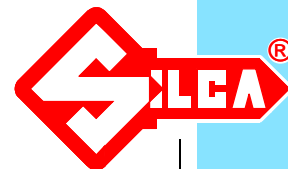
01R

STANDARD

01D **D742867ZB**
Cutter 01D

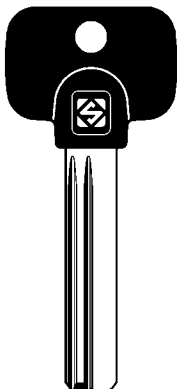


FUTURA PRO ONE



FOR:

MAGNUM (GB)



MGN1RP

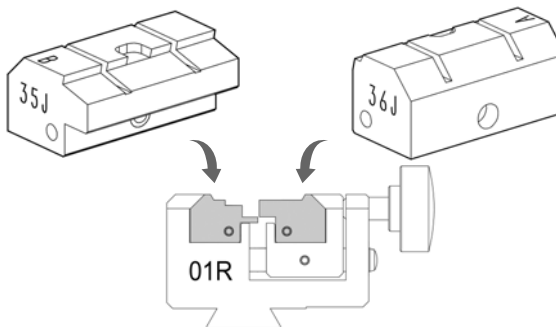
Magnum Superior
(5+4) (4+3) (3+2)

Magnum Superior +
(5+4) (4+3) (3+2)

OPTIONAL **D744363ZB**
35J Jaw



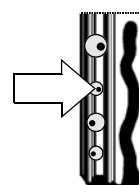
OPTIONAL **D744365ZB**
36J Jaw



OPTIONAL



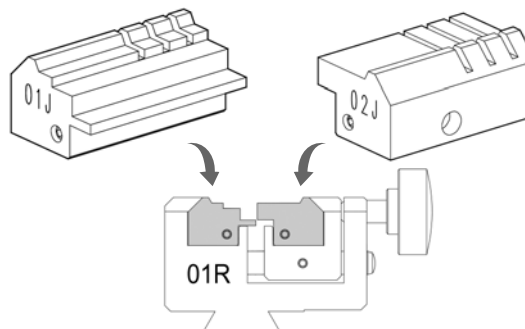
D743673ZB
Cutter 02D



STANDARD **D943253ZR**
01J Jaw



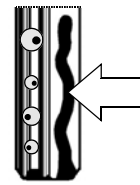
STANDARD **D943254ZR**
02J Jaw



OPTIONAL



D743745ZB
Cutter 04L

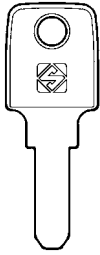


FUTURA PRO ONE



FOR:

MERONI (I)



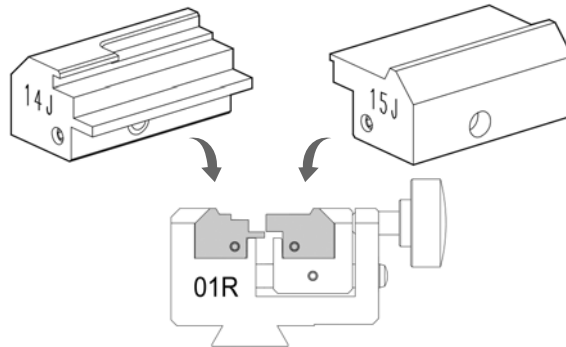
MER39
M4

OPTIONAL



D743343ZB
14J Jaw

D743361ZB
15J Jaw



OPTIONAL



D747839ZB
Cutter 02LW

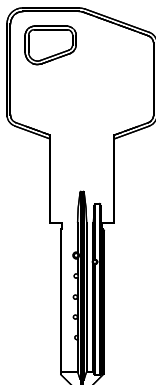
OPTIONAL



D743671ZB
Cutter 02L

FOR:

MG MONTI (I)



(HSP)

System protected by a password issued by Silca on receipt of authorization.

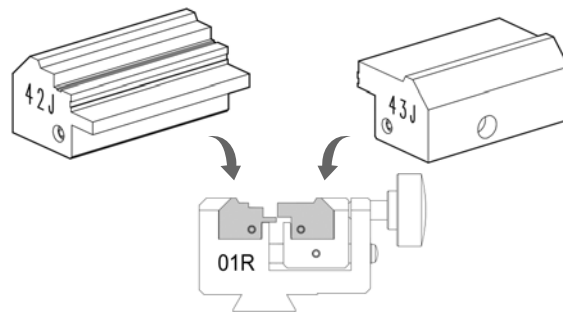
OPTIONAL



D744491ZB
42J Jaw

OPTIONAL

D744493ZB
43J Jaw



STANDARD



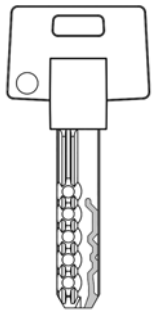
D742867B
Cutter 01D



FUTURA PRO ONE



FOR: **MUL.T.LOCK (IL)**



MT5 + (L)
MT5 + (R)

OPTIONAL



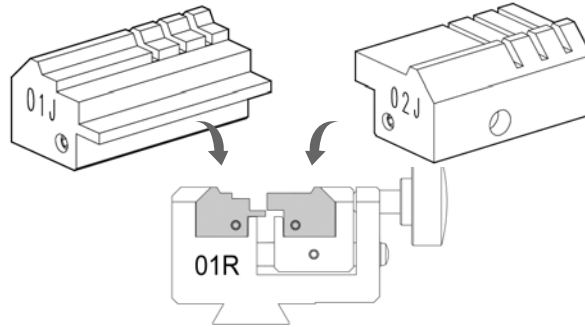
D943253ZR
01J Jaw



STANDARD



D943254ZR
02J Jaw



OPTIONAL

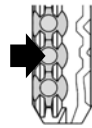


D745913ZB
Tracer point 05T

OPTIONAL



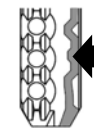
D743746ZB
Cutter 04D



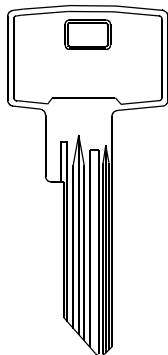
OPTIONAL



D743744ZB
Cutter 05L



FOR: **PFAFFENHAIN (D)**



(K14)

OPTIONAL



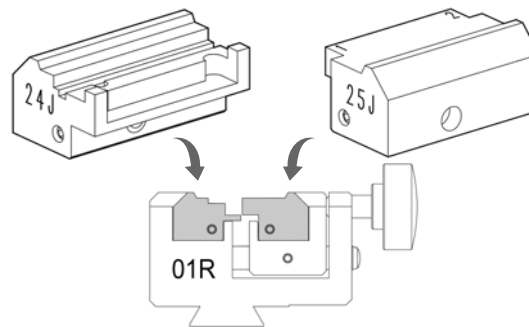
D744309ZB
24J Jaw



OPTIONAL



D744311ZB
25J Jaw



STANDARD



D742867ZB
Cutter 01D

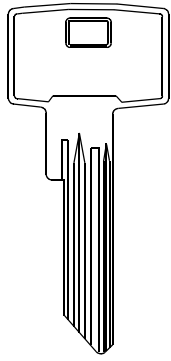
Note: standard cutting is also required.



FUTURA PRO ONE



FOR: **PFAFFENHAIN (D)**



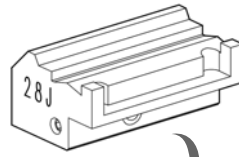
(KV14 - XY14)
(KV14 - XV14)

OPTIONAL



D744313ZB

28J Jaw

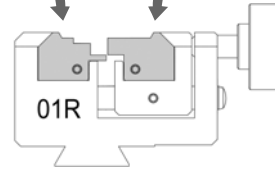
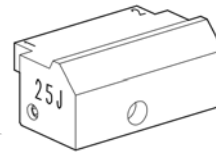


OPTIONAL



D744311ZB

25J Jaw



STANDARD

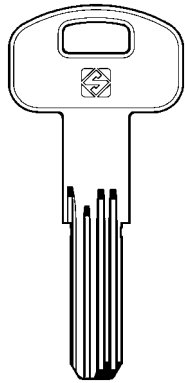


D742867ZB

Cutter 01D

Note: standard cutting is also required.

FOR: **SECUREMME (I)**



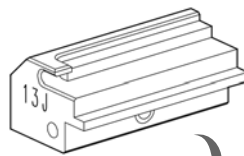
SCM2
K1

OPTIONAL



D743341ZB

13J Jaw

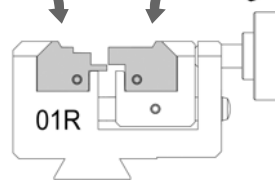
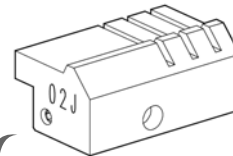


STANDARD



D943254ZR

02J Jaw



OPTIONAL



D743673ZB

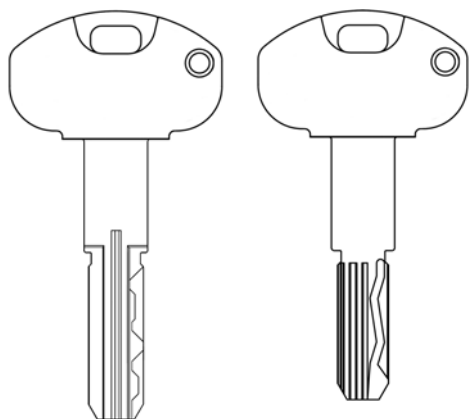
Cutter 02D



FUTURA PRO ONE



FOR: **SECUREMME (I)**




(K3)
5 pin


(K3)
5+5 pin

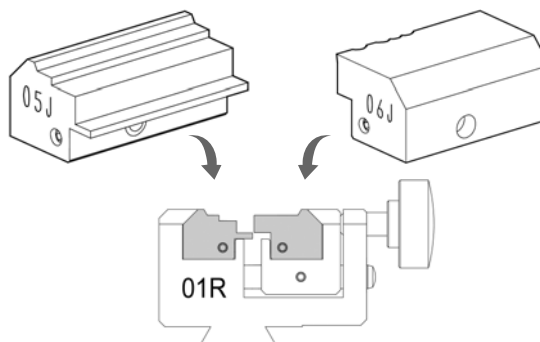
OPTIONAL **D743261ZB**

05J Jaw



OPTIONAL **D743262ZB**

06J Jaw

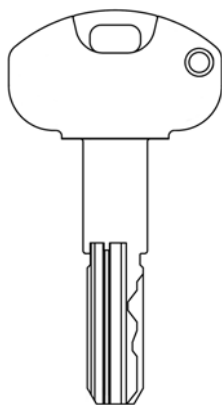


OPTIONAL



D743673ZB
Cutter 02D

FOR: **SECUREMME (I)**




(K5)
6 pin

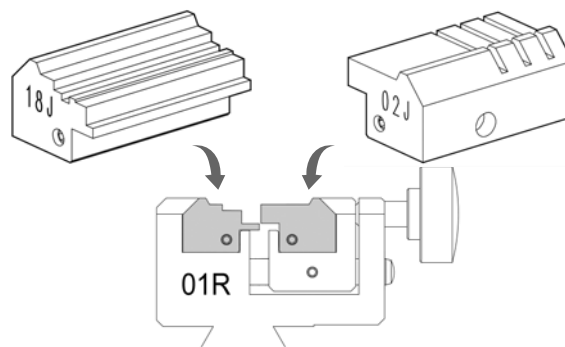
OPTIONAL **D744017ZB**

18J Jaw



STANDARD **D943254ZR**

02J Jaw



OPTIONAL



D743673ZB
Cutter 02D

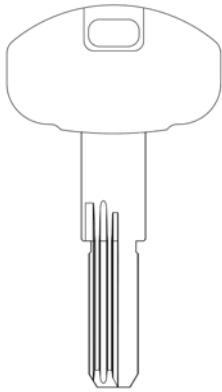
System protected by a password issued by Silca on receipt of authorization.



FUTURA PRO ONE



FOR: **SECUREMME (I)**



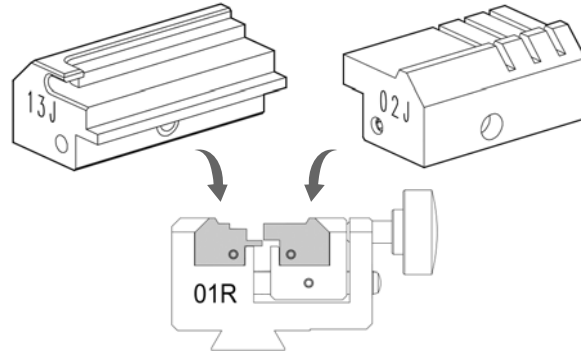
EVO K22 (11 pin)
EVO K64 (10 pin) (11 pin)

System protected by a password issued by Silca on receipt of authorization.

OPTIONAL **D743341ZB**
13J Jaw



STANDARD **D943254ZR**
02J Jaw

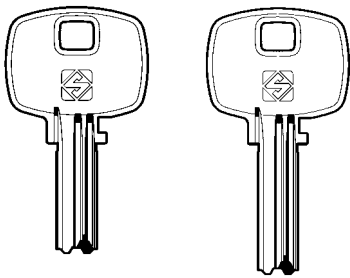


OPTIONAL



D747004ZB
Cutter 14D

FOR: **STS (E)**



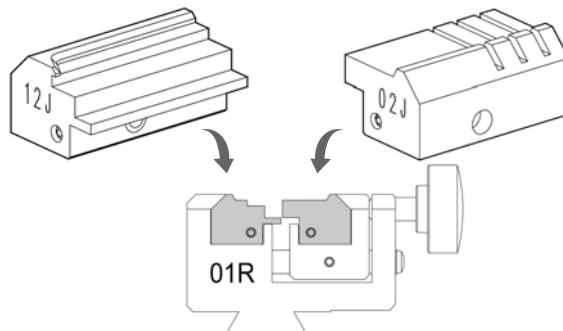
STS5

STS6

OPTIONAL **D743340ZB**
12J Jaw



STANDARD **D943254ZR**
02J Jaw



STANDARD



D742867ZB
Cutter 01D

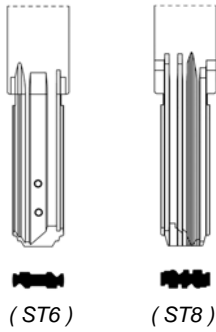


FUTURA PRO ONE



FOR:

STS (E)



SYSTEM	CARD	SN
ST6	2986	1131
ST8	3006	1151

System protected by a password issued by Silca on receipt of authorization.

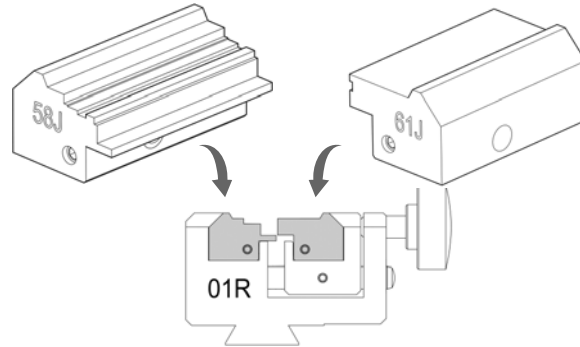
OPTIONAL

D746544ZB
58J Jaw



OPTIONAL

D746839ZB
61J Jaw



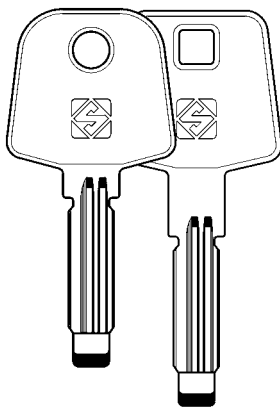
OPTIONAL



D744508ZB
Cutter 09D

FOR:

VACHETTE (F)



VAC91 VAC104
VAC103 VAC105

(VACHETTE RADIAL)

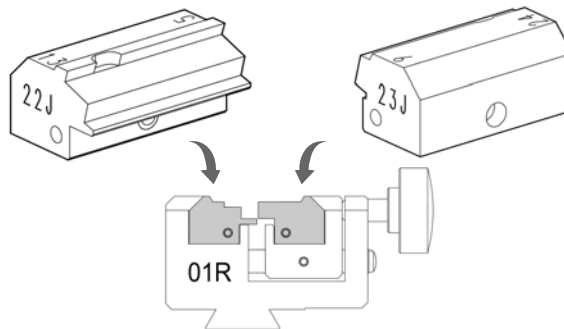
OPTIONAL

D744287ZB
22J Jaw



OPTIONAL

D744288ZB
23J Jaw



OPTIONAL



D743674ZB
Cutter 03D



FUTURA PRO ONE



FOR:

VIRO (I)



(Palladium)

System protected by a password issued by Silca on receipt of authorization.

OPTIONAL

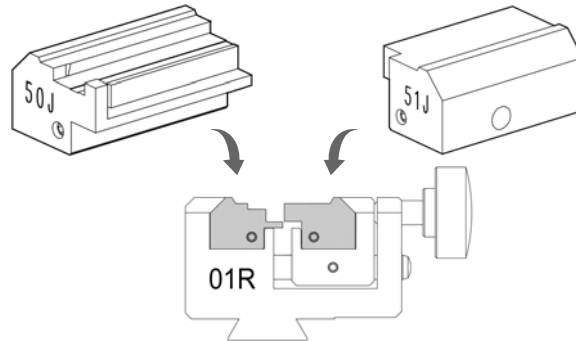


D744560ZB
50J Jaw

OPTIONAL



D744634ZB
51J Jaw



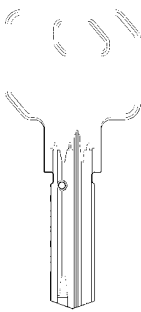
OPTIONAL



D743673ZB
Cutter 02D

FOR:

WILKA (D)



(PR100)
(Carat - P1)

OPTIONAL

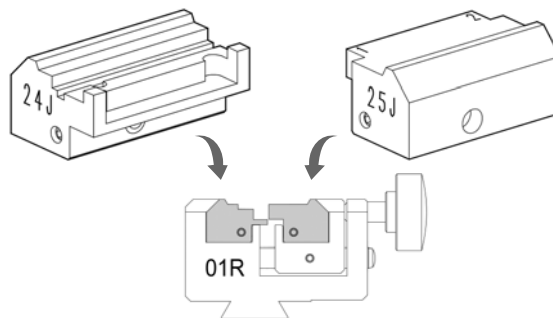


D744309ZB
24J Jaw

OPTIONAL



D744311ZB
25J Jaw



OPTIONAL



D743673ZB
Cutter 02D

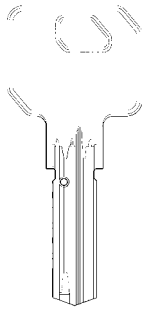


FUTURA PRO ONE



FOR:

WILKA (D)



RPE

(PR300)
(Carat - P3)

OPTIONAL



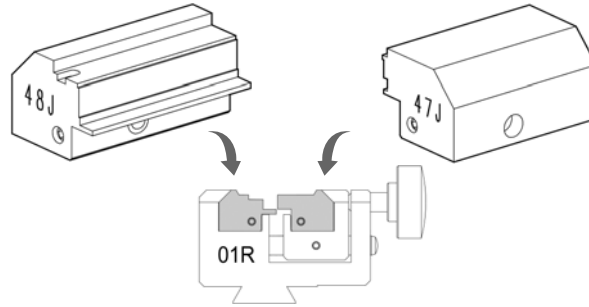
D744503ZB
48J Jaw



OPTIONAL



D744501ZB
47J Jaw



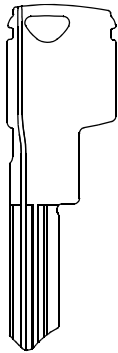
STANDARD



D742867ZB
Cutter 01D

FOR:

WINKHAUS (D)



(RPE - RPS)

System protected by a password issued by Silca on receipt of authorization.

OPTIONAL



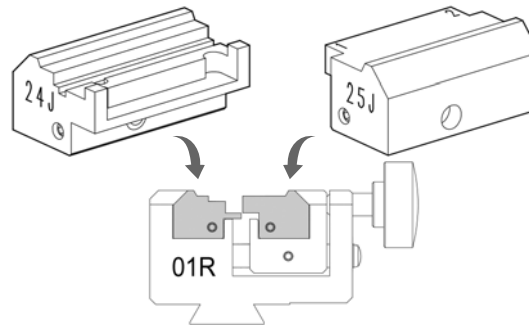
D744309ZB
24J Jaw



OPTIONAL



D744311ZB
25J Jaw



OPTIONAL



D744353ZB
Cutter 06D

Note: standard cutting is also required.



FUTURA PRO ONE



FOR:
AUDI (D)
FORD (D)
PORSCHE (D)
SEAT (E)
SKODA (CZ)
VOLKSWAGEN (D)



HU66MH

HU66P

HU66AT5
 HU66AT6

HU66EHP

HU66T5
 HU66T6

HU66T10 HU66CT5

HU66FH

HU66T15 HU66DT5

HU66T23 HU66CT6

HU66T26 HU66BT1

HU75T

HU66T28 HU66BT15

HU66TE HU66BT28

HUF (D) - WITTE (D)

OPTIONAL



D744023ZB

19J Jaw

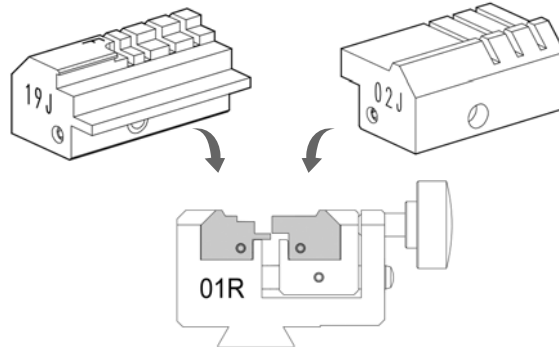


STANDARD



D943254ZR

02J Jaw



STANDARD



D747838ZB

Cutter 01LW

OPTIONAL

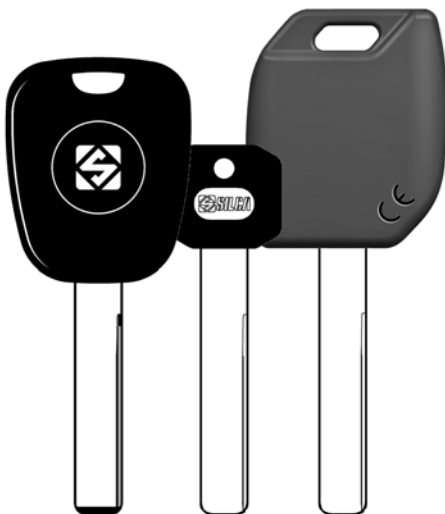


D742606ZB

Cutter 01L

FOR:

BMW (D)



HU92RP

HU92RKP

HU92RMH

STANDARD



D943253ZR

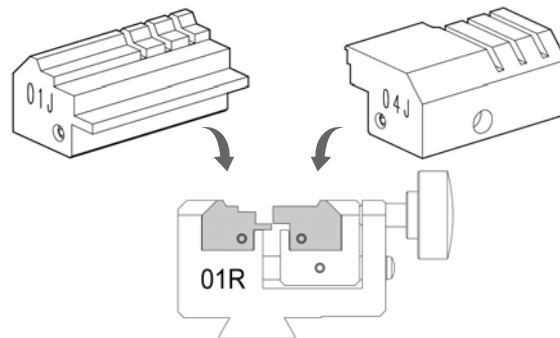
01J Jaw

OPTIONAL



D743256ZB

04J Jaw



STANDARD



D747838ZB

Cutter 01LW

OPTIONAL



D742606ZB

Cutter 01L

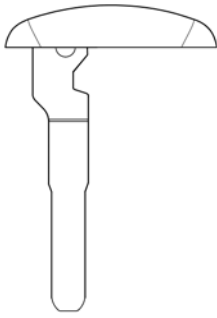


FUTURA PRO ONE



FOR:

FORD (D)

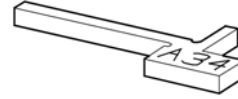


(Escape model)

OPTIONAL



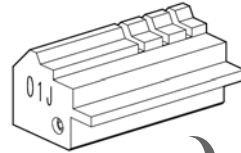
D741485ZB
A34 adapter



STANDARD



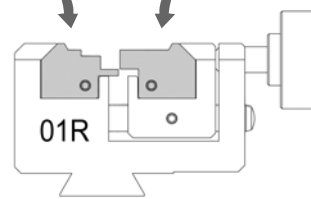
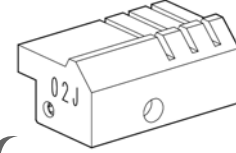
D943253ZR
01J Jaw



STANDARD



D943254ZR
02J Jaw



STANDARD



D747838ZB
Cutter 01LW

OPTIONAL



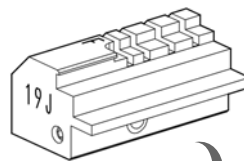
D742606ZB
Cutter 01L

OR

OPTIONAL



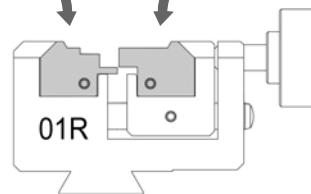
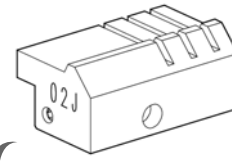
D744023ZB
19J Jaw



STANDARD



D943254ZR
02J Jaw



STANDARD



D747838ZB
Cutter 01LW

OPTIONAL



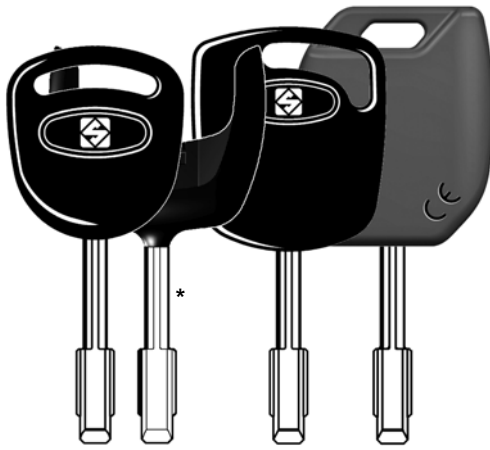
D742606ZB
Cutter 01L



FUTURA PRO ONE



FOR: **FORD (EU+USA)**



- FO21P FO21AP FO21T3 FO21MH
- FO21EH1 FO21T3M
- FO21EH2 FO21T7
- FO21T17
- FO21TE
- FO21FH

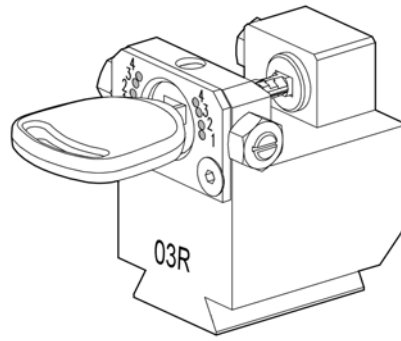
** IMPORTANT! Key blank to be applied to the original remote control (the remote control includes the transponder chip)*

TIBBE (D)
VALEO (F)

OPTIONAL



D743276ZB
03R Clamp



STANDARD



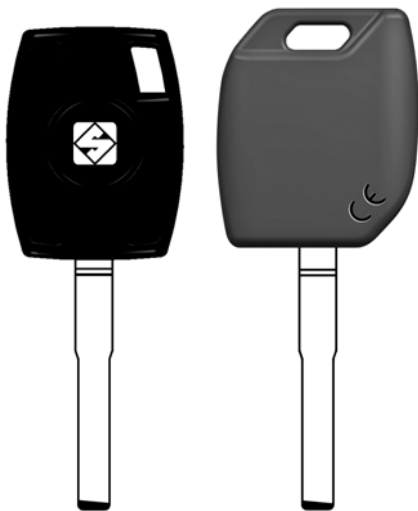
D747838ZB
Cutter 01LW

OPTIONAL



D742606ZB
Cutter 01L

FOR: **HUF (D)**

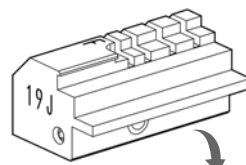


- HU101T17 HU101MH
- HU101T20
- HU101TE
- HU101T
- HU101AP
- HU101EH
- HU101FH

OPTIONAL



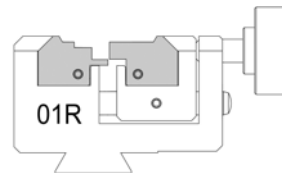
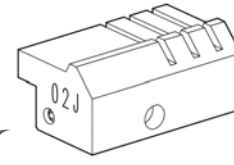
D744023ZB
19J Jaw



STANDARD



D943254ZR
02J Jaw



STANDARD



D747838ZB
Cutter 01LW

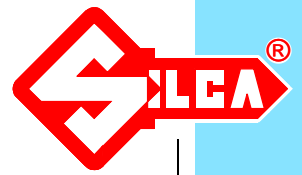
OPTIONAL



D742606ZB
Cutter 01L



FUTURA PRO ONE



FOR:

HUF (D)



HU162T
(4T - 8W)

VOLKSWAGEN
SKODA

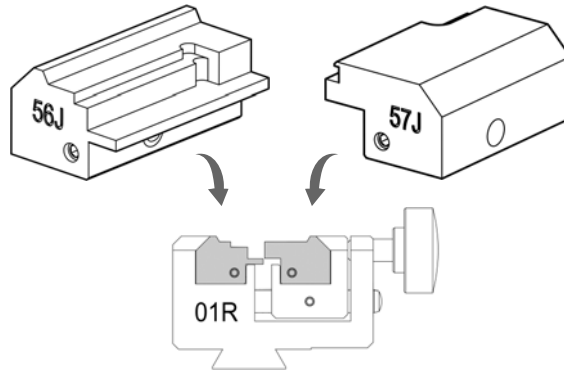
OPTIONAL

D746461ZB
56J Jaw



OPTIONAL

D746467ZB
57J Jaw



OPTIONAL



D747839ZB
Cutter 02LW

OPTIONAL



D743671ZB
Cutter 02L

FOR:

MERCEDES (D)



HU41P

HU55P
HU61AP

HU64P
HU64T
HU65AP

HUF (D)

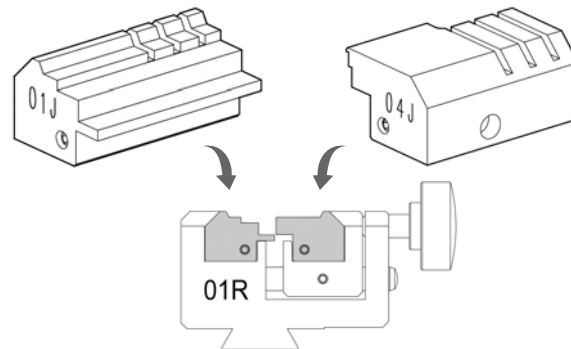
STANDARD

D943253ZR
01J Jaw



OPTIONAL

D743256ZB
04J Jaw



STANDARD



D747838ZB
Cutter 01LW

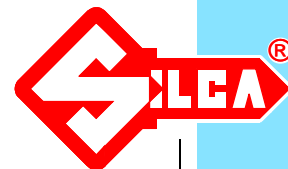
OPTIONAL



D742606ZB
Cutter 01L



FUTURA PRO ONE



FOR:
TUBULAR KEYS
CHIAVI TUBOLARI
STECKSCHLÜSSEL
CLÉS TUBULAIRES
LLAVES TUBOLARES

AGA (E)
BILMA (E)

BIL1T

CHICAGO (USA)

CH9T
 CH16T (9.2)
 CH17T (10)

L&F (GB)
KENSTAN (USA)

CH9T

MERONI (I)

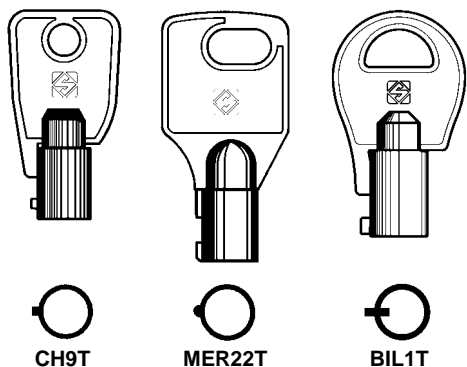
MER22T (9.50)
 MER25T (9.50)

P.CORTELLEZZI (I)

PC12T (9.60)
 PC12TP (9.60)
 PC15T (9.60)
 PC15TP (9.60)

SILCA (I)

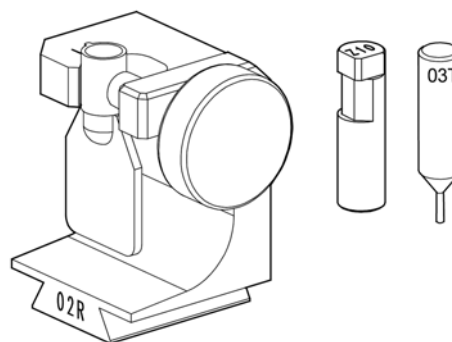
SLC1TP (9.60)
 SLC2TP (9.60)



OPTIONAL



D743275ZB
02R Clamp



OPTIONAL



D743672ZB
Cutter 03L

