



FuturaPRO

Electronic Key Cutting Machine



The Ultimate Electronic Key Cutting Experience

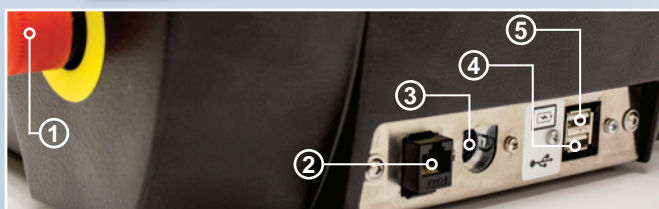
The original Futura electronic key cutting machine was the **first machine on the market to combine two cutting stations in one user-friendly device**. Now, the Futura Pro delivers even more including faster cutting cycles and a new tablet with upgraded electronics and software for faster response times on the new tablet.

Futura Pro is a powerful machine for the professional key cutters yet also ideal for the less experienced users with step-by-step prompts throughout the cutting processes.

Ultramodern in design and engineered to the highest quality standards; you can be assured of the most accurate, precise cutting of a variety of key styles on one innovative, amazing machine.

Work Efficiencies

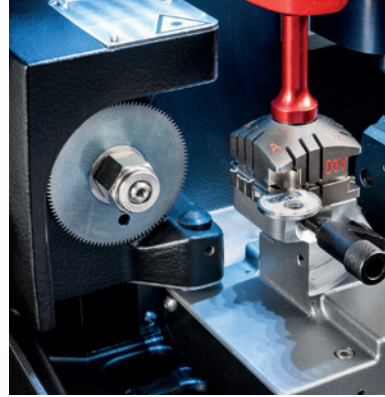
- **Faster cutting cycles with a motor that delivers up to three times more power and cutters that reach speeds of 1,585 rpm for edge cut keys and 12,100 rpm for laser and dimple keys**
- **The tablet together with upgraded electronics delivers quick start up, faster response times and an all-round improvement in the machine performance.**
- **Two USB ports; one for charging the tablet and a second port is used to tether the tablet. The tethering connection allows the Futura Pro and tablet to remain connected and operational even when the Wifi connection is unstable or lost. The second port may also be used to connect the USB flash drive (supplied) to import code tables or for machine software updates.**
- **New tip stop tool for the edge cut clamp station to be used in position 4**
- **Kreate-A-Key/Instacode Interface is included**
- Interchangeable jaws on the Laser/Dimple clamp station saves time and reduces cost.
- LED color changing lights indicate the status of the cutting process (white=ready, yellow, cutting in process, green=cutting complete).
- Carbide laser cutter for longer life cycle.
- **Stainless steel exposed screws resist wear.**
- **Ergonomic clamp handle design offers a comfort grip and holds keys securely on the edge cut side.**
- Built-in hood accessory tray for easy access to tools and/or keys
- Multi-language support



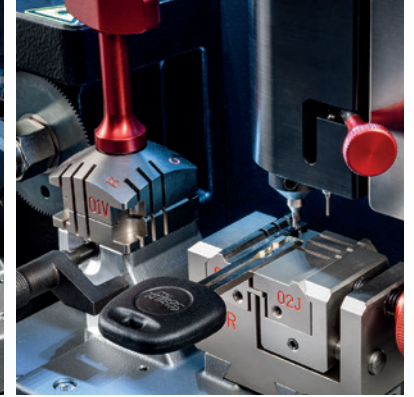
- 1 - ON/Emergency push button
- 2 - Ethernet port
- 3 - Power pack connector
- 4 - USB port standard
- 5 - USB port for Tablet charge

One Machine with Two Cutters and Two Clamps...

Two cutting stations: one for edge cut and cruciform style keys, and one for laser and dimple keys. The wide range of optional accessories will further increase capabilities to duplicate tubular, Tibbe® style keys, and more.



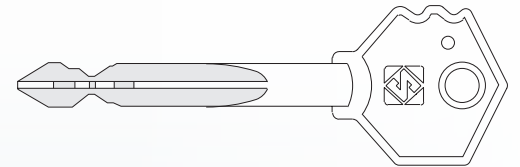
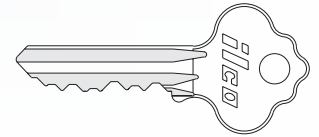
Edge Cut and Cruciform Keys



Laser and Dimple Keys

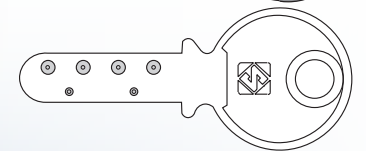
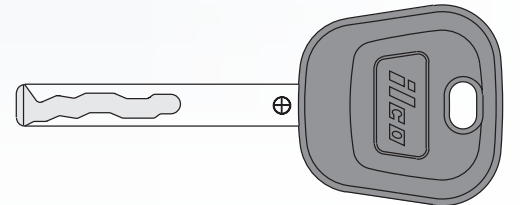
Edge Cut and Cruciform Station

- Decode via optical reader to OEM specifications
- Copy by original function via optical reader for an exact duplicate of the original
- Guided calibration of the cutting station.
- Durable, long lasting HSS (High Speed Steel) milling cutter
- Four position, quick rotating jaw (clamp) accommodates a wide variety of keys
- Ergonomic clamp handle to easily tighten the key securely in place.
- Automotive keys and most residential keys cut in one smooth pass.



Laser and Dimple station

- Decode and copy by electrical contact to OEM specifications
- Automatic Calibration
- Interchangeable clamp jaws
- 01J, 02J and 19J jaws included will accommodate all North American laser style keys with the exception of BMW and Mercede (requires optional 04J jaw)
- Durable carbide laser cutter
- Expand capabilities to include Tibbe®, tubular and other keys with optional accessories.



Ease of Operation

Futura Pro is controlled by a removable, 10" (254 mm) touch-screen tablet that guides the operator through step-by-step screen prompts including selection of the correct cutter, clamp etc. The tablet integrates software functions and data, including an extensive range of data cards and code tables for keys.

Improved Software

- Shortcut card search function eliminates manual entry. Enter a few letters and the software prompts the make/model.
- Key cut preview allows you to check and correct the cut of a worn key.
- **Guided, step-by-step updating procedure via Wi-Fi or web with the Silca® Remote Service program.**

Compact and Lightweight

- Small footprint and lightweight design make the Futura Pro ideal for mobile use or where counter space is limited.
- Ergonomic base grip for easy lifting
- Safety shield slides within the machine body
- Removable tablet stand can be locked into the machine hood or placed on the counter

Safety Features

- Steel protective cover over the laser cutter motor
- Transparent safety shield contains chips and isolates moving parts; when retracted, all cutting operations are disabled.
- Emergency shut-off button



Technical Data

Motors:	24V dc
Power Supply:	90/264V – 50/60 Hz
Movements:	3 axes (special bushings) driven by step motors on rectified roller guides
Carriage Runs:	Axis X 1.18" (30mm), Axis Y 1.97" (50mm), Axis Z 1.06" (27mm)
Dimensions:	12.52" W (318mm) x 16.26"D (413mm) 20.47" H (522mm) with tablet, 13.38" H (340mm) without tablet
Weight:	44 lbs (20 kg)
Warranty:	2 years (machine and tablet)

STANDARD Parts/Accessories

Edge Cutter:	Cutter 01F FUTURA PRO D747276ZB
Laser Cutter:	Cutter 01LW D747838ZB
Dimple Cutter:	Cutter 01D D742867ZB
Edge Cut Jaw:	Clamp 01V D942846ZR
Laser/Dimple Jaw:	01J D943253ZR, 02J D943254ZR, 19J D744023ZB (Ford®, VW®/Audi® Porsche®)
Laser/Dimple Tracers:	01T D942565ZR, 02T D942866ZR
Tip Stop (pos 4)	D946007ZR
USB PEN	D947837ZR
Software Interface:	Instacode/Kreate-A-Key

OPTIONAL Parts/Accessories/Interface*

Jaw:	04J D743256ZB (BMW®, Mercedes® laser style keys)
Clamp:	02V D743271ZB (ASSA® DP, CLIQ, D-12)
Clamp:	02R D743275ZB (for tubular keys)
Clamp:	03R D743276ZB (for Ford® Tibbe® keys)

Cutter:	03L D743672ZB (for tubular keys)
Cutter:	06LW D74784028 (Toyota®/Lexus®)
Tracer:	03T D943910ZR (Included with 02R kit)
Adapter:	BD0725XXXX Lexus®/Toyota® Wallet Key

First generation Futura and Futura NA accessories are compatible with Futura Pro • Futura Pro has been designed and manufactured in conformity with CE mark
*Contact Ilco for other optional accessories, including accessories for: Abus®, Assa®, CES®, Cisa®, Dom®, Iseo®, Kaba®, Keso®, Mul.T.Lock®, Pfaffenhain®, Securemme®, Winkhaus®, BMW®, Citroen®, Ford®, Huf® and Mercedes® type keys.

20161116



Engraving

Engraving Kit for Futura and Futura Pro

Further increase the capabilities of the Futura series electronic key cutting machines with the new Futura Engraving Kit. The kit is compatible with Futura, Futura PRO and Futura Pro One. Simply change the cutter and install the engraving jaws on the 01R clamp (dimple/laser side) to easily engrave keys, small medallions and plates.

Kit Components

The special engraving jaws (01E and 02E) securely grip a vast array of metal and aluminum keys, small medallions and plates. These jaws feature 3 areas (or steps) for items of different dimensions:

1.02" - 1.26" X 1.57"	(26-32mm x 40mm)
.79" - 1.02" X 1.57"	(20-26mm x 40mm)
.32" - .55" X 1.57"	(8-14mm x 40mm)

The engraving cutter (18DW) engraves both metal and aluminum.

Software

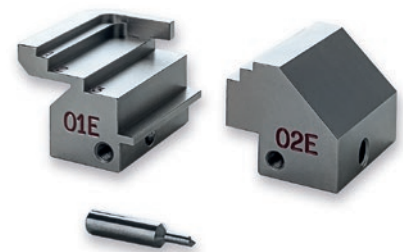
Engrave a variety of metal and aluminum keys, small medallions and plates. Software is pre-set to include over 220 default user templates (models) for keys, medals and plates and identifies the areas for inserting text.

The User Model Editor allows the user to "customize" an existing template to create new templates (models), not present in the database. Once created, the user can name and save the template for future use.

Each template allows you to select the depth of the engraving and indicates the jaw step you should use based on the dimensions of the key or tag being engraved.

Optimize processing with the job queues; simply set up the specific engraving parameters to begin the process and place it in the job queue for engraving at a later time.

The engraving software is FREE and will automatically load when performing a software update on the Futura (version 3.3.0) or Futura PRO (version 3.5.0).



D749614ZB Futura Engraving Kit

Includes 01E Jaw, 02E Jaw and a18DW Cutter

ilco



ilco

AD ADVANCED DIAGNOSTICS

dormakaba Group

Software Subscriptions

for Futura Series



Tired of having to renew your FUTURA SW Subscription each year in order to keep up with new CARDS/Code series? Now you can select your SW Subscription for a multi-year term and save money as well as time!

SW Web Subscriptions are now available for the popular Futura line of electronic key machines for one-year, three-year, five-year and 10-year subscriptions.

- | | |
|-------------------|---|
| BK0469XXXX | SW-Web Subscription One Year (Futura) |
| BK0490XXXX | SW-Web Subscription Three Years (Futura) (30% Savings*) |
| BK0491XXXX | SW-Web Subscription Five Years (Futura) (50% Savings*) |
| BK0492XXXX | SW-Web Subscription Ten Years (Futura) (70% Savings*) |

*Savings based on standard one-year subscription MSRP price effective 1/1/18.

Notes:

Machine must be registered before SW subscription can be activated.
Customer must provide serial number of machine when ordering SW subscriptions.
Software subscriptions end on December 31st of the year of expiration
(example, 3-year subscription purchased 2/15/18 will expire 12/31/21).

All the brand and product names mentioned are registered trademarks and exclusive property of authorized manufacturers. Said trademarks or trade names are nominated only for the purposes of information in order to be rapidly identified.



Code Maker

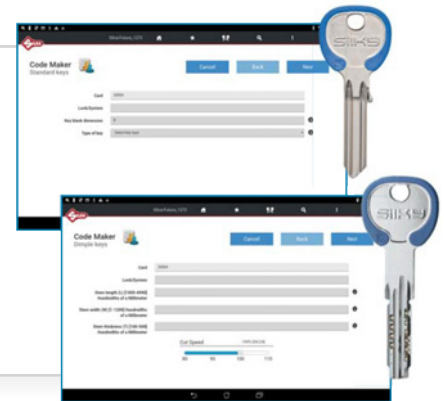
for Futura Series



This exclusive software for creating cards that are not yet in the Silca database is now available for the Futura Series (Futura, Futura NA, Futura Pro) of electronic key cutting machines.

What is Code Maker and why do you need it?

Code Maker is an optional software functionality for the Futura series (Futura, Futura NA, Futura PRO) allowing the key cutter to create cards for keys not yet available in the Silca Database. Once purchased Code Maker is accessible via the Futura tablet and activated by updating the Futura software. It can then be used off-line without an internet connection.



What types of keys are supported?

With Code Maker you can create cutting cards for both flat and dimple keys. The creation of cutting cards for laser keys is not supported.

Remember that it is important to provide the distributor with the Futura serial number when placing your order.



PEAKS® / BEST® Clamp for Futura Machines



PEAKS® / BEST® Clamp for Futura Machines

Eliminate the hassle of tip-stopping Kaba Peaks® and Best® keys with the new 07V clamp for the Futura, Futura PRO and Futura Edge. The optional 07V clamp has a built-in tip stop to allow the user to easily clamp all current keyways for Kaba Peaks® and Best® keys.

Jaw position E (BEST®) is designed for clamping Best® keys that have 0.150" spacing between cuts and can also be used for the Peaks® applications that utilize the 0.150" spacing. Jaw position F is used for the Peaks® systems utilizing 0.140" spacing. Simply install the 07V in place of the 01V and calibrate the clamp to the machine.

You must have a current software subscription to update the Futura software to allow use of the 07V clamp. The first time you use the specific card you will need to go into "Card Options" and select the 07V Clamp.

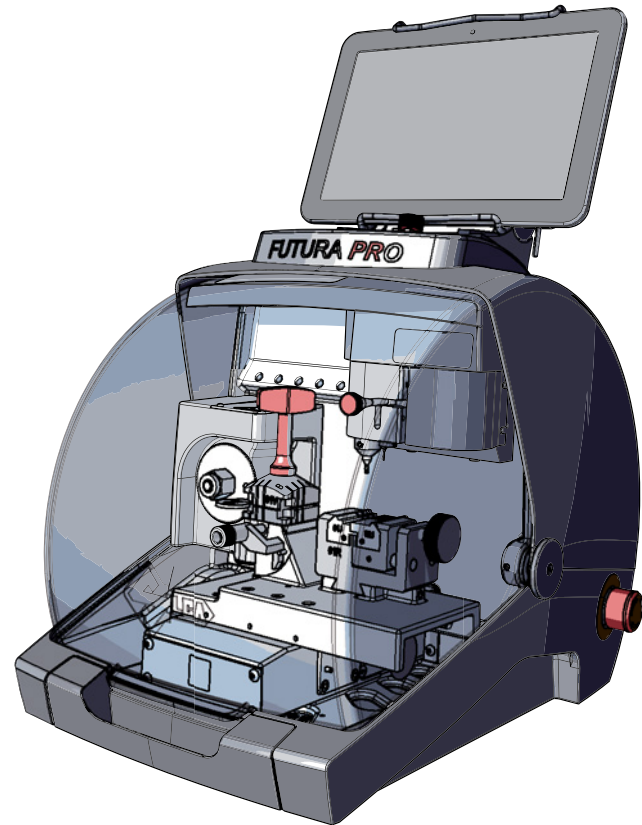
How to order:

Order No.: BJ1358XXXX D749960ZB 07V PEAKS / BEST JAW (FUTURA)





FUTURA *PRO*



Exploded drawing and spare parts list

Attention: for repairs or replacement of parts for maintenance, the "CE" mark is guaranteed only if original spare parts provided by the manufacturer are used.

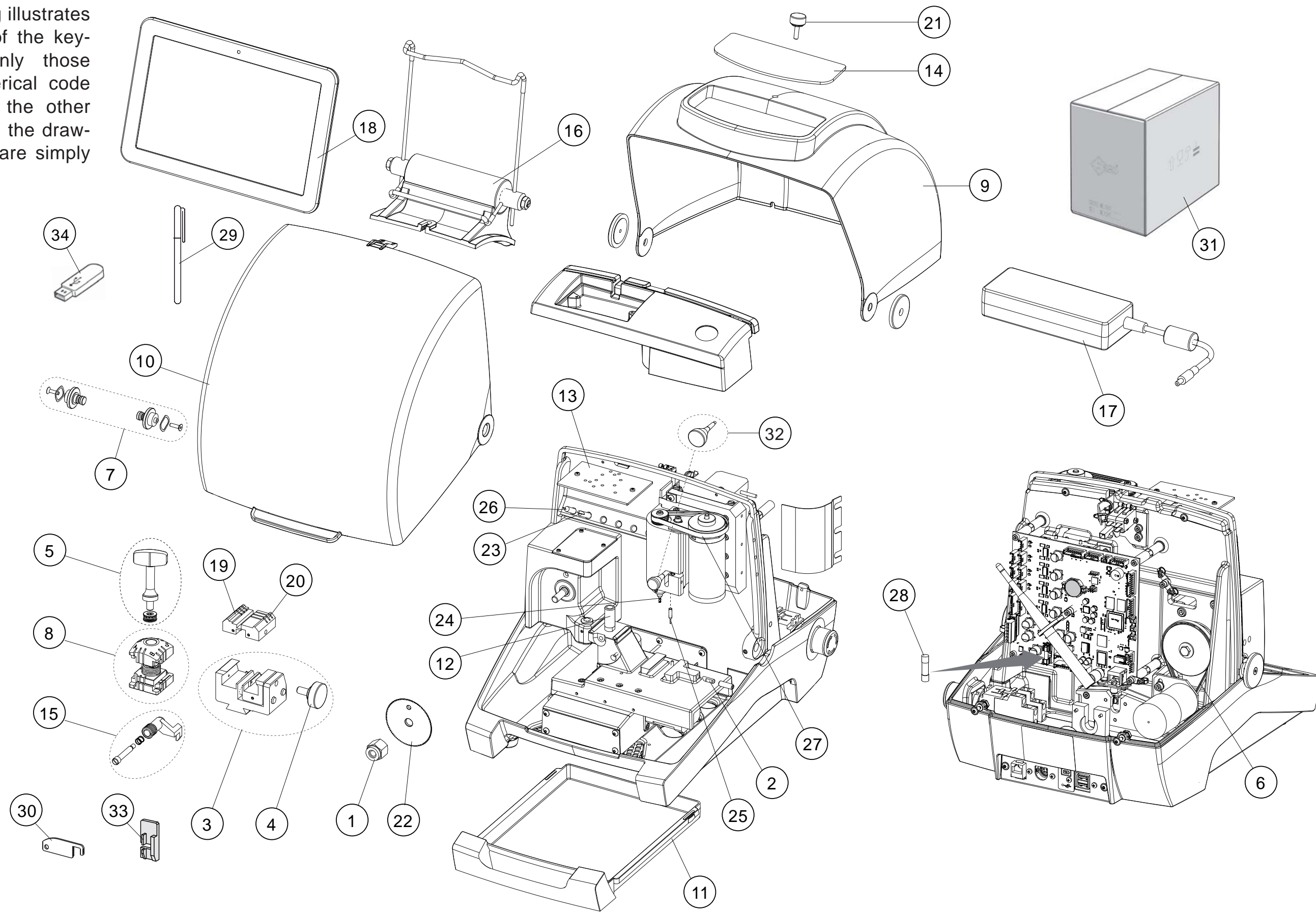
Silca guarantees supplies of the listed spare parts for 7 years from the date the product is discontinued.

FUTURA PRO

Ref.	Code	
1	D906035ZR	CUTTING TOOL NUT
2	D908753ZR	PAD
3	D942570ZR	CLAMP 01R
4	D942575ZR	CLAMP 01R KNOB
5	D947243ZR	CLAMP 01V KNOB
6	D946446ZR	BELT (FLAT) FUTURA PRO
7	D942612ZR	PAWL
8	D942846ZR	CLAMP 01V
9	D947254ZR	COVER FUTURA PRO
10	D947257ZR	TRANSPARENT PROTECTION FUTURA PRO
11	D947258ZR	CHIPPINGS TRAY FUTURA PRO
12	D942985ZR	READER PIN
13	D942993ZR	LED LAMP
14	D947034ZR	PAD FUTURA PRO
15	D943003ZR	GAUGE
16	D946872ZR	TABLET HOLDER FUTURA PRO
17	D946433ZR	POWER PROVIDER
18	D943245ZR	TABLET
19	D943253ZR	JAW 01J
20	D943254ZR	JAW 02J
21	D947259ZR	HANDLE FUTURA PRO
22	D747276ZB	CUTTER 01F FUTURA PRO
23	D742867ZB	CUTTER 01D
24	D747838ZB	CUTTER 01LW
25	D942565ZR	TRACER POINT 01T
26	D942866ZR	TRACER POINT 02T
27	D942601ZR	BELT (TRACK/DIMPLE) FUTURA PRO
28	D908726ZR	FUSES 4 AMP. - DELAYED
29	D944061ZR	TOUCH PEN
30	D943754ZR	STOP BAR
31	D943621ZR	PACKAGING
32	D946589ZR	HANDLE SET
33	D946007ZR	TIP STOP
34	D947837ZR	USB PEN

IMPORTANT NOTE!

The exploded drawing illustrates all the components of the key-cutting machine. Only those marked with a numerical code are spare parts. All the other components shown in the drawing without numbers are simply illustrative.



FUTURA *PRO*

If you're looking for quality key cutting machines & programmers, visit our website.