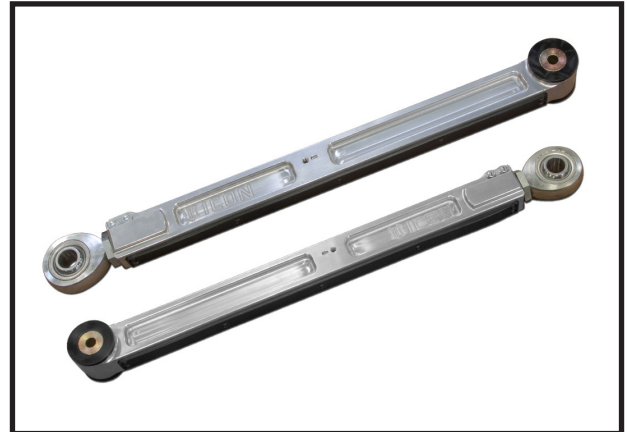


PART #	DESCRIPTION
54000	07-UP FJ/03-UP 4RUNNER BILLET LOWER TRAILING ARM KIT

COMPONENTS INCLUDED	
(2) 157400 BILLET LOWER TRAILING ARM	
HARDWARE INCLUDED	
(2) 157410 FJ LOWER ARM WEAR STRIP (2) 157420 NUT PLATE 3/8-16 X 2 CZINC (2) 157430 HEIM SPACER JM16 X .570 X 2.075 CZINC (2) 127005 HEIM SPACER JM16 X .570 X 2.625 CZINC (2) 167014 L/R ADJ SLEEVE 1.25-12L / 1.00-14 (2) 295510 JM16-1T, 1-14 RH ROD END F1 FIT	(14) 605017 10-32 X .500 FHSCS SS 18-8 RAW (4) 605146 3/8-16 X 1.500 12PT FLANGED CAP SCREW GR8 CZINC (2) 297038 LOAD RING 2.050 X 1.380 X .325 75D (4) 297035 HAT BUSHING 2.125 X 1.375 X 1.000 (2) 219002 SLEEVE 1.375 X .565 X 2.365 YZINC (2) 605904 1/4-28 FLUSH STYLE GREASE FITTING
TOOLS REQUIRED	
JACK JACK STANDS	21MM SOCKET / WRENCH TORQUE WRENCH
TECH NOTES	
N/A	

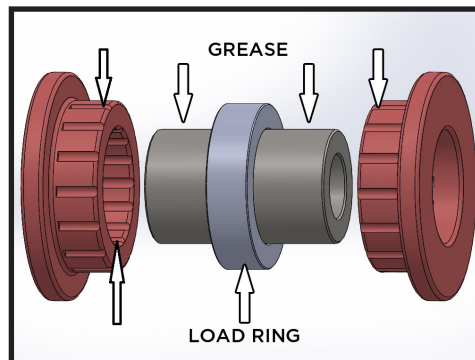


WARNING!
** READ ALL INSTRUCTIONS THOROUGHLY FROM START TO FINISH BEFORE BEGINNING INSTALLATION! IF THESE INSTRUCTIONS ARE NOT PROPERLY FOLLOWED SEVERE FRAME, SUSPENSION AND TIRE DAMAGE MAY RESULT TO THE VEHICLE!
** ICON VEHICLE DYNAMICS RECOMMENDS THAT YOU EXERCISE EXTREME CAUTION WHEN WORKING UNDER A VEHICLE THAT IS SUPPORTED WITH JACK STANDS.

INSTALLATION

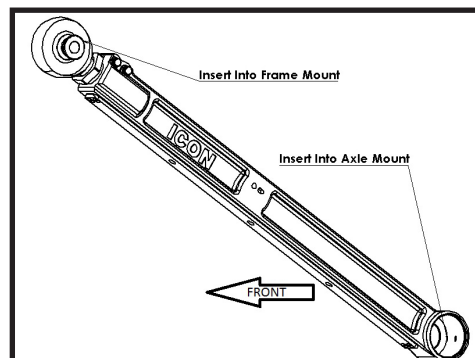
- Using a properly rated jack, raise the rear of the vehicle and support the frame rails with jack stands. Ensure the jack stands are secure and set properly before lowering the jack. NEVER WORK UNDER AN UNSUPPORTED VEHICLE.
- Assemble bushings into links with load ring sandwiched between hat bushings. Apply waterproof lubricant thoroughly. Failure to apply grease will cause premature wear and increased noise. (FIGURE 1)

FIG.1



- Remove one factory link at a time. Install the link in to the frame mount first with the short spacer towards the inside of the vehicle and the pinch bolt heads facing out. This moves the front link pivot points closer together on the frame and helps correct roll steer geometry on lifted vehicles. (FIGURE 2)

FIG.2



4. Without letting the bar turn, adjust the length by turning the silver hex collar. The collar and the rod end will move equal amounts. Adjust until the rear holes line up and insert bolt. Adjust the collar in to take up the slack in the arm length.
5. Repeat on the other side.
6. Adjust link length to factory length initially. (26.75"). If custom pinion angle is desired you can adjust this later with the vehicle on the ground.
7. Tighten pinch bolts [Torque to 40 ft-lbs]. Go back and forth between bolts 3 times to torque equally.
8. Tighten factory bolts to factory spec. Mount E-brake mount to arm with factory hardware. (FIGURE 3)

FIG.3



VERIFY ALL FASTENERS ARE PROPERLY TORQUED BEFORE DRIVING VEHICLE.

RETORQUE ALL NUTS, BOLTS AND LUGS AFTER 100 MILES AND PERIODICALLY THEREAFTER.

ICON VEHICLE DYNAMICS LIMITED LIFETIME WARRANTY

ICON Vehicle Dynamics warrants to the original retail purchaser who owns the vehicle on which the product was originally installed. ICON Vehicle Dynamics does not warrant the product for finish, alterations, modifications and/or installation contrary to ICON Vehicle Dynamics instructions. ICON Vehicle Dynamics products are not designed, nor are they intended to be installed on vehicles used in race applications, for racing purposes or for similar activities. (A "race" is defined as any contest between two or more vehicles, or a contest of one or more vehicles against the clock, whether or not such contest is for a prize). This warranty does not include coverage for police or taxi vehicles, race vehicles, or vehicles used for government or commercial purposes. Also excluded from this warranty are sales outside of the United States of America and Canada.

ICON Vehicle Dynamics' obligation under this warranty is limited to the repair or replacement, at ICON Vehicle Dynamics' discretion, of the defective product. Any and all costs of removal, installation or re-installation, freight charges and incidental or consequential damages are expressly excluded from this warranty. Items that are subject to wear are not considered defective when worn and are not covered.

ICON Vehicle Dynamics components must be installed as a complete kit as shown in our current application guide. Any substitutions or exemptions of required components will immediately void the warranty. Some finish damage may happen to parts during shipping and is not covered under warranty.

This warranty is expressly in lieu of all other warranties expressed or implied. This warranty shall not apply to any product that has been improperly installed, modified or customized subject to accident, negligence, abuse or misuse.

ICON VEHICLE DYNAMICS
PERFORMANCE SUSPENSION SYSTEMS AND SHOCK ABSORBERS