

7929 Lincoln Ave. Riverside, CA 92504
 Phone: 951.689.ICON Fax: 951.689.1016

PART #	DESCRIPTION
28005	2010-UP JEEP GRAND CHEROKEE COILOVER KIT

COMPONENTS INCLUDED	
(1) 124943D 2011+ GRAND CHEROKEE COILOVER (DRIVER) (1) 124943P 2011+ GRAND CHEROKEE COILOVER (PASSENGER) (2) 124024 WK2 REAR FORK	(1) 124028 WK2 FRONT DRIVER FORK (1) 124029 WK2 FRONT PASSENGER FORK (1) 611019 COILOVER HARDWARE KIT
HARDWARE INCLUDED	
611019 HARDWARE KIT	
(6) 605101 3/8"-16 X 1.000 HHCS GR8 YZINC	(6) 605131 3/8" SPLIT LOCK WASHER GR8 YZINC
605302 HARDWARE KIT	
(8) 605302 1/2"-13 X 1.500 BOLT	
TOOLS REQUIRED	
JACK JACK STANDS BALL JOINT SEPERATOR HAMMER CUTTING WHEEL	13MM SOCKET / WRENCH 21MM SOCKET / WRENCH 24MM SOCKET / WRENCH 9/16" SOCKET / WRENCH TORQUE WRENCH
TECH NOTES	
1. DO NOT PRELOAD THE COIL BEYOND 1.5" OF EXPOSED THREADS BETWEEN THE BOTTOM OF THE TOP CAP AND THE TOP OF THE COIL ADJUSTER NUT.	



WARNING!

**** READ ALL INSTRUCTIONS THOROUGHLY FROM START TO FINISH BEFORE BEGINNING INSTALLATION! IF THESE INSTRUCTIONS ARE NOT PROPERLY FOLLOWED SEVERE FRAME, SUSPENSION AND TIRE DAMAGE MAY RESULT TO THE VEHICLE!**

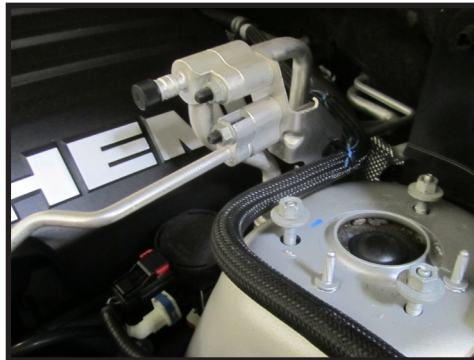
**** ICON VEHICLE DYNAMICS RECOMMENDS THAT YOU EXERCISE EXTREME CAUTION WHEN WORKING UNDER A VEHICLE THAT IS SUPPORTED WITH JACK STANDS.**

INSTALLATION

1. Using a properly rated jack, raise the front of the vehicle and support the frame rails with jack stands. Ensure the jack stands are secure and set properly before lowering the jack. NEVER WORK UNDER AN UNSUPPORTED VEHICLE.

2. Open the hood and remove the 3 nuts from the top of each of the shock buckets using a 13mm. Remove the nut from the lower mounting bolt using a 21mm and a 24mm. (FIGURE 1)

FIG.1



3. Using a 21mm socket/wrench, loosen the nut from the UCA/spindle. Separate the ball joint using a ball joint separator or a hammer. Remove the nut carefully as the UCA will be under tension. (FIGURE 2)

FIG.2



4. Tie the spindle to the frame to ensure the CV joints on the axles are not over extended.

5. Cut the rearward side of the factory shock fork off being careful not to damage the CV boot or cut through the shock body. This is the recommended procedure. If you want to retain the factory shocks without cutting, refer to a Jeep service manual for removal. (FIGURE 3)



FIG.3

6. Remove the lower bolt and remove the factory coilover. This may require some downward force at the end of the lower a-arm to overcome the upward force created by the bonded rubber bushings.

7. There is a driver side and a passenger side coilover. Identify the driver side coilover using the top view of the upper mount. (FIGURE 4)

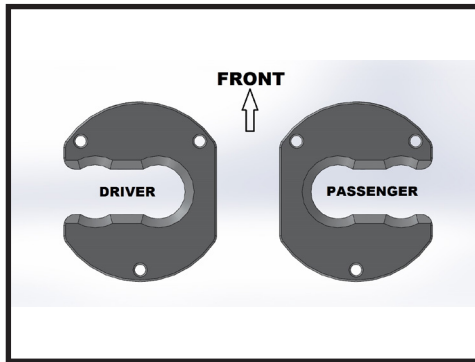


FIG.4

8. Install the rearward fork on both ICON coilovers using the supplied 1/2" hardware and a 3/4" socket/wrench. [Torque to 75 ft-lbs] (FIGURE 5)

9. Install the driver side coilover from behind the axle using downward force on the lower arm. Insert the lower bolt from the rear. (FIGURE 5)



FIG.5

10. Install the driver side front fork (124028) using the supplied 1/2" hardware. [Torque to 75 ft-lbs] (FIGURE 6)



FIG.6

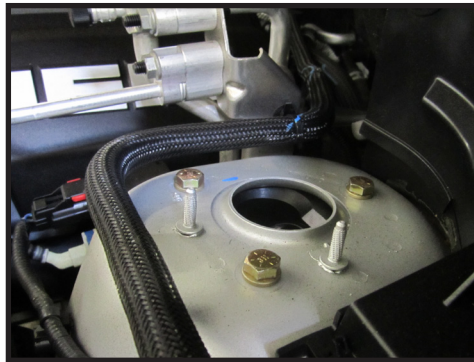
11. Install the nut and tighten the lower bolt using a 21mm socket/wrench and a 24mm socket/wrench. [Torque to factory spec] (FIGURE 7)

FIG.7



12. Connect the upper mount to the shock bucket using the supplied 3/8" hardware and a 9/16" socket/wrench. [Torque to 30 ft-lbs] (FIGURE 8)

FIG.8



13. Reconnect the UCA to the spindle using a 21mm socket/wrench. [Torque to factory spec]

14. Repeat steps for the passenger side.

15. Install the front wheels and set the vehicle on the ground.

16. Have the vehicle professionally aligned.

VERIFY ALL FASTENERS ARE PROPERLY TORQUED BEFORE DRIVING VEHICLE.

RETORQUE ALL NUTS, BOLTS AND LUGS AFTER 100 MILES AND PERIODICALLY THEREAFTER.

2.5 VS SERIES SHOCK & COILOVER TECHNICAL INFORMATION

MAINTENANCE

ICON shock absorbers are a high quality rebuildable race style shock absorber designed for optimal performance. With a unit of this caliber on your vehicle, routine maintenance is required to keep them looking and operating in like new condition. Residual oil and assembly lube may be present at all seal paths from the factory out of the box and is considered normal. Pooling of oil however is not acceptable at any time and one should contact the ICON dealer where purchased.

BELOW ARE GUIDELINES BASED ON HOW YOU USE YOUR VEHICLE BUT YOUR MILEAGE MAY VARY:

STREET USE:

- Send in for factory servicing every 40,000 miles or if a leak develops, ride quality decreases, or they begin to make excessive noise.
- Remove any buildup of road salt, mud, or debris from shocks and coil springs anytime accrued
- Clean with mild soap and water with each oil change or anytime you notice build up.
- Wax the cylinders yearly with automotive wax to prevent corrosion.
- Check nitrogen pressure yearly. (252004 charge needle assembly available at any ICON distributor)
- Check bearings for excessive wear yearly.
- **DO NOT** apply any type of lube to the upper and lower bearings.

STREET/DIRT:

- Send in for factory servicing every 15,000 miles or if a leak develops, ride quality decreases, or they begin to make excessive noise.
- Clean with mild soap and water with each oil change, offroad trip, or anytime you notice build up.
- Wax the cylinders yearly with automotive wax to prevent corrosion.
- Check nitrogen pressure each dirt outing. (252004 charge needle assembly available at any ICON distributor)
- Check bearings for excessive wear yearly.
- **DO NOT** apply any type of lube to the upper and lower bearings.

DIRT USE:

- Send in for factory servicing every 1,000 miles.
- Check nitrogen pressure each outing. (252004 charge needle assembly available at any ICON distributor)
- Remove any buildup of mud or debris from shocks and coil springs after every outing.

SELF-SERVICE:

- Contact ICON for service kits & tools at (951) 689-4266.

PRODUCT REGISTRATION

Please visit: <http://www.iconvehicledynamics.com/tech-support/registration/> to register your product.

ICON VEHICLE DYNAMICS SHOCK ABSORBER WARRANTY

This shock absorber has a 1 year warranty against any manufacturer's defects. If a shock fails within the initial year of ownership, the shock must be shipped to ICON Vehicle Dynamics for inspection and service. If a shock is inspected and it has been determined the shock failed due to neglect, damage caused by improper installation or any other reason besides "normal wear and tear", the owner of said shock is responsible for all service costs. This includes labor, parts, and shipping.

ICON Vehicle Dynamics warrants to the original retail purchaser who owns the vehicle on which the product was originally installed. ICON Vehicle Dynamics does not warrant the product for finish, alterations, modifications and/or installation contrary to ICON Vehicle Dynamics instructions. ICON Vehicle Dynamics products are not designed, nor are they intended to be installed on vehicles used in race applications, for racing purposes or for similar activities. (A "race" is defined as any contest between two or more vehicles, or a contest of one or more vehicles against the clock, whether or not such contest is for a prize). This warranty does not include coverage for police or taxi vehicles, race vehicles, or vehicles used for government or commercial purposes. Also excluded from this warranty are sales outside of the United States of America and Canada.

ICON Vehicle Dynamics' obligation under this warranty is limited to the repair or replacement, at ICON Vehicle Dynamics' discretion, of the defective product. Any and all costs of removal, installation or re-installation, freight charges and incidental or consequential damages are expressly excluded from this warranty. Items that are subject to wear are not considered defective when worn and are not covered.

ICON Vehicle Dynamics components must be installed as a complete kit as shown in our current application guide. Any substitutions or exemptions of required components will immediately void the warranty. Some finish damage may happen to parts during shipping and is not covered under warranty.

This warranty is expressly in lieu of all other warranties expressed or implied. This warranty shall not apply to any product that has been improperly installed, modified or customized subject to accident, negligence, abuse or misuse.

To send a shock in for warranty please visit our website <http://www.iconvehicledynamics.com/tech-support/shock-service/>

ICON VEHICLE DYNAMICS

PERFORMANCE SUSPENSION SYSTEMS AND SHOCK ABSORBERS

7929 Lincoln Ave. Riverside, CA 92504 Phone: 951.689.ICON Fax: 951.689.1016
www.iconvehicledynamics.com



FOLLOW US ON FACEBOOK!

