

99-01 FORD SUPER DUTY FRONT MUD GUARDS INSTALLATION INSTRUCTIONS

Please read instructions thoroughly before installation.

Tools Required:

- 1/8" drill bit / Drill
- Center punch / Hammer
- Short Phillips screwdriver or drill attachment
- Marking utensil (fine tip marker, grease pencil, etc.)

Package Contents

- Driver & passenger side mud guard
- #10 screw (qty. 8)
- U-clip (qty. 2)
- Instruction sheet

NOTE: Turn the front wheels all the way to the left or right for mud guard installation. However, it may be necessary to remove the wheels depending on the tools being used for installation.

1. Clean and degrease the mud guard location area on the fender before installation.
2. Remove existing fastener from location B (Figure 1).
3. Attach mud guard to front fender replacing the existing fastener with a #10 screw at location B, check fit and parallel. Adjust accordingly before tightening.
4. Center punch and drill 1/8" hole at locations A & C.
5. Install a #10 screw at locations A & C.
6. Drill a 1/8" hole at location D.
7. Install a #10 screw through location D and into a U-clip on the backside of the liner (Figure 2).

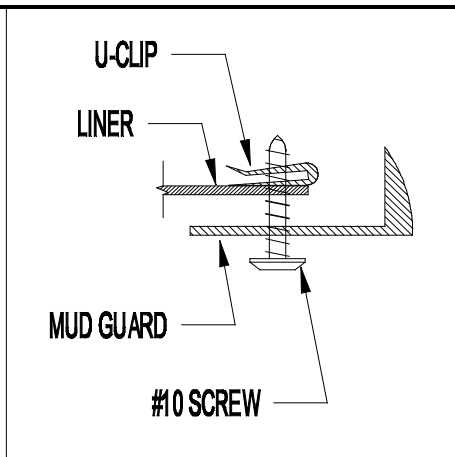


Figure 2

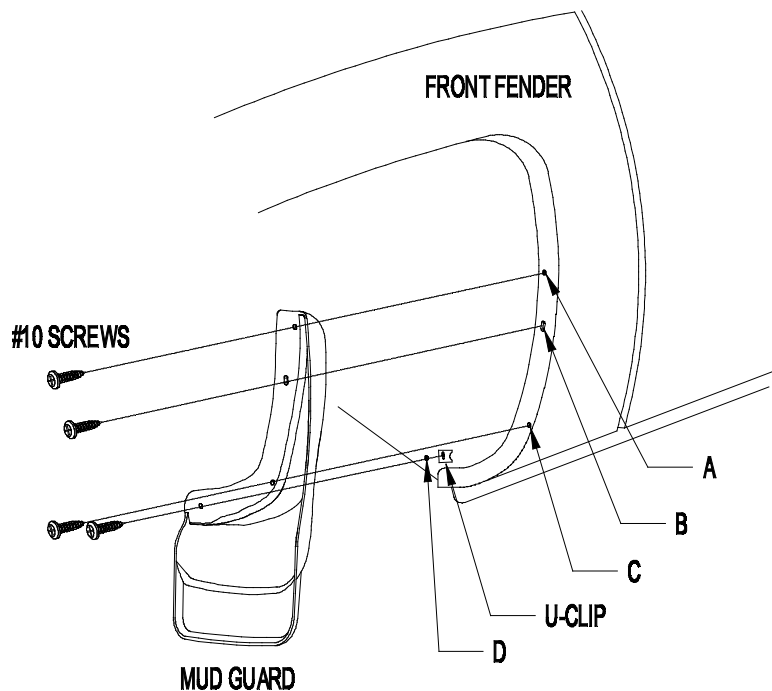


Figure 1

PAINTING INSTRUCTIONS

1. Clean mud guard with a soap and water solution to remove dirt and other contaminants.
2. Sand painting surface with 320 grit sand paper.
3. Apply a coating of flexible primer-adhesion promoter.
4. Apply a flexible paint as directed by the paint manufacturer