

THANK YOU FOR SELECTING A HUSKY FLOOR LINER



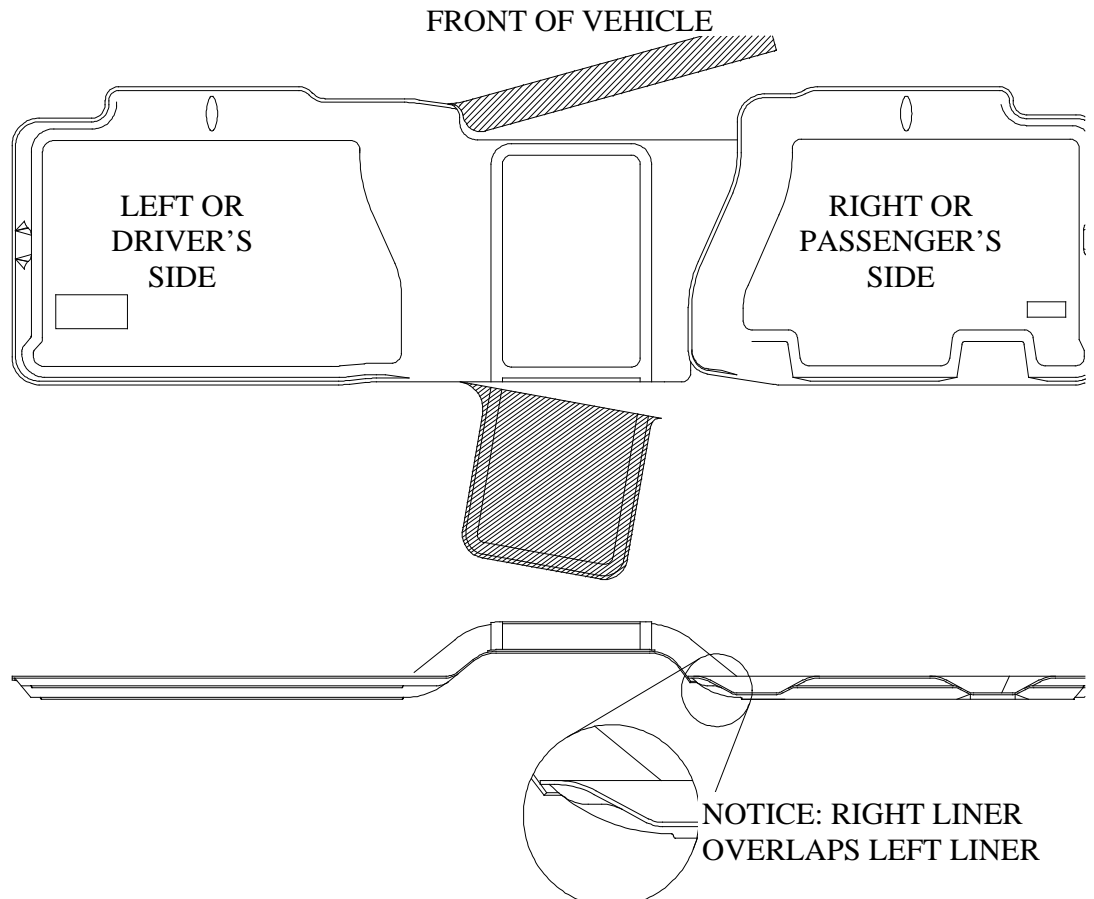
FROM WINFIELD CONSUMER PRODUCTS

CARE AND USE INSTRUCTIONS

Your new floor liners are custom molded to fit your particular vehicle. The liners are made to take the place of your factory floor mats. For correct fit, it is necessary to remove the factory floor mats before installing your new floor liners. *However, do not remove the factory-installed carpeting.*

Your liners are made from an engineering resin that is lightweight and extremely tough and durable. The easiest way to clean your liners is with a damp cloth or sponge. If using a cleaner, 409[®] or Glass Plus[®] work well. Use of Armor All[®], Son-of-a-Gun[®] or similar items is discouraged as these products make the liners slick.

INSTALLATION INSTRUCTIONS FOR YOUR SECOND SEAT CHEVROLET SUBURBAN/GMC YUKON XL FLOOR LINERS



YUKON DENALI XL OWNERS WILL NEED TO TRIM THEIR DRIVER'S SIDE LINER AS SHOWN ABOVE TOP TO ALLOW FOR THE LARGER CENTER CONSOLE (SEE PHOTOS ON BACK). TRIM AWAY THE LOWERED AREA ON THE LINER. A UTILITY KNIFE OR HEAVY SHEARS WORK WELL FOR TRIMMING. ON VEHICLES EQUIPPED WITH A REAR BENCH SEAT, A PORTION OF THE SECOND SEAT LINER (SHOWN ABOVE HATCHED) CAN BE TRIMMED OFF TO ALLOW EASIER INSTALLATION AND REMOVAL. TRIM ALONG THE EDGE OF THE BAND BISECTING THE CENTER PORTION

PHOTOS OF PART #6275 TRIMMED FOR THE YUKON XL
DENALI CENTER CONSOLE

