

THANK YOU FOR SELECTING A HUSKY FLOOR LINER



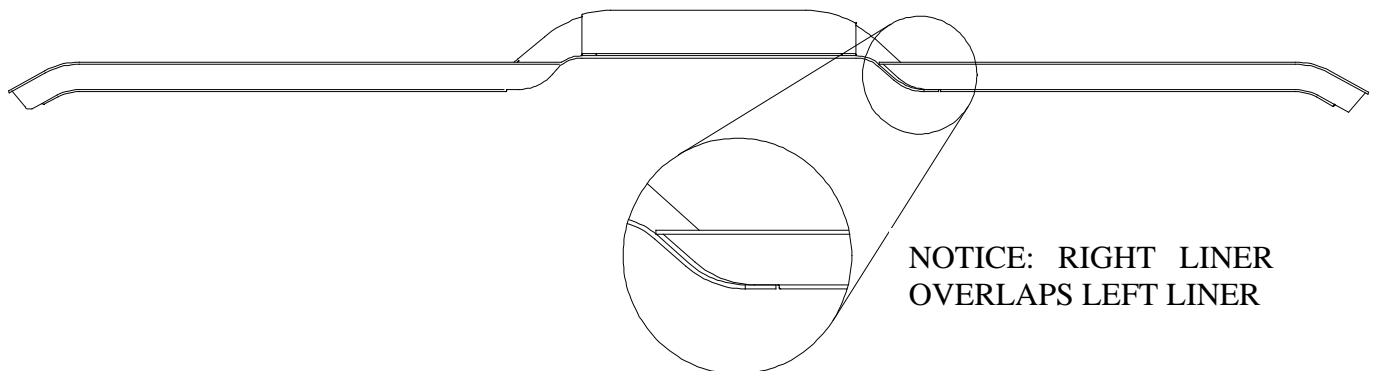
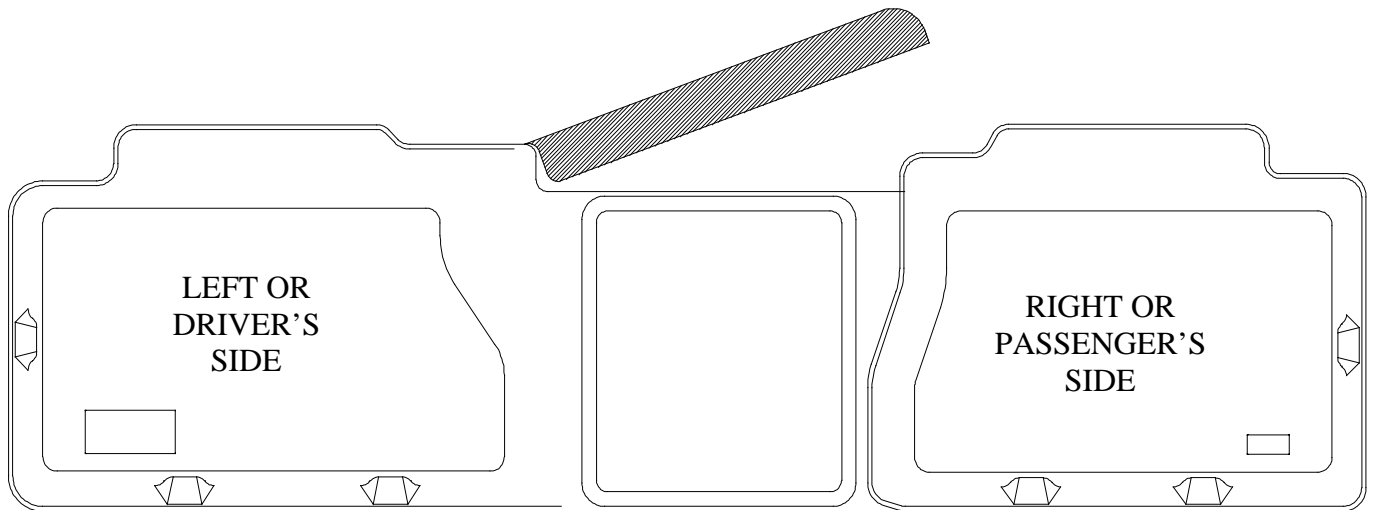
FROM WINFIELD CONSUMER PRODUCTS CARE AND USE INSTRUCTIONS

Your new floor liners are custom molded to fit your particular vehicle. The liners are made to take the place of your factory floor mats. For correct fit, it is necessary to remove the factory floor mats before installing your new floor liners. *However, do not remove the factory-installed carpeting.*

Your liners are made from an engineering resin that is lightweight and extremely tough and durable. The easiest way to clean your liners is with a damp cloth or sponge. If using a cleaner, 409® or Glass Plus® work well. Use of Armor All®, Son-of-a-Gun® or similar items is discouraged as these products make the liners slick.

INSTALLATION INSTRUCTIONS FOR YOUR SECOND SEAT CHEVROLET TAHOE/GMC YUKON/DENALI FLOOR LINERS

FRONT OF VEHICLE



NOTICE: RIGHT LINER
OVERLAPS LEFT LINER

YUKON DENALI OWNERS WILL NEED TO TRIM THEIR LINER TO ACCOMMODATE THE FACTORY EQUIPPED CONSOLE. TRIM AWAY THE MATERIAL ON THE LINER THAT IS LOWERED AS DEMONSTRATED ABOVE AND AS SHOWN ON THE PHOTOS ON THE REVERSE SIDE.

**PHOTOS OF HUSKY SECOND SEAT FLOOR LINER #6145 TRIMMED
TO FIT YUKON DENALI**

