

HONDA RIDGELINE REAR MUD GUARD INSTALLATION INSTRUCTIONS

Please read instructions thoroughly before installation.

Tools Required

- 1/8" drill bit / Drill
- Center punch / Hammer
- Short Phillips screwdriver or drill attachment

Package Contents

- Driver & passenger side rear mud guard
- #10 SEM screw (qty. 4)
- U-clip (qty. 2)
- Instruction sheet

NOTE: It may be necessary to remove the wheels depending on the tools being used for installation.

1. Clean and degrease the mud guard location area on the fender before installation.
2. Remove existing fasteners from locations A, B, and C (Figure 1).
3. Attach mud guard to rear fender with existing fasteners at locations A and C. Check fit and level before tightening.
4. Install a #10 SEM screw at location B.
5. Using mud guard as a template, mark and drill an 1/8" hole thru the fender liner at location D.
6. Install a #10 SEM screw at location D, thru mud guard, fender liner and into a U-clip placed on the backside of fender liner (Figure 2).

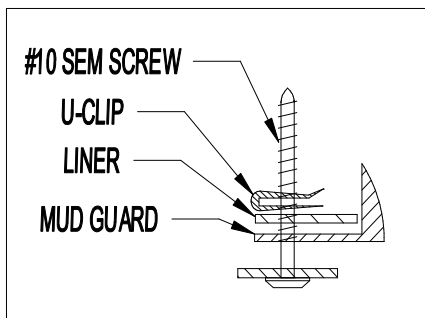


Figure 2

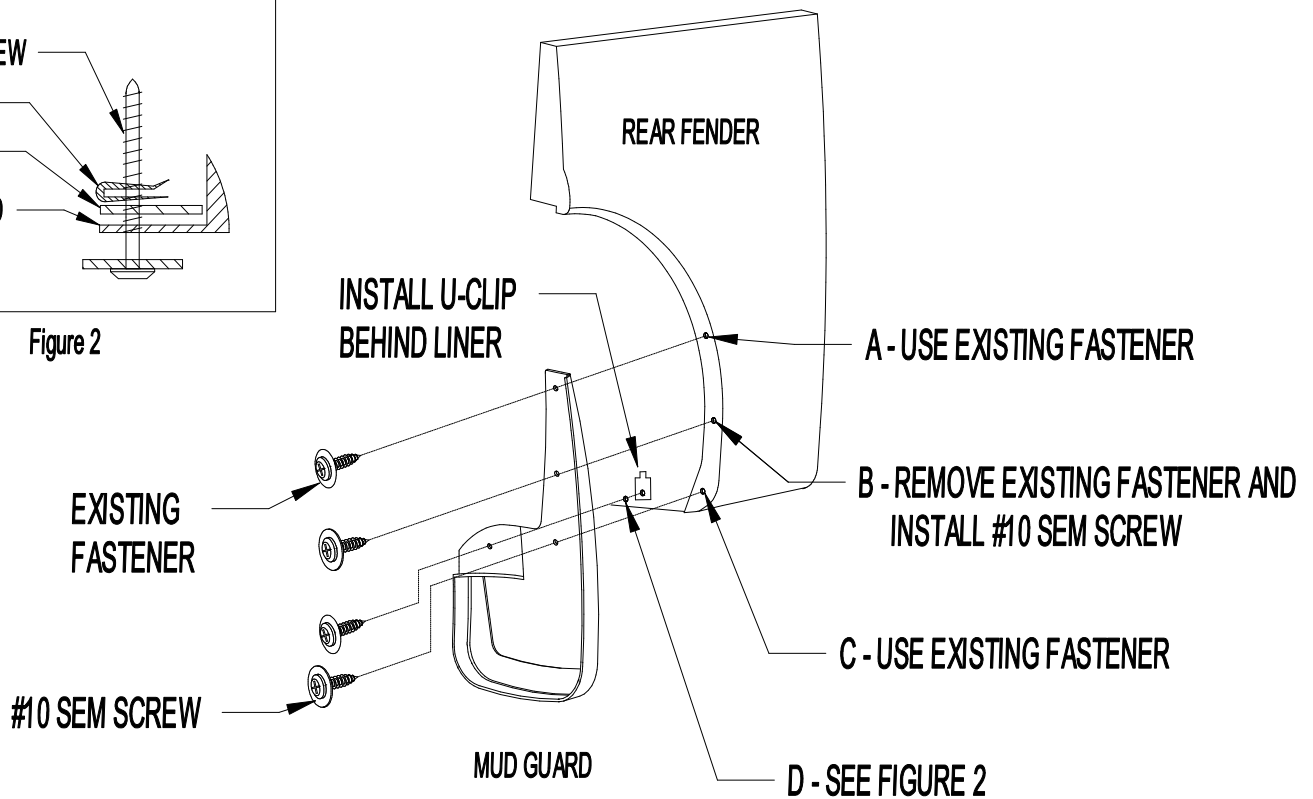


Figure 1

PAINTING INSTRUCTIONS

1. Clean mud guard with a soap and water solution to remove dirt and other contaminants.
2. Sand painting surface with 320 grit sand paper.
3. Apply a coating of flexible primer-adhesion promoter.
4. Apply a flexible paint as directed by the paint manufacturer.