

FORD F-150 w/ FLARES REAR MUD GUARD (REGULAR AND SUPER CAB) INSTALLATION INSTRUCTIONS

*Install Paint Protection Film before mud guards (see other side)
Please read instructions thoroughly before installation.*

Tools Required

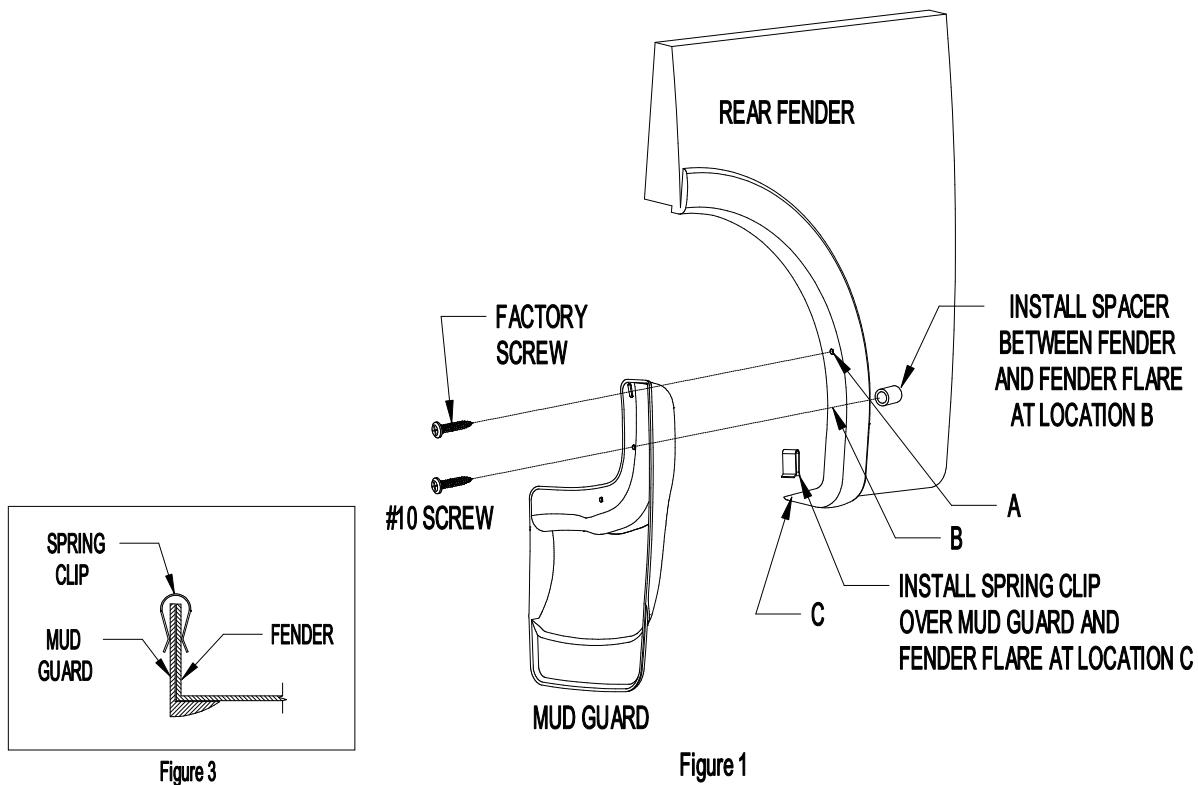
- 1/8" drill bit / Drill
- Short Phillips screwdriver
- Flat head screw driver
- Marking utensil (fine tip marker, grease pencil, etc.)

Package Contents

- Driver & passenger side rear mud guard
- #10 - 1 1/2" screw (qty. 2)
- Spacers (qty. 2)
- Spring clip (qty. 2)
- Paint Protection Film (1 set)
- Instruction sheet

1. Clean and degrease the mud guard location area on the fender before installation.
2. Remove factory fastener from location A (Figure 1).
3. Attach mud guard to rear fender with the factory fastener at location A, check fit and alignment. Adjust accordingly before tightening.
4. Using the mud guard as a template, mark and drill 1/8" hole at location B into fender flare and fender.
5. Install spacer between the fender flare and the fender at locations B (Figure 2).
6. Install a #10 screw at location B, through fender flare, spacer, and fender.
7. Install a spring clip over the fender flare and the mud guard at location C (Figures 1 & 3).

NOTE: Due to the tight fit of the spring clip it may be necessary to increase the spring clip panel opening by prying the open end of the spring clip apart with a flat head screw driver.



PAINTING INSTRUCTIONS

Note: *If painting mud guards, perform a mud guard test fit to ensure correct fit and application prior to painting.*

1. Clean mud guard with a soap and water solution to remove dirt and other contaminants.
2. Sand painting surface with 320 grit sand paper.
3. Apply a coating of flexible primer-adhesion promoter.
4. Apply a flexible paint as directed by the paint manufacturer.



PART NO. **5741**

PAINT PROTECTION FILM - INSTALLATION INSTRUCTIONS

NOTE: *The Paint Protection Film is a precut template of film used to protect the mud guard mounting surfaces of your fenders against wear. The templates (left and right side) can be removed from the backing liner by folding the liner at the center cut of the template, separating the film sides and peeling the film templates from the backing liner.*

1. Position mud guard on fender to indicate placement location of paint protection film.
 2. Clean the placement area of fender with a clean cotton cloth and a petroleum distillate based cleaner such as DuPonts Prep-Sol Brand Solvent Cleaner or 3M Brand Adhesive Cleaner and dry.
 3. Mix a wetting solution of 1 pint of water with 4 drops of liquid dishwashing detergent.
 4. Mark correct position of film by placing mud guard against fender. **Make sure film extends beyond edge of mud guard contour a minimum of an 1/8"**.
 5. Remove protection film from liner and flood adhesive side of film with wetting solution (use a spray bottle or sponge).
 6. Thoroughly wet film placement location of fender with wetting solution.
 7. Position the adhesive side of film on fender and flood with wetting solution.
 8. Check location of film with mud guard and reposition as necessary.
 9. Using a sponge, squeegee any air bubbles and wrinkles from film.
 10. Allow film to dry before installing mud guard.
-