

DODGE RAM DUALY – WITHOUT FENDER FLARES REAR MUD GUARD - INSTALLATION INSTRUCTIONS

Please read instructions thoroughly before installation.

Tools Required

- Short Phillips screwdriver
- Marking Utensil
- Drill / 1/8" drill bit

Package Contents

- Driver & Passenger Side Rear Mud Guards
- #10 SEM Screws (qty. 6)
- Medium U-Clip (qty. 4)
- Instruction Sheet

MUD GUARD INSTALLATION

NOTE: *It may be necessary to remove the wheels before mud guard installation.*

1. Remove the existing fasteners from locations A and B (Figure 1).
2. Attach the mud guard at locations A and B with the existing fasteners. Check the mud guard fit and appearance before tightening.
3. Using the mud guard as a template, mark and drill 1/8" holes at locations C, D, and E.
4. Install a #10 SEM Screw at location C.
5. Install a #10 SEM Screw at locations D and E, thru the fender liner into a U-Clip on the backside of the fender liner. NOTE: The U-Clip does not clip over the fender liner.

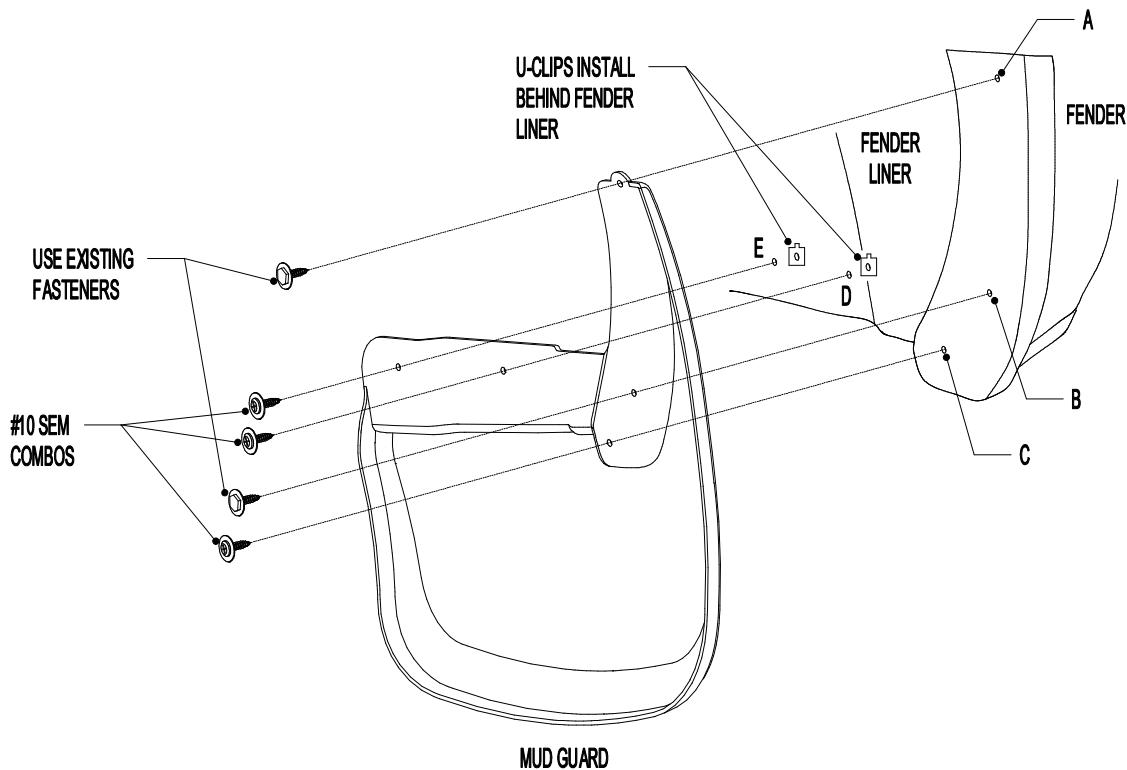


Figure 1

PAINTING INSTRUCTIONS

1. Clean mud guard with soap and water to remove dirt and other contaminants.
2. Sand painting surface with 320 grit sand paper.
3. Apply a coating of flexible primer-adhesion promoter.
4. Apply a flexible paint as directed by the paint manufacturer.