

**GMC ENVOY & ENVOY XL**  
**FRONT MUD GUARD INSTALLATION INSTRUCTIONS**

*Please read instructions thoroughly before installation.*

**Tools Required:**

- 1/8" drill bit / Drill
- Center punch / Hammer
- Short Phillips screwdriver
- Marking utensil (fine tip marker, grease pencil, etc.)

**Package Contents**

- Driver & passenger side mud guard
- #10 screws (qty. 6)
- Instruction sheet

**NOTE:** Turn the front wheels all the way to the left or right for mud guard installation. However, it may be necessary to remove the wheels depending on the tools being used for installation.

1. Clean and degrease the mud guard location area on the fender before installation.
2. Using mud guard as a template, mark, center punch, and drill 1/8" holes at locations A, B & C (Figure 1).
3. Attach mud guard to fender and fender liner with #10 screws at locations A, B & C.

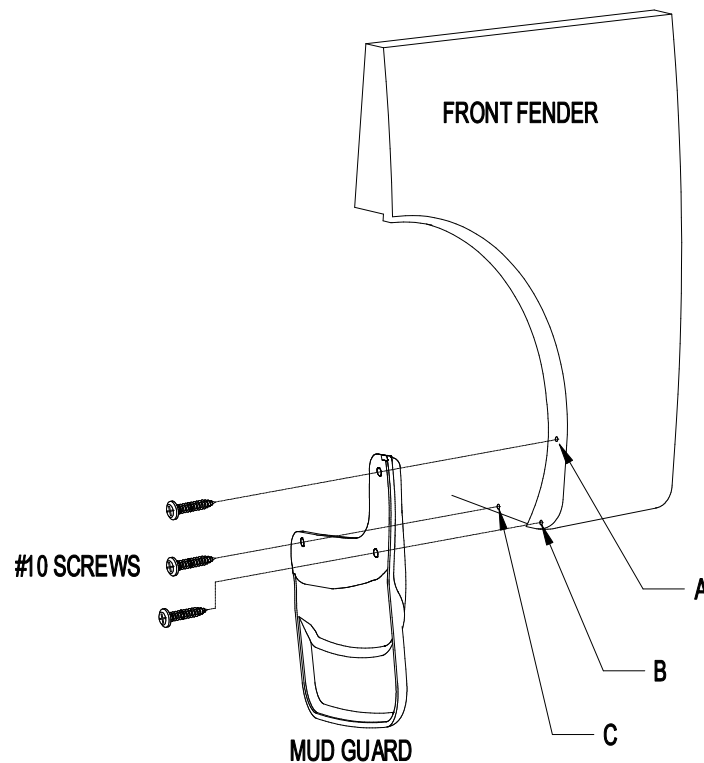


Figure 1

**PAINTING INSTRUCTIONS**

1. Clean mud guard with a soap and water solution to remove dirt and other contaminants.
2. Sand painting surface with 320 grit sand paper.
3. Apply a coating of flexible primer-adhesion promoter.
4. Apply a flexible paint as directed by the paint manufacturer.