

DODGE RAM WITH FENDER FLARES - LOGO READY REAR MUD GUARD INSTALLATION INSTRUCTIONS

Please read instructions thoroughly before installation.

Tools Required

- 1/8" drill bit / Drill
- Short Phillips screwdriver
- Marking utensil (fine tip marker, grease pencil, etc.)

Package Contents

- Driver & Passenger Side Rear Mud Guards
- #10 SEM Screws (qty. 4)
- Small U-Clip (qty. 4)
- Instruction Sheet

NOTE: It may be necessary to remove the wheels before mud guard installation.

1. Remove the existing fasteners from locations A and C (Figure 1).
2. Attach the mud guard at locations A and C with the existing fasteners. Check the mud guard fit and appearance before tightening.
3. Using the mud guard as a template, mark and drill 1/8" holes at locations B and D.
4. Install a #10 SEM Screw at location B, thru the mud guard, the fender flare and fender, and into a Small U-Clip on the backside of the flare and fender.
5. Install a #10 SEM Screw at location D, thru the mud guard, the fender liner, and into a Small U-Clip on the backside of the fender liner.

NOTE: The Small U-Clips do not clip over the fender liner, fender flare or fender.

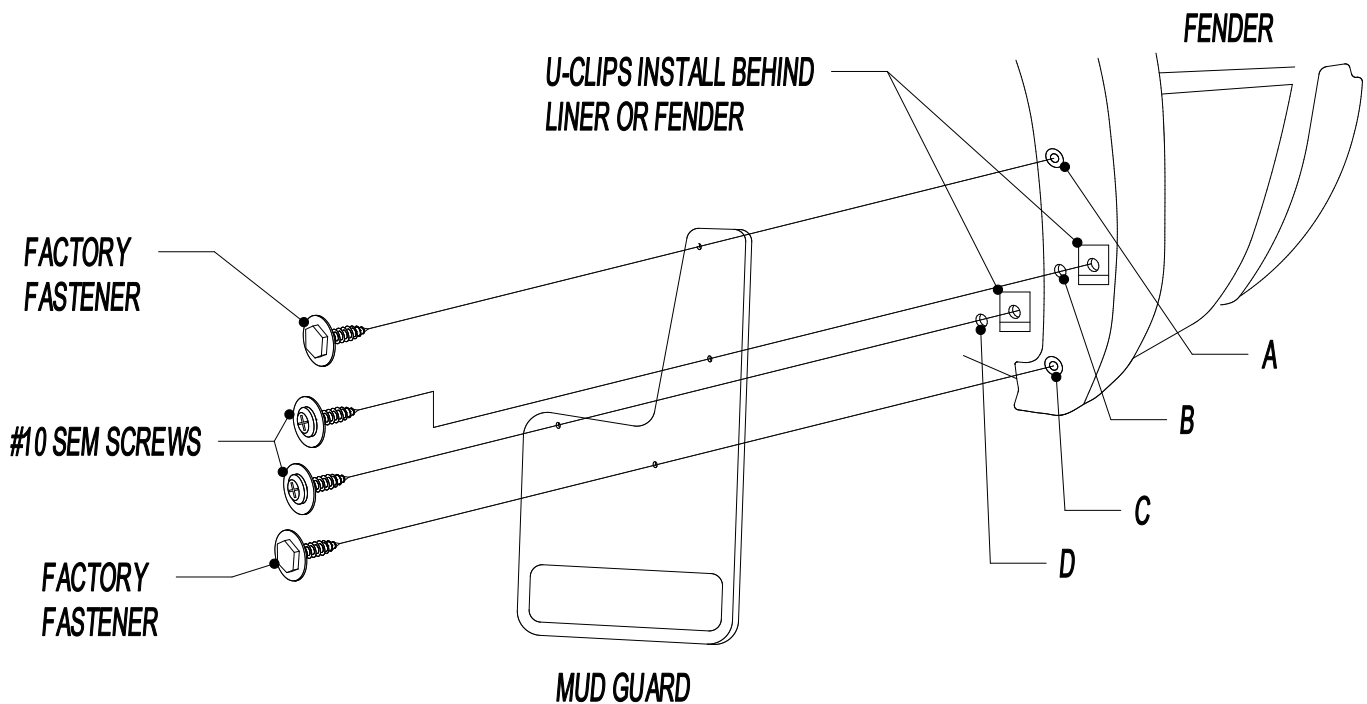


Figure 1