

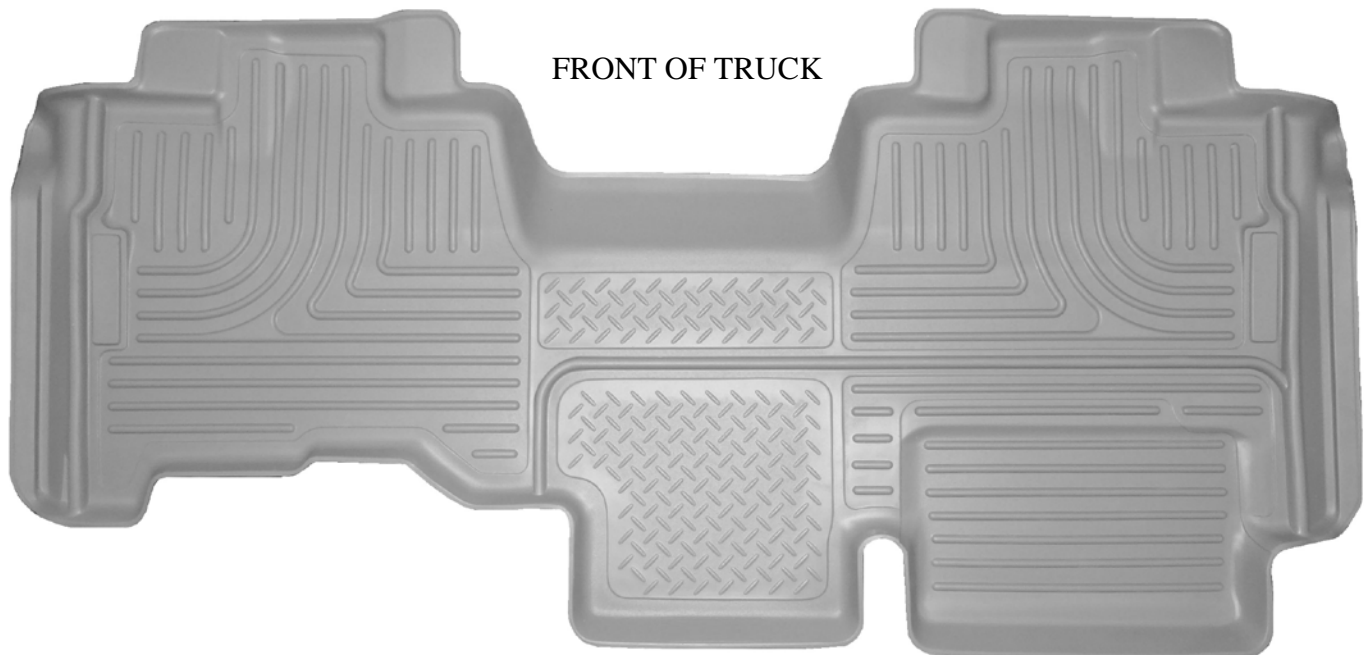
HUSKY **WeatherBEATER™** **Custom Vehicle Floor Protection**

CARE AND USE INSTRUCTIONS

Thank you for selecting a WeatherBeater® Floor Liner from Winfield Consumer Products. Your new rear floor liner is custom molded to fit your Ford F150 Super Cab truck. The liner is made to take the place of your factory floor mats. **For correct fit, it is necessary to remove the factory floor mats before installing your new floor liners.** However, do not remove the factory-installed carpeting.

Your liner is made from an engineering resin that is lightweight and extremely tough and durable. The easiest way to clean your liner is with a damp cloth or sponge. If using a cleaner, 409® or Glass Plus® work well. Use of Armor All®, Son-of-a-Gun® or similar items is discouraged as these products make the liner slick.

INSTALLATION INSTRUCTIONS FOR YOUR FORD F150 SUPER CAB TRUCK 2ND SEAT FLOOR LINER



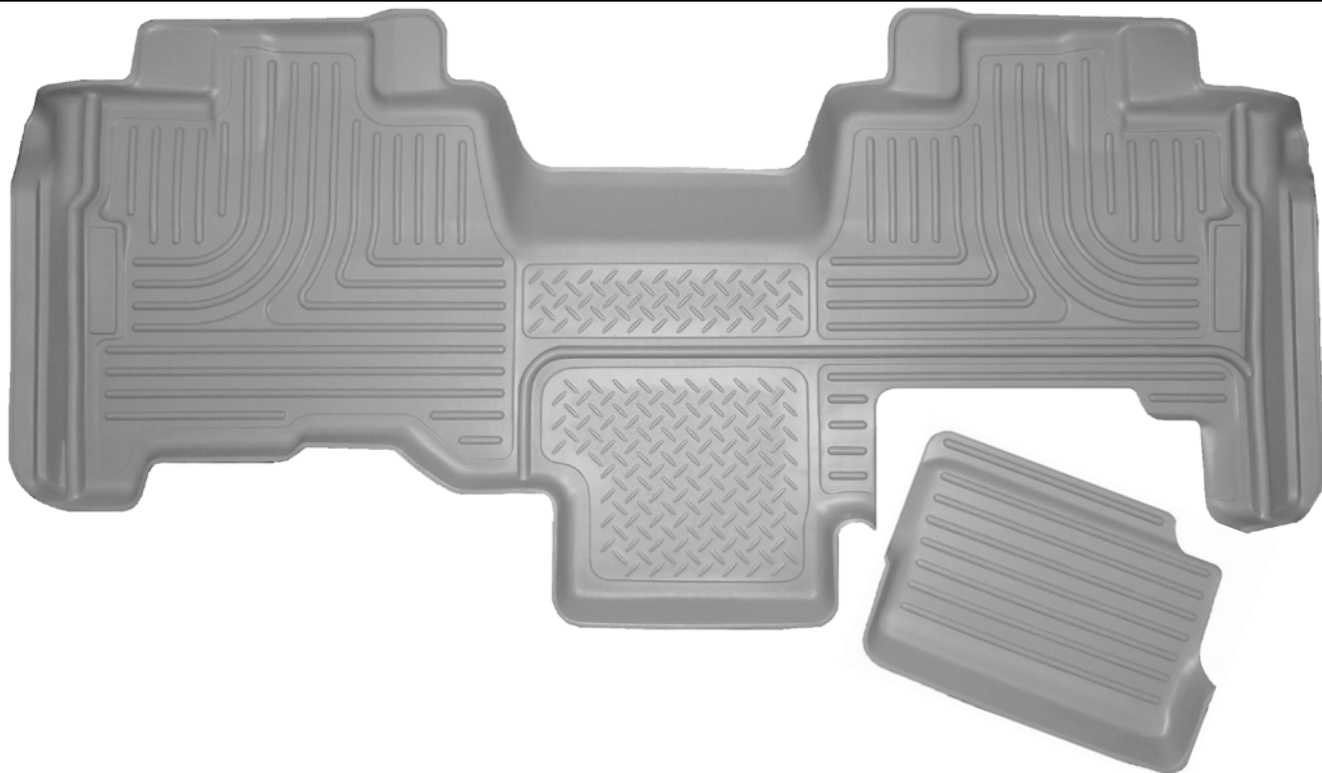
TO EASE INSTALLATION OF YOUR SUPER CAB 2ND SECOND SEAT LINER, MOVE THE FRONT ROW SEATS TO THEIR MOST FORWARD POSITIONS AND FLIP UP THE 2ND ROW SEAT BOTTOMS. WITH THIS DONE, INSTALL YOUR LINER AS SHOWN ABOVE. ONCE THE LINER IS INSTALLED, REPOSITION THE FRONT SEATS AS DESIRED.

TECH NOTE 1: IF YOUR TRUCK IS EQUIPPED WITH THE OPTIONAL SUBWOOFER LOCATED UNDER THE REAR PASSENGER SIDE SEAT, YOUR LINER WILL NEED TO BE TRIMMED TO ALLOW FITMENT WITH THIS FEATURE. PLEASE SEE THE TRIMMING INSTRUCTIONS ON THE BACK OF THIS PAGE.

TECH NOTE 2: IF YOU WILL BE INSTALLING HUSKY GEARBOX PART #09261 IN YOUR TRUCK, A TRIM IS NEEDED TO ALLOW THE GEARBOX TO FIT IN CONJUNCTION WITH YOUR LINER. PLEASE SEE THE TRIMMING INSTRUCTIONS OF THE BACK OF THIS PAGE.

TRIMMING INSTRUCTIONS FOR PART #1935 IN APPLICATIONS WITH THE OPTIONAL SONY STEREO SYSTEM WITH SUBWOOFER UNDER THE REAR PASSENGER SIDE SEAT

TO TRIM, USE THE LOWERED EDGE THAT DEFINES THE SUBWOOFER TRIM AS YOUR TRIMMING GUIDE AND REMOVE THE SECTION OF LINER CORRESPONDING TO THE SUBWOOFER (SEE IMAGE BELOW. A UTILITY KNIFE OR HEAVY SHEARS WORK WELL FOR TRIMMING THE LINER.



TRIMMING INSTRUCTIONS FOR PART #1935 FOR USE WITH HUSKY GEARBOX #09261

TO TRIM, USE THE INSIDE EDGE OF THE INNER EDGE OF THE RAISED RIB AS YOUR TRIMMING GUIDE. A UTILITY KNIFE OR HEAVY SHEARS WORK WELL FOR TRIMMING.

