

# HUSKY WeatherBEATER™ Custom Vehicle Floor Protection

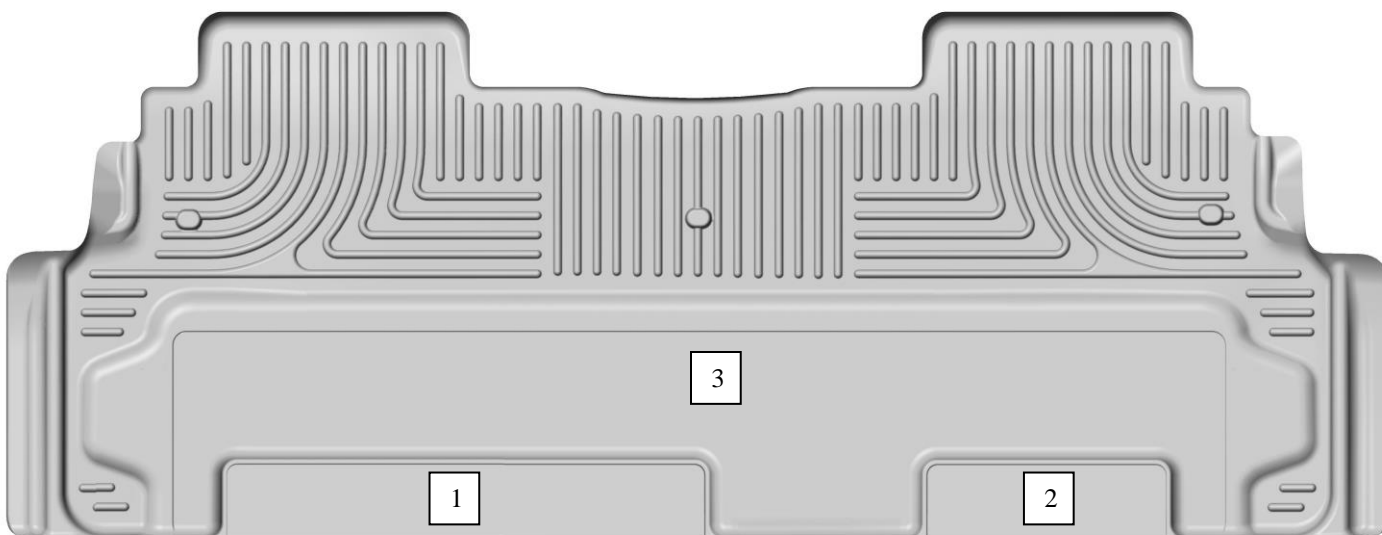
## CARE AND USE INSTRUCTIONS

Thank you for selecting a WeatherBeater™ [Floor Liner](#) from Winfield Consumer Products. Your new second seat liner is custom molded to fit your vehicle with 2<sup>nd</sup> row bench seating. The liner is made to take the place of your factory floor mats. **For correct fit, it is necessary to remove the factory floor mats before installing your new floor liner.** However, do not remove the factory-installed carpeting.

Your liner is made from an engineering resin that is lightweight and extremely tough and durable. The easiest way to clean your liner is with a damp cloth or sponge. If using a cleaner, 409® or Glass Plus® work well. Use of Armor All®, Son-of-a-Gun® or similar items is discouraged as these products make the liner slick.

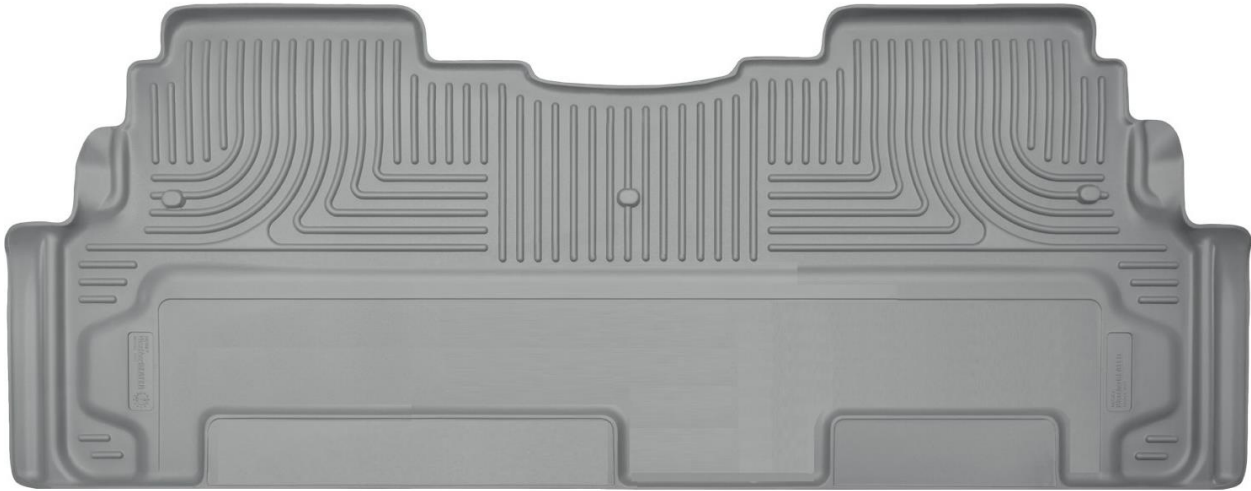
## INSTALLATION INSTRUCTIONS FOR YOUR BUICK ENCLAVE, CHEVROLET TRAVERSE, GMC ACADIA & SATURN OUTLOOK 2<sup>ND</sup> SEAT FLOOR LINER--VEHICLES WITH 2<sup>ND</sup> ROW BENCH SEATING

FRONT OF VEHICLE

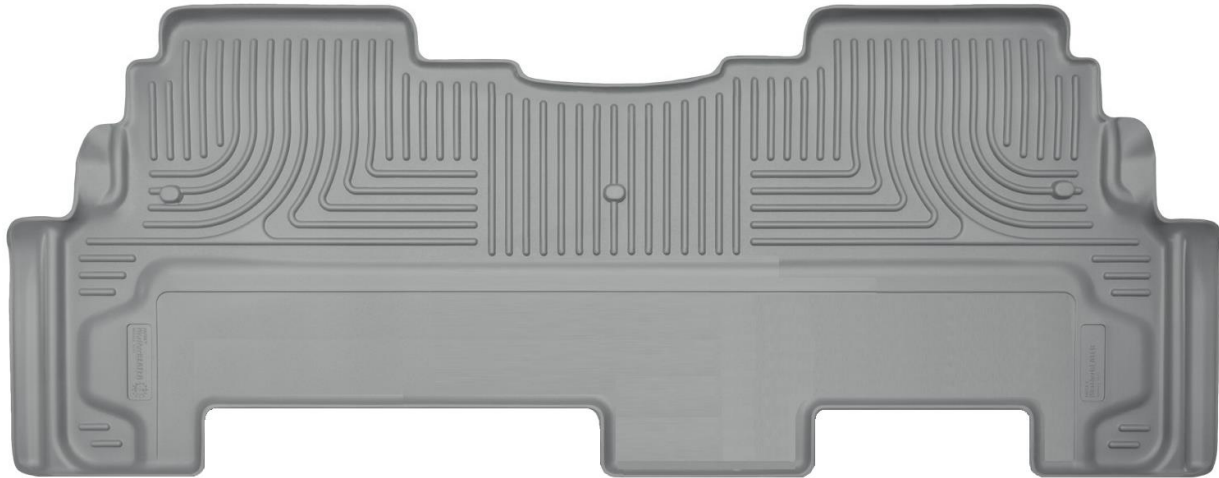


YOUR VEHICLE IS EQUIPPED WITH 2<sup>ND</sup> ROW BENCH SEATS THAT CAN BE ADJUSTED TO MULTIPLE CONFIGURATIONS. PART #1917 IS DESIGNED TO ACCOMMODATE THESE POSITIONS. WITH YOUR SECOND ROW SEATS POSITIONED FOR MAXIMUM 2<sup>ND</sup> ROW PASSENGER LEG ROOM, YOUR LINER WILL FIT AS BOXED. IF YOU WISH TO REPOSITION YOUR 2<sup>ND</sup> ROW SEATS FOR MAXIMUM 3<sup>RD</sup> SEAT PASSENGER LEG ROOM, TRIM AWAY THE MATERIAL FROM THE TWO RAISED AREAS LOCATED ALONG THE BACK WALL OF YOUR LINER (SEE AREAS LABELED "1" & "2" ABOVE). THIS WILL ALLOW THE 2<sup>ND</sup> ROW SEATS TO ADJUST FORWARD APPROXIMATELY 3". IF YOU WANT TO STOW THE 2<sup>ND</sup> ROW SEATS FOR MAXIMUM CARGO STORAGE, YOU WOULD NEED TO REMOVE THE LINER TEMPORARILY FROM THE VEHICLE OR TRIM AWAY THE ENTIRE AREA "3" SHOWN ABOVE. TO TRIM THIS AREA, USE THE STEP IN THE LINER AS YOUR TRIMMING GUIDE. A UTILITY KNIFE WORKS WELL FOR TRIMMING. DETAILED IMAGES OF THE TRIMMED LINER ARE SHOWN ON THE BACK OF THIS PAGE.

**LINER SHOWN UNTRIMMED**



**LINER SHOWN TRIMMED TO ACCOMMODATE REPOSITIONING OF 2<sup>ND</sup> ROW SEATS TO ALLOW MORE 3<sup>RD</sup> SEAT LEG ROOM**



**LINER SHOWN TRIMMED TO ALLOW SLIDING FORWARD/STORAGE OF 2<sup>ND</sup> ROW SEATS**

