

HUSKYLINERS®

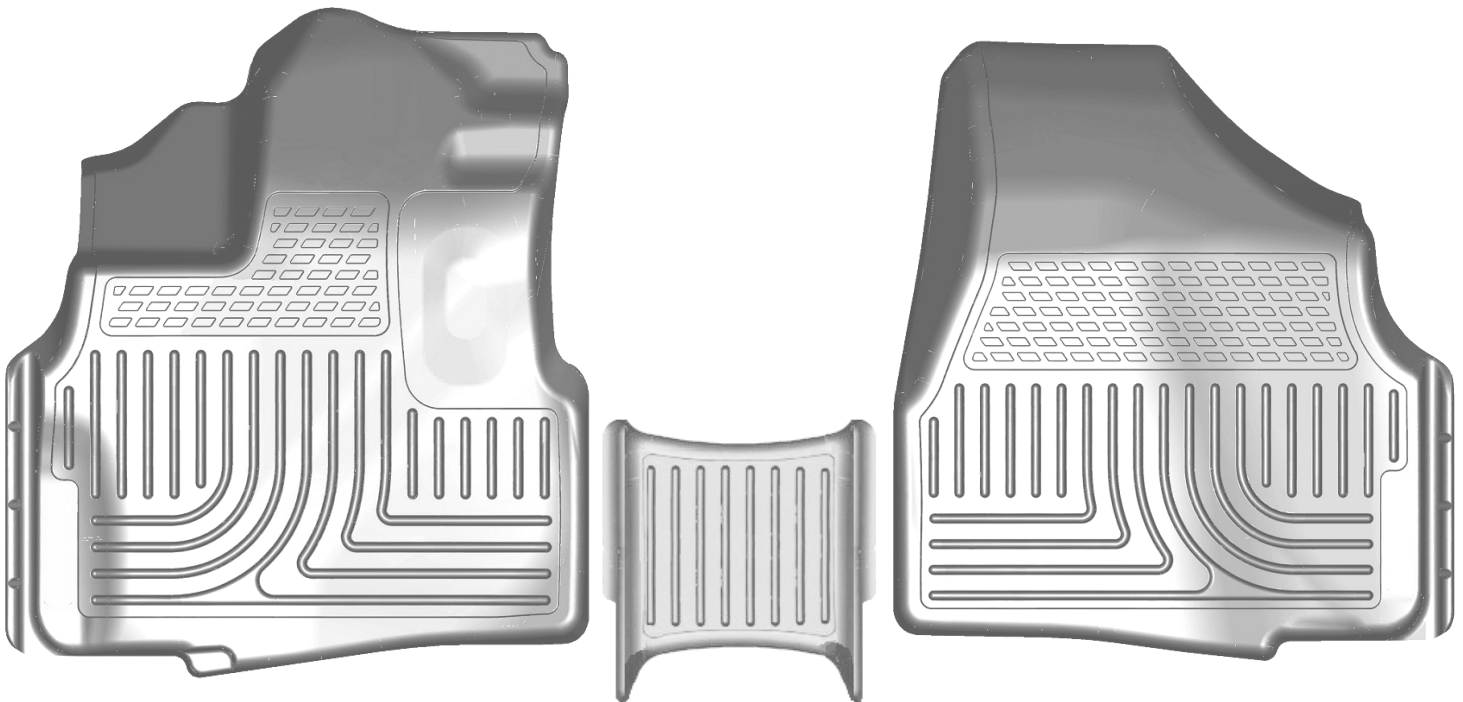
weatherBEATER

CARE AND USE INSTRUCTIONS

Thank you for selecting a WeatherBeater® [Floor Liner](#) from Winfield Consumer Products. Your new front floor liners are custom molded to fit your Honda Odyssey van. The liners are made to take the place of your factory floor mats. ***For correct fit, it is necessary to remove the factory floor mats before installing your new floor liners.*** However, do not remove the factory-installed carpeting.

Your liners are made from an engineering resin that is lightweight and extremely tough and durable. The easiest way to clean your liners is with a damp cloth or sponge. If using a cleaner, 409® or Glass Plus® work well. Use of Armor All®, Son-of-a-Gun® or similar items is discouraged as these products make the liners slick.

INSTALLATION INSTRUCTIONS FOR YOUR HONDA ODYSSEY FRONT FLOOR LINERS



LEFT OR DRIVER'S

RIGHT OR PASSENGER'S SIDE

TO EASE INSTALLATION OF YOUR FLOOR LINERS, POSITION BOTH FRONT SEATS TO THEIR MOST REARWARD POSITION (SO AS TO GIVE THE MOST LEG ROOM). ONCE LINERS ARE INSTALLED, REPOSITION SEATS AS DESIRED. NOTE THAT INCLUDED WITH THE FRONT LINERS IS A SEPARATE LINER THAT PROVIDES COVERAGE FOR THE CENTER SECTION OF THE FRONT FLOOR PAN. THIS "MIDDLE LINER" IS INSTALLED SO IT OVERLAPS THE FRONT DRIVER AND PASSENGER SIDE LINERS AS SHOWN ON THE PHOTO ON THE BACK OF THIS PAGE.