

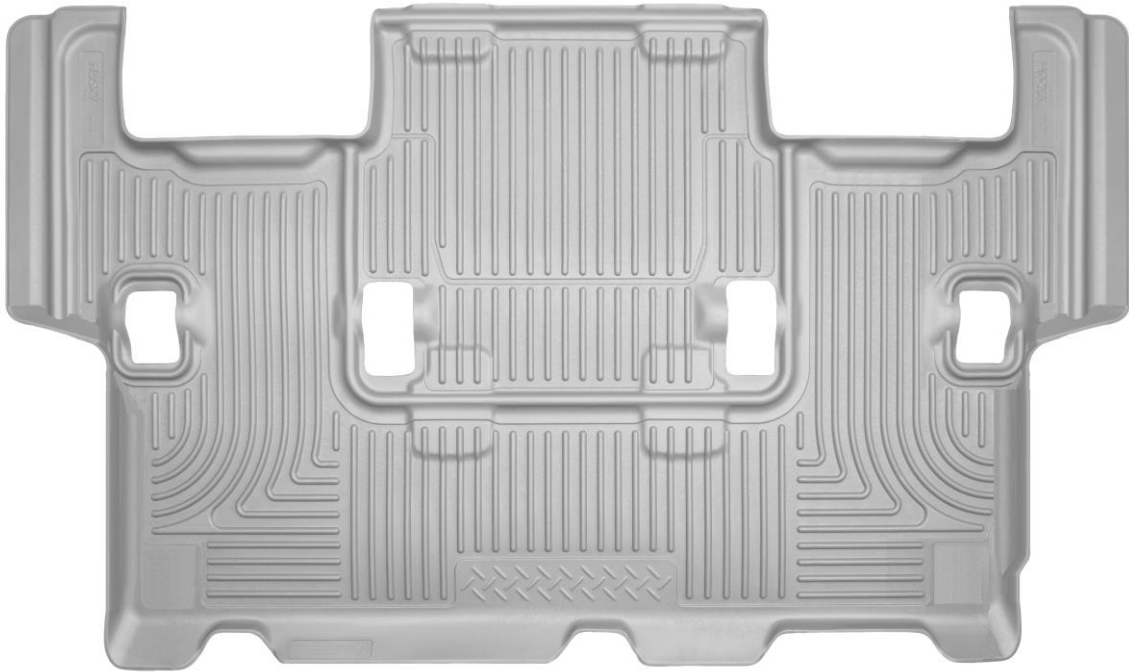
HUSKY **Weather**BEATER™ **Custom Vehicle Floor Protection**

CARE AND USE INSTRUCTIONS

Thank you for selecting a WeatherBeater™ [Floor Liner](#) from Winfield Consumer Products. Your new second seat liner is custom molded to fit your Ford Expedition & Lincoln Navigator. The liner is made to take the place of your factory floor mats. **For correct fit, it is necessary to remove the factory floor mats before installing your new floor liners.** However, do not remove the factory-installed carpeting.

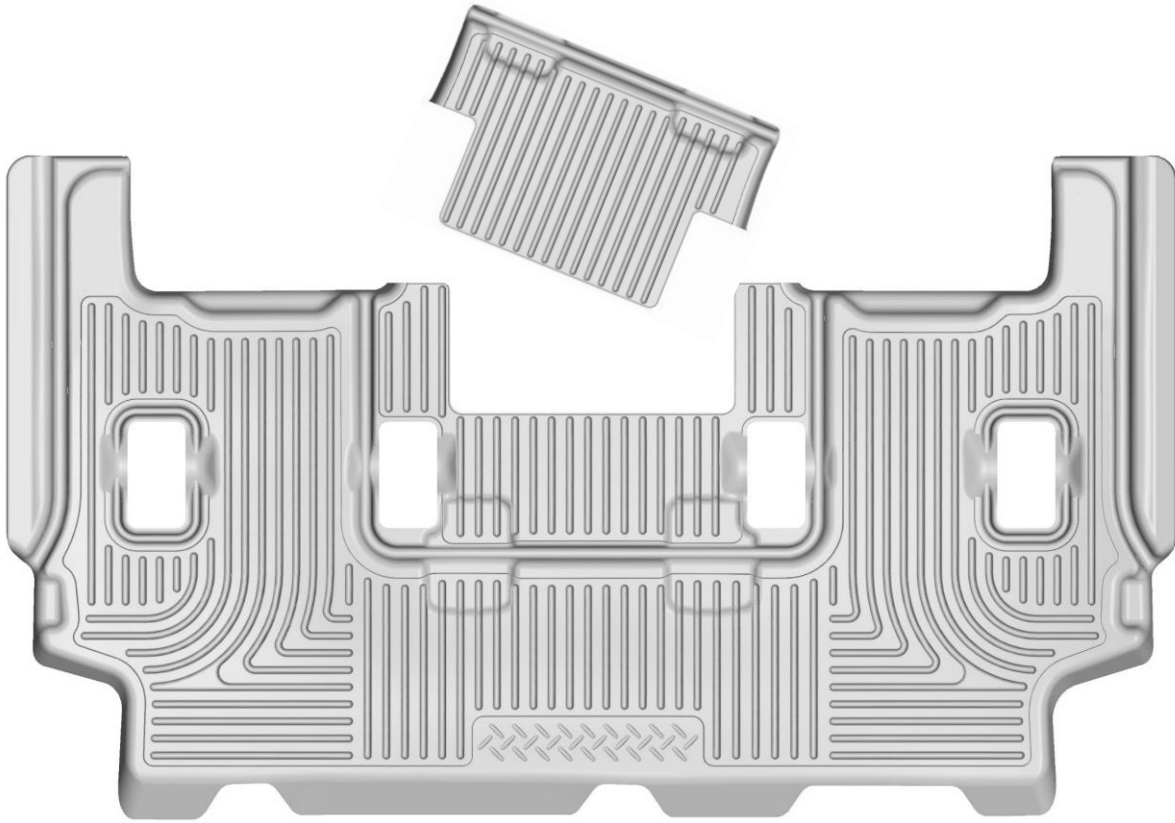
Your liner is made from an engineering resin that is lightweight and extremely tough and durable. The easiest way to clean your liner is with a damp cloth or sponge. If using a cleaner, 409® or Glass Plus® work well. Use of Armor All®, Son-of-a-Gun® or similar items is discouraged as these products make the liner slick.

INSTALLATION INSTRUCTIONS FOR YOUR FORD EXPEDITION & LINCOLN NAVIGATOR 2ND SEAT LINER



TO EASE INSTALLATION OF YOUR SECOND SEAT LINER, MOVE BOTH FRONT SEATS TO THEIR MOST FORWARD POSITION. THEN, FLIP UP / FOLD FORWARD THE 2ND ROW SEATS TO EXPOSE THE CARPETING UNDER THE SEATS. ONCE LINER IS INSTALLED, FOLD THE 2ND ROW SEATS DOWN WITH THE LEGS PASSING THROUGH THE TRIMMED HOLES IN LINER. TAKE CARE THAT THEY ARE LATCHED SECURELY. LASTLY, REPOSITION THE FRONT SEATS AS DESIRED.

AS BOXED, YOUR LINER WILL FIT VEHICLES WITH 2ND ROW BUCKET SEATS WITHOUT A CONSOLE. IF YOU HAVE A DIFFERENT CONFIGURATION, PLEASE SEE BACK THE BACK OF THIS PAGE FOR TRIM INSTRUCTIONS.



FOR MODELS WITH 2ND ROW BUCKET SEATING THAT INCLUDE A CONSOLE BETWEEN THE 2ND ROW SEATS, USE THE MOLDED IN TRIM STEP TO TRIM AS SHOWN ABOVE.

FOR MODELS WITH 2ND ROW BENCH SEATING, FOLLOW THE TRIM STEP ALL THE WAY ALONG THE RAISED RIB AS SHOWN BELOW. A UTILITY KNIFE OR SHEARS WORK WELL FOR TRIMMING.

