

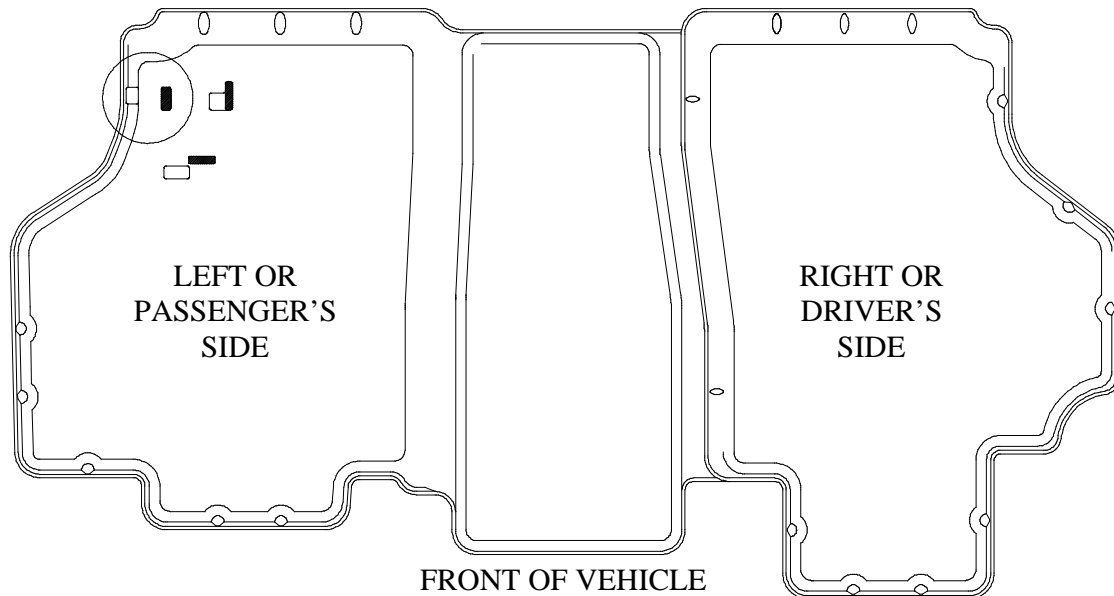
THANK YOU FOR SELECTING A HUSKY FLOOR LINER FROM WINFIELD CONSUMER PRODUCTS

CARE AND USE INSTRUCTIONS

Your new floor liners are custom molded to fit your particular vehicle. The liners are made to take the place of your factory floor mats. For correct fit, it is necessary to remove the factory floor mats before installing your new floor liners. *However, do not remove the factory-installed carpeting.*

Your liners are made from an engineering resin that is lightweight and extremely tough and durable. The easiest way to clean your liners is with a damp cloth or sponge. If using a cleaner, 409® or Glass Plus® work well. Use of Armor All®, Son-of-a-Gun® or similar items is discouraged as these products make the liners slick.

INSTALLATION INSTRUCTIONS FOR YOUR DODGE RAM CLUB CAB TRUCK SECOND SEAT FLOOR LINER



NOTE: DRIVER'S SIDE LINER
OVERLAPS PASSENGER SIDE

JACK PLACEMENT VARIES SLIGHTLY WITH THE PRODUCTION DATE OF THE VEHICLE. TO INSTALL LINER, FIRST FOLD UP THE REAR SEAT AND REMOVE THE JACK. THEN, TO DETERMINE WHICH SET OF RAISED JACK LOCATION BANDS TO SLIT, TAKE NOTICE OF THE LEFT UPPERMOST JACK HOLD DOWN MOUNT (SHOWN ABOVE CIRCLED). IF THE MOUNT IS APPROXIMATELY (2) INCHES IN FROM THE EDGE OF THE CARPET, MAKE A SLIT IN THE (3) RAISED AREAS THAT APPEAR SHADED ON THE INSTRUCTION GUIDE. OTHERWISE, SLIT THE (3) UNSHADED RAISED AREAS SHOWN ON THE INSTRUCTION GUIDE. YOU CAN ALSO NOTE WHICH LOCATION TO SLIT BY TEMPORARILY POSITIONING THE LINER IN YOUR VEHICLE.