

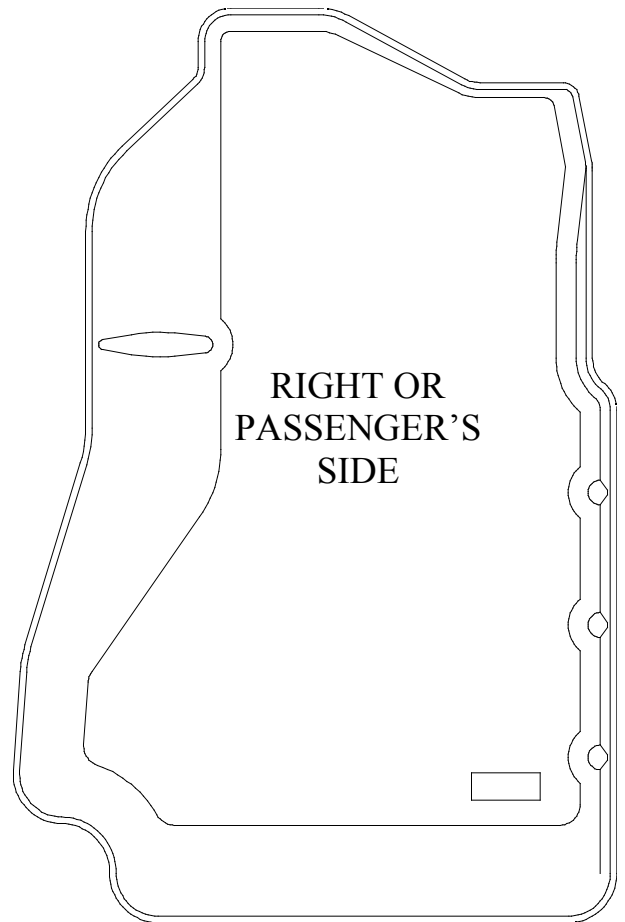
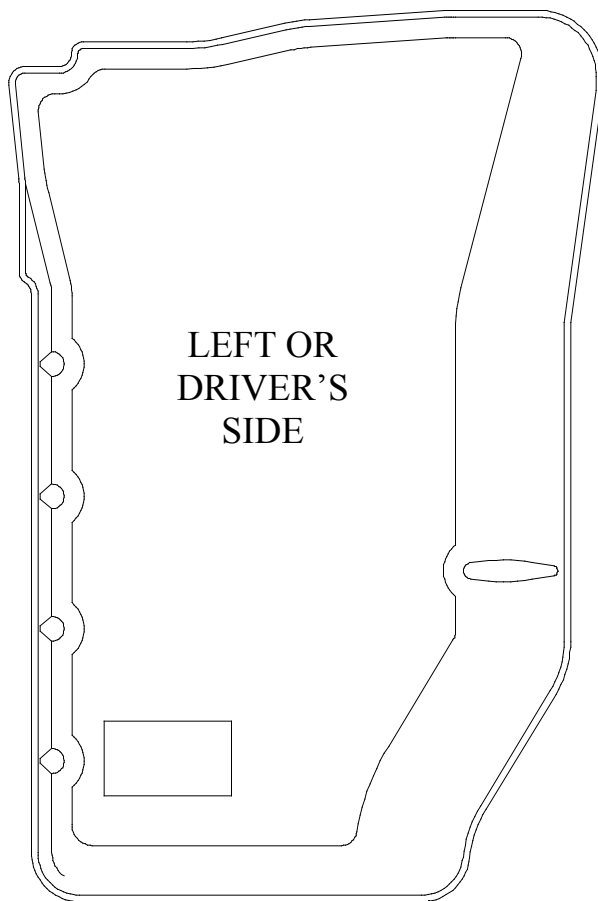
THANK YOU FOR SELECTING A HUSKY FLOOR LINER FROM WINFIELD CONSUMER PRODUCTS

CARE AND USE INSTRUCTIONS

Your new floor liners are custom molded to fit your particular vehicle. The liners are made to take the place of your factory floor mats. For correct fit, it is necessary to remove the factory floor mat before installing your new floor liners. *However, do not remove the factory-installed carpeting.*

Your liners are made from an engineering resin that is lightweight and extremely tough and durable. The easiest way to clean your liners is with a damp cloth or sponge. If using a cleaner, 409® or Glass Plus® work well. Use of Armor All®, Son-of-a-Gun® or similar items is discouraged as these products make the liners slick.

INSTALLATION INSTRUCTIONS FOR YOUR S-10/BLAZER/ BRAVADA/ENVOY/HOMBRE/JIMMY/SONOMA FLOOR LINERS



SEE BACK OF THIS SHEET FOR ADDITIONAL INSTRUCTIONS.

Your Husky Floor Liners come molded with Sta-Put Nibs® on the back surface of the liners to help hold them in place. Additionally, we have included an optional Velcro® anchoring system to further secure your driver's side liner. To install the optional Velcro® anchoring system, just follow the easy steps listed below.

First, Locate the hardware bag included in the shipping container. Inside it you will find 2 anchor screws with the “loop” pad portion of the Velcro® fasteners already applied. Also included are two Velcro® hook pads that will need to be applied to your liner.

Before positioning the Velcro® hook pads on your liner, it will be necessary to remove any nibs that would keep the pads from laying flat. A pair of clippers work well for removing nibs. Photos 1 and 2 below show where a nib has been removed and Velcro® hook pad has been installed. Install the hook pads towards the back edge of the liner (nearest the seat) opposite of each other. Choose a flat area underneath which the carpet screw can be installed (make sure the anchor screw will actually screw into the area chosen). Pre-fitting the liner may help determine “good” locations.

Finally, install the liner in your vehicle making sure it is properly aligned. The anchor screws will need to be installed in your factory carpet directly beneath the Velcro® hook patches you applied. To do this, pull up a corner of your liner as shown in photo 3 below. Attach the anchor screw (the Velcro will hold the screw to the liner) to the pad then lower the raised edge and note the position where the anchor screw touches the vehicle carpet. Insert the anchor screw and repeat procedure for the other pad location.

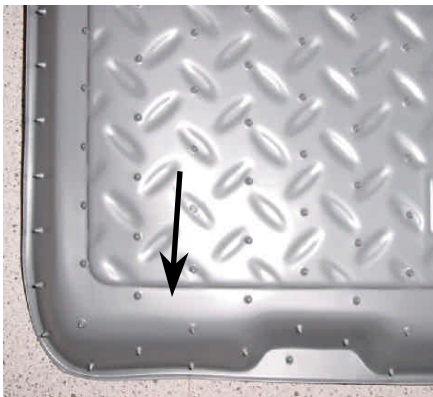


PHOTO 1. ARROW POINTING TO NIB THAT HAS BEEN REMOVED TO ALLOW HOOK PAD TO LAY



PHOTO 2. VELCRO® HOOK PAD SHOWN ATTACHED TO LINER.



PHOTO 3. ANCHOR SCREW SHOWN INSTALLED IN CARPET ALIGNED BELOW HOOK PAD.