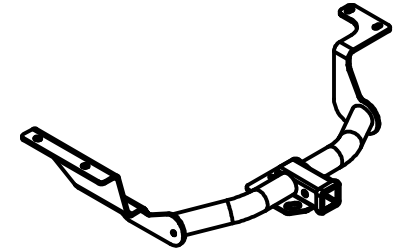




# Class III Receiver Hitch Part No. 69555C



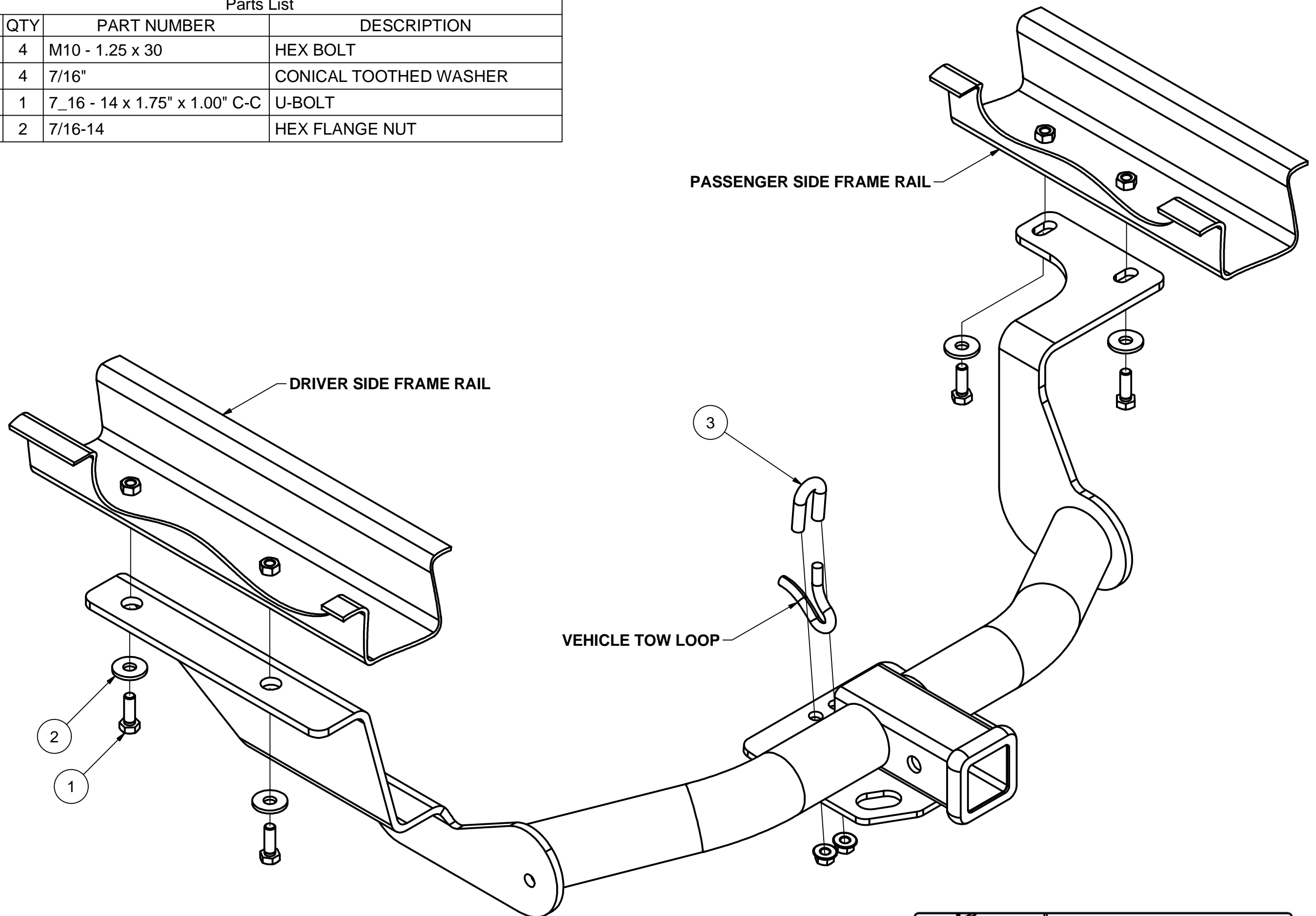
Fits: **HONDA CR-V**



GROSS LOAD CAPACITY WHEN USED AS A WEIGHT CARRYING HITCH: 3,500 LBS. TRAILER WEIGHT & 350 LBS. TONGUE WEIGHT.  
WARNING: \*\*\* DO NOT EXCEED VEHICLE MANUFACTURER'S RECOMMENDED TOWING CAPACITY. \*\*\*



Parts List			
ITEM	QTY	PART NUMBER	DESCRIPTION
1	4	M10 - 1.25 x 30	HEX BOLT
2	4	7/16"	CONICAL TOOTHED WASHER
3	1	7_16 - 14 x 1.75" x 1.00" C-C	U-BOLT
4	2	7/16-14	HEX FLANGE NUT



HITCH WEIGHT: 42 LBS.

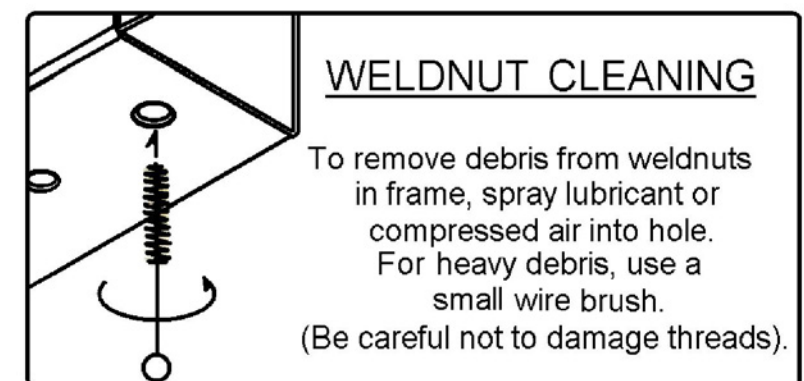
#### INSTALL TIME

PROFESSIONAL: 45 MINUTES

NOVICE (DIY): 90 MINUTES

#### INSTALL NOTES:

- NO DRILLING REQUIRED
- LOWER EXHAUST



## INSTALLATION STEPS

- 1) Lower exhaust, (2) hangers above muffler.
- 2) Place ubolt into position through tow loop. Raise hitch into position, and install flange nuts onto u-bolt.
- 3) Install remaining fasteners as shown above.
- 4) Torque all 10mm fasteners to 49 lb-ft, and all 7/16" fasteners to 70 lb-ft.
- 5) Re-install exhaust hangers.

PERIODICALLY CHECK THIS RECEIVER HITCH TO ENSURE THAT ALL FASTENERS ARE TIGHT AND THAT ALL STRUCTURAL COMPONENTS ARE SOUND.

Keystone Automotive Operations Inc., warrants this product to be free of defects in material and/or workmanship at the time of retail purchase by the original purchaser. If the product is found to be defective, Keystone Automotive Operations Inc., may repair or replace the product, at their option, when the product is returned, prepaid, with proof of purchase. Alteration to, misuse of, or improper installation of this product voids the warranty. Keystone Automotive Operations Inc.'s liability is limited to repair or replacement of products found to be defective, and specifically excludes liability for incidental or consequential loss or damage. This product complies with safety specifications and requirements for connecting devices and towing systems of the state of New York, V.E.S.C.