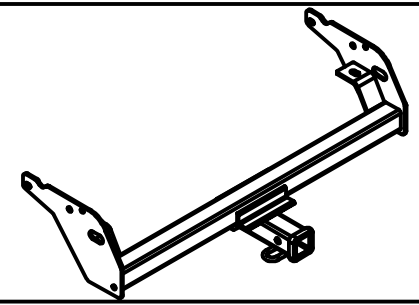




Class III Receiver Hitch Part No. 69553C



Fits: 95-04 TOYOTA TACOMA (ALL)



**GROSS LOAD CAPACITY WHEN USED AS A WEIGHT CARRYING HITCH: 5,000 LBS. TRAILER WEIGHT & 500 LBS. TONGUE WEIGHT.
GROSS LOAD CAPACITY WHEN USED AS A WEIGHT DISTRIBUTION HITCH: 6,000 LBS. TRAILER WEIGHT & 600 LBS. TONGUE WEIGHT**



WARNING: * DO NOT EXCEED VEHICLE MANUFACTURER'S RECOMMENDED TOWING CAPACITY. *****

Parts List			
ITEM	QTY	PART NUMBER	DESCRIPTION
1	2	1/2-13 x 1 1/2	CARRIAGE BOLT
2	2	HFN 1213	HEX FLANGE NUT
3	2	CM-SP1	.250 x 1.50 x 2.00" SQUARE HOLE SPACER
18	1	PD95119	CARBIDE BLACK POWDER COAT (NOT SHOWN)

PASSENGER SIDE
FRAME RAIL

EXISTING
WELDNUTS

DRIVER SIDE
FRAME RAIL

BUMPER BRACKET

FACTORY
HARDWARE

FRONT
↑
REAR

HITCH WEIGHT: 41 LBS.

INSTALL TIME

PROFESSIONAL: 20 MINUTES

NOVICE (DIY): 40 MINUTES

INSTALL NOTES:

- NO DRILLING REQUIRED
- MUST REMOVE BUMPER

INSTALLATION STEPS

- 1) Disconnect the license plate wiring connectors from the bumper.
- 2) Remove the two bolts mounting the bumper to the bumper brackets on each side. Remove the bumper from the vehicle.
- 3) Remove bumper brackets from the frame rails and the two bolts on each side.
- 4) Position the receiver against the frame and install the 1/2" bolts.
- 5) Re-install the bumper brackets and make sure the tabs go through the slots on the side bracket.
- 6) Re-install the bumper and license plate wires using the factory hardware.
- 7) Torque M12 fasteners to 86 lb-ft.
1/2" fasteners to 110 lb-ft.

**PERIODICALLY CHECK THIS RECEIVER HITCH TO ENSURE THAT ALL FASTENERS
ARE TIGHT AND THAT ALL STRUCTURAL COMPONENTS ARE SOUND.**

Keystone Automotive Operations Inc., warrants this product to be free of defects in material and/or workmanship at the time of retail purchase by the original purchaser. If the product is found to be defective, Keystone Automotive Operations Inc., may repair or replace the product, at their option, when the product is returned, prepaid, with proof of purchase. Alteration to, misuse of, or improper installation of this product voids the warranty. Keystone Automotive Operations Inc.'s liability is limited to repair or replacement of products found to be defective, and specifically excludes liability for incidental or consequential loss or damage. This product complies with safety specifications and requirements for connecting devices and towing systems of the state of New York, V.E.S.C.

11202017