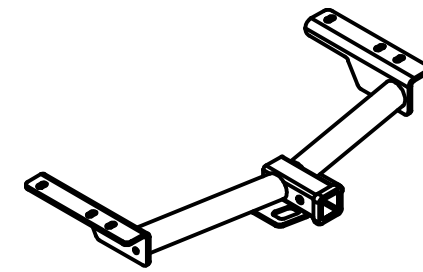




Class III Receiver Hitch Part No. 69543C



Fits: FORD TRANSIT

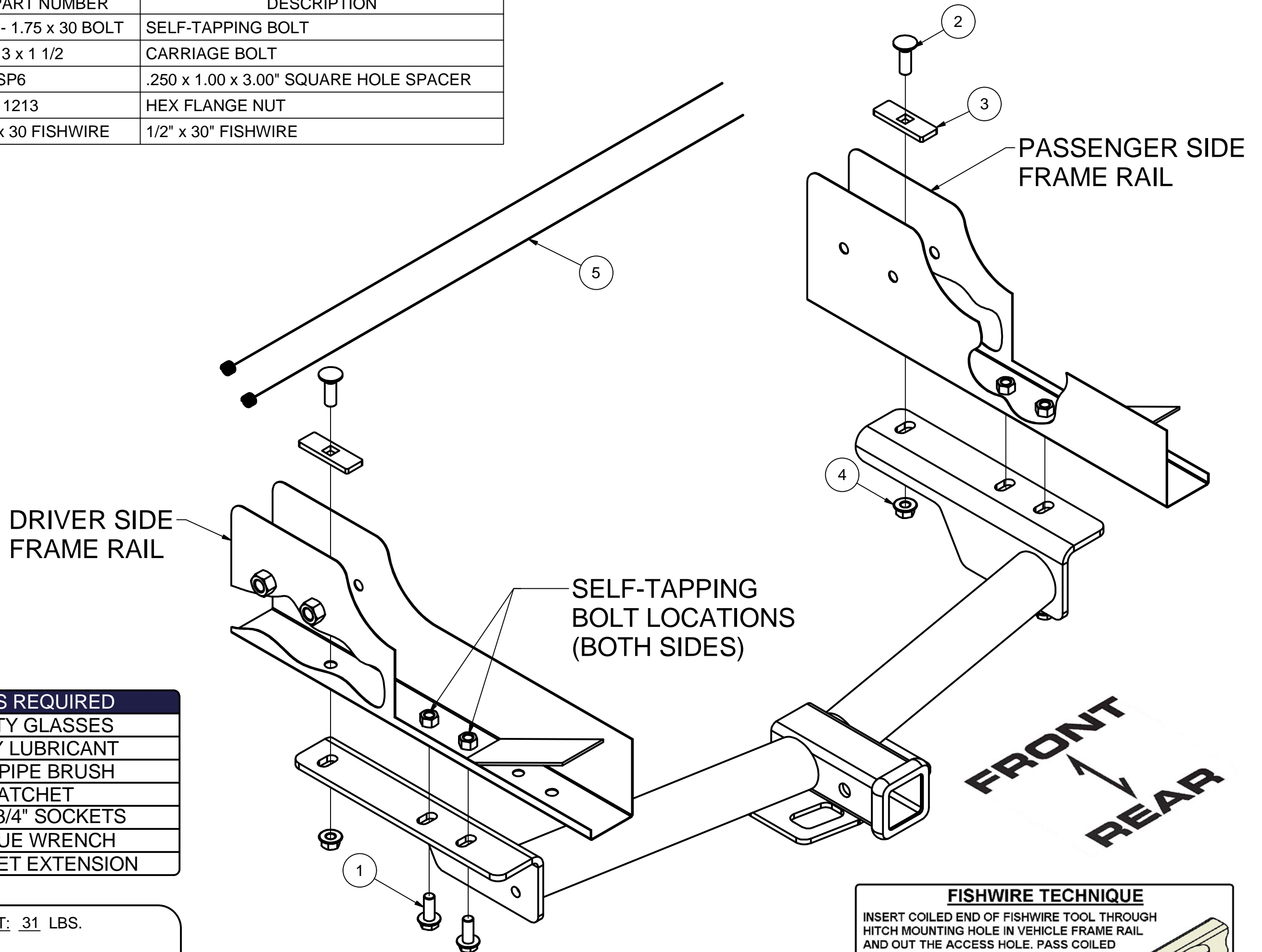


**GROSS LOAD CAPACITY WHEN USED AS A WEIGHT CARRYING HITCH: 6,000 LBS. TRAILER WEIGHT & 900 LBS. TONGUE WEIGHT.
GROSS LOAD CAPACITY WHEN USED AS A WEIGHT DISTRIBUTION HITCH: 8,000 LBS. TRAILER WEIGHT & 900 LBS. TONGUE WEIGHT**



WARNING: * DO NOT EXCEED VEHICLE MANUFACTURER'S RECOMMENDED TOWING CAPACITY. *****

Parts List				
ITEM	QTY	PART NUMBER	DESCRIPTION	
1	4	M12 - 1.75 x 30 BOLT	SELF-TAPPING BOLT	
2	2	1/2-13 x 1 1/2	CARRIAGE BOLT	
3	2	CM-SP6	.250 x 1.00 x 3.00" SQUARE HOLE SPACER	
4	2	HFN 1213	HEX FLANGE NUT	
5	2	1_2 x 30 FISHWIRE	1/2" x 30" FISHWIRE	



TOOLS REQUIRED
SAFETY GLASSES
SPRAY LUBRICANT
WIRE PIPE BRUSH
RATCHET
19mm, 3/4" SOCKETS
TORQUE WRENCH
3" SOCKET EXTENSION

HITCH WEIGHT: 31 LBS.

INSTALL TIME

PROFESSIONAL: 15 MINUTES

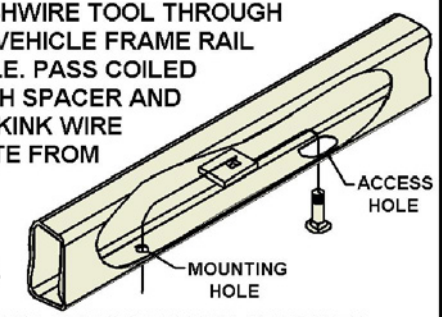
NOVICE (DIY): 30 MINUTES

INSTALL NOTES:

- FISHWIRE REQUIRED
- NO DRILLING REQUIRED

FISHWIRE TECHNIQUE

INSERT COILED END OF FISHWIRE TOOL THROUGH HITCH MOUNTING HOLE IN VEHICLE FRAME RAIL AND OUT THE ACCESS HOLE. PASS COILED END OF FISHWIRE THROUGH SPACER AND THREAD BOLT INTO COIL. KINK WIRE TO KEEP SPACER SEPERATE FROM BOLT AS SHOWN. PULL FISHWIRE, SPACER, AND BOLT THROUGH FRAME AND OUT MOUNTING HOLE. USE FISHWIRE TO GUIDE HITCH DURING MOUNTING AND PREVENT LOSS OF BOLT / SPACER INSIDE FRAME RAIL.



NOTE: SOME VEHICLES MAY FISHWIRE THROUGH END OF FRAME

INSTALLATION STEPS

1. Clean frame bolt locations as needed with lubricant and brush. Thread self-tapping bolts into locations as shown (4 places). Thread the bolt half-way or more while keeping the bolt perpendicular to the frame rail, remove the bolts to be installed later.
2. Fishwire (1) 1/2" bolt and spacer into each frame rail.
3. Raise hitch into location, careful not to push bolts back into frame and secure with the provided M12 bolts along with the 1/2" hex nuts.

Torque M12 bolts to 90 ft-lbs, Torque 1/2" hex nuts to 110 ft-lbs

PERIODICALLY CHECK THIS RECEIVER HITCH TO ENSURE THAT ALL FASTENERS ARE TIGHT AND THAT ALL STRUCTURAL COMPONENTS ARE SOUND.

Keystone Automotive Operations Inc., warrants this product to be free of defects in material and/or workmanship at the time of retail purchase by the original purchaser. If the product is found to be defective, Keystone Automotive Operations Inc., may repair or replace the product, at their option, when the product is returned, prepaid, with proof of purchase. Alteration to, misuse of, or improper installation of this product voids the warranty. Keystone Automotive Operations Inc.'s liability is limited to repair or replacement of products found to be defective, and specifically excludes liability for incidental or consequential loss or damage. This product complies with safety specifications and requirements for connecting devices and towing systems of the state of New York, V.E.S.C.

11202017