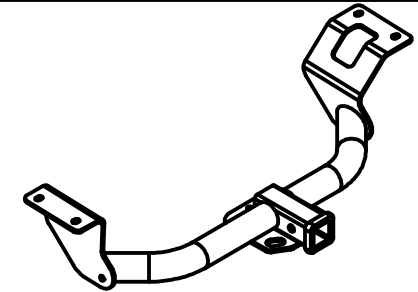




# Class III Receiver Hitch Part No. 69510C



**Fits: HONDA CR-V**

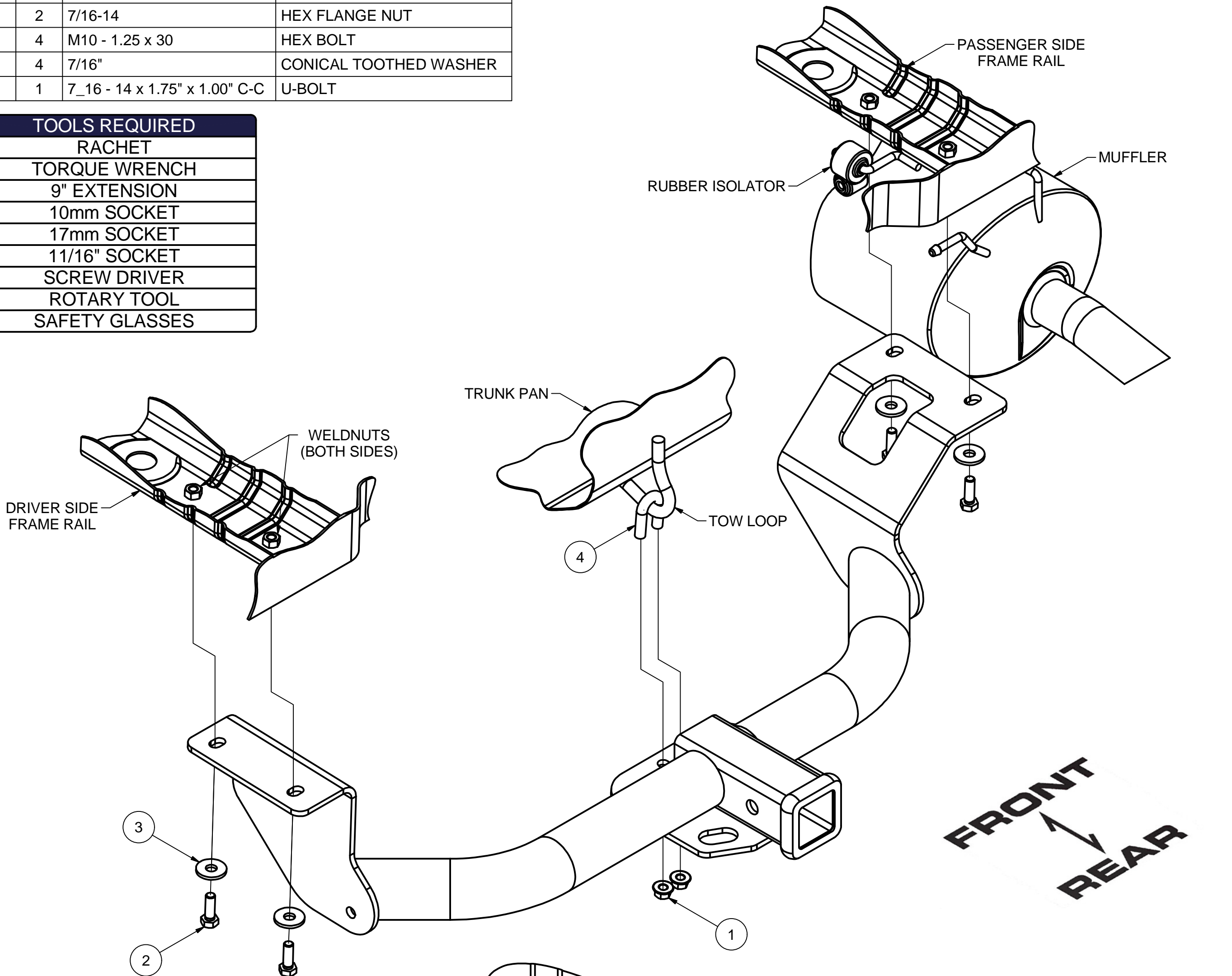


**GROSS LOAD CAPACITY WHEN USED AS A WEIGHT CARRYING HITCH: 3,500 LBS. TRAILER WEIGHT & 350 LBS. TONGUE WEIGHT.**  
**WARNING: \*\*\* DO NOT EXCEED VEHICLE MANUFACTURER'S RECOMMENDED TOWING CAPACITY. \*\*\***

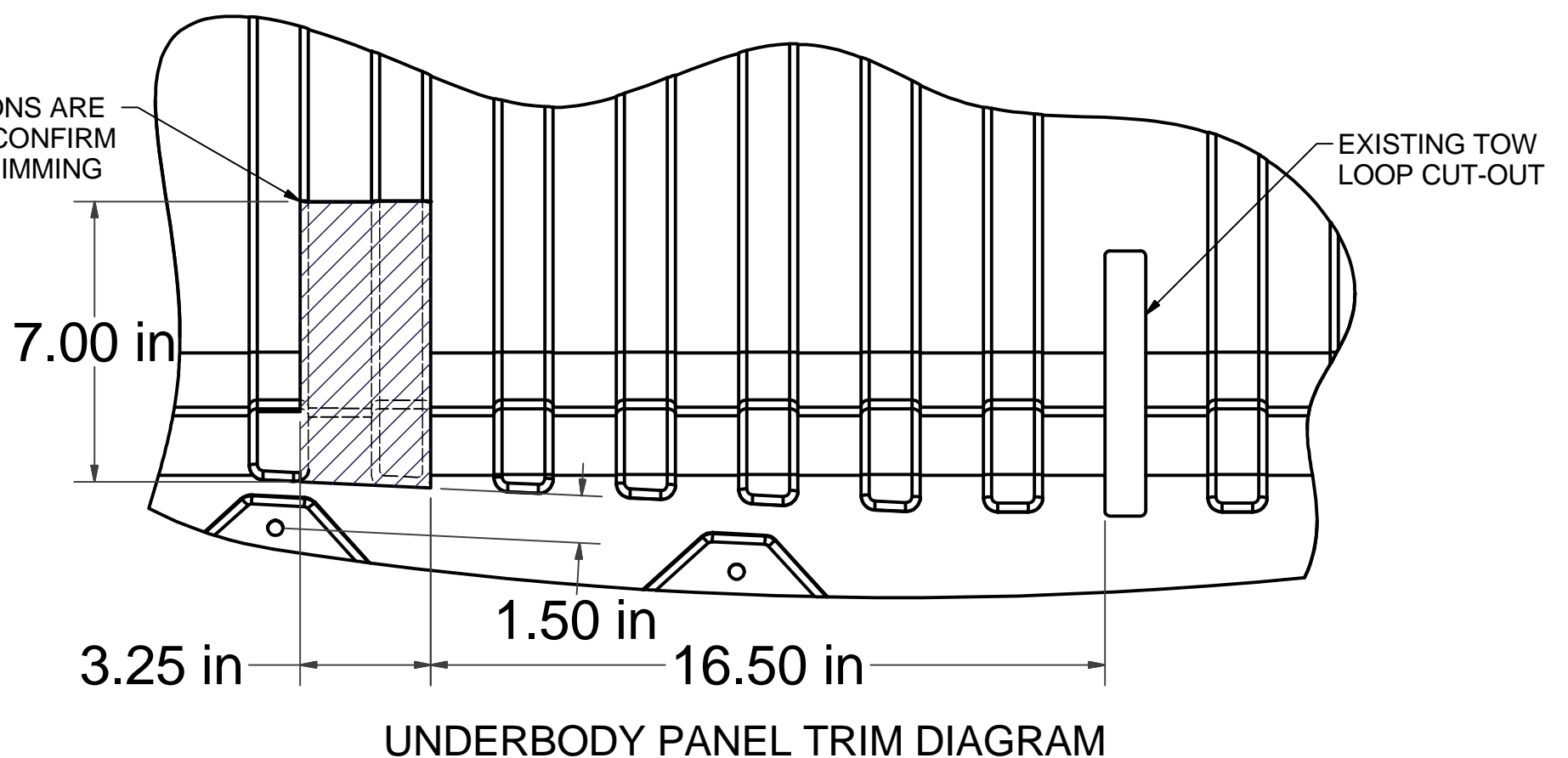


Parts List			
ITEM	QTY	PART NUMBER	DESCRIPTION
1	2	7/16-14	HEX FLANGE NUT
2	4	M10 - 1.25 x 30	HEX BOLT
3	4	7/16"	CONICAL TOOTHED WASHER
4	1	7_16 - 14 x 1.75" x 1.00" C-C	U-BOLT

TOOLS REQUIRED
RATCHET
TORQUE WRENCH
9" EXTENSION
10mm SOCKET
17mm SOCKET
11/16" SOCKET
SCREW DRIVER
ROTARY TOOL
SAFETY GLASSES



**NOTE:** DIMENSIONS ARE APPROXIMATE, CONFIRM FIT PRIOR TO TRIMMING



**HITCH WEIGHT:** 30 LBS.

**INSTALL TIME**

PROFESSIONAL: 60 MINUTES

NOVICE (DIY): 60 MINUTES

**INSTALL NOTES:**

- NO DRILLING REQUIRED
- UNDERBODY PANEL TRIMMING REQUIRED
- LOWER EXHAUST

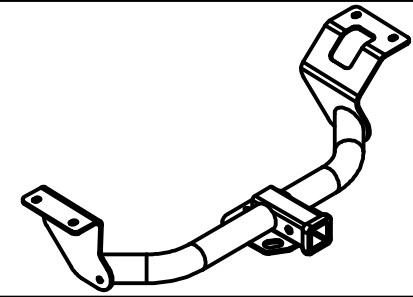
**PERIODICALLY CHECK THIS RECEIVER HITCH TO ENSURE THAT ALL FASTENERS ARE TIGHT AND THAT ALL STRUCTURAL COMPONENTS ARE SOUND.**

Keystone Automotive Operations Inc., warrants this product to be free of defects in material and/or workmanship at the time of retail purchase by the original purchaser. If the product is found to be defective, Keystone Automotive Operations Inc., may repair or replace the product, at their option, when the product is returned, prepaid, with proof of purchase. Alteration to, misuse of, or improper installation of this product voids the warranty. Keystone Automotive Operations Inc.'s liability is limited to repair or replacement of products found to be defective, and specifically excludes liability for incidental or consequential loss or damage. This product complies with safety specifications and requirements for connecting devices and towing systems of the state of New York, V.E.S.C.

11202017



# Class III Receiver Hitch Part No. 69510C



Fits: **HONDA CR-V**



GROSS LOAD CAPACITY WHEN USED AS A WEIGHT CARRYING HITCH: 3,500 LBS. TRAILER WEIGHT & 350 LBS. TONGUE WEIGHT.  
WARNING: \*\*\* DO NOT EXCEED VEHICLE MANUFACTURER'S RECOMMENDED TOWING CAPACITY. \*\*\*

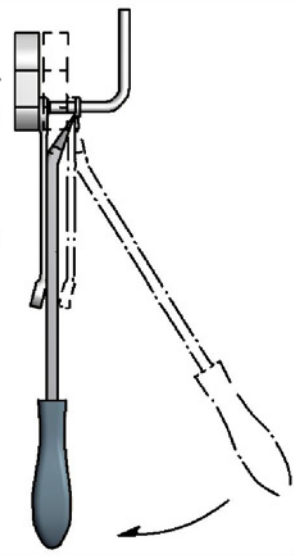


### RUBBER ISOLATOR REMOVAL DIAGRAM

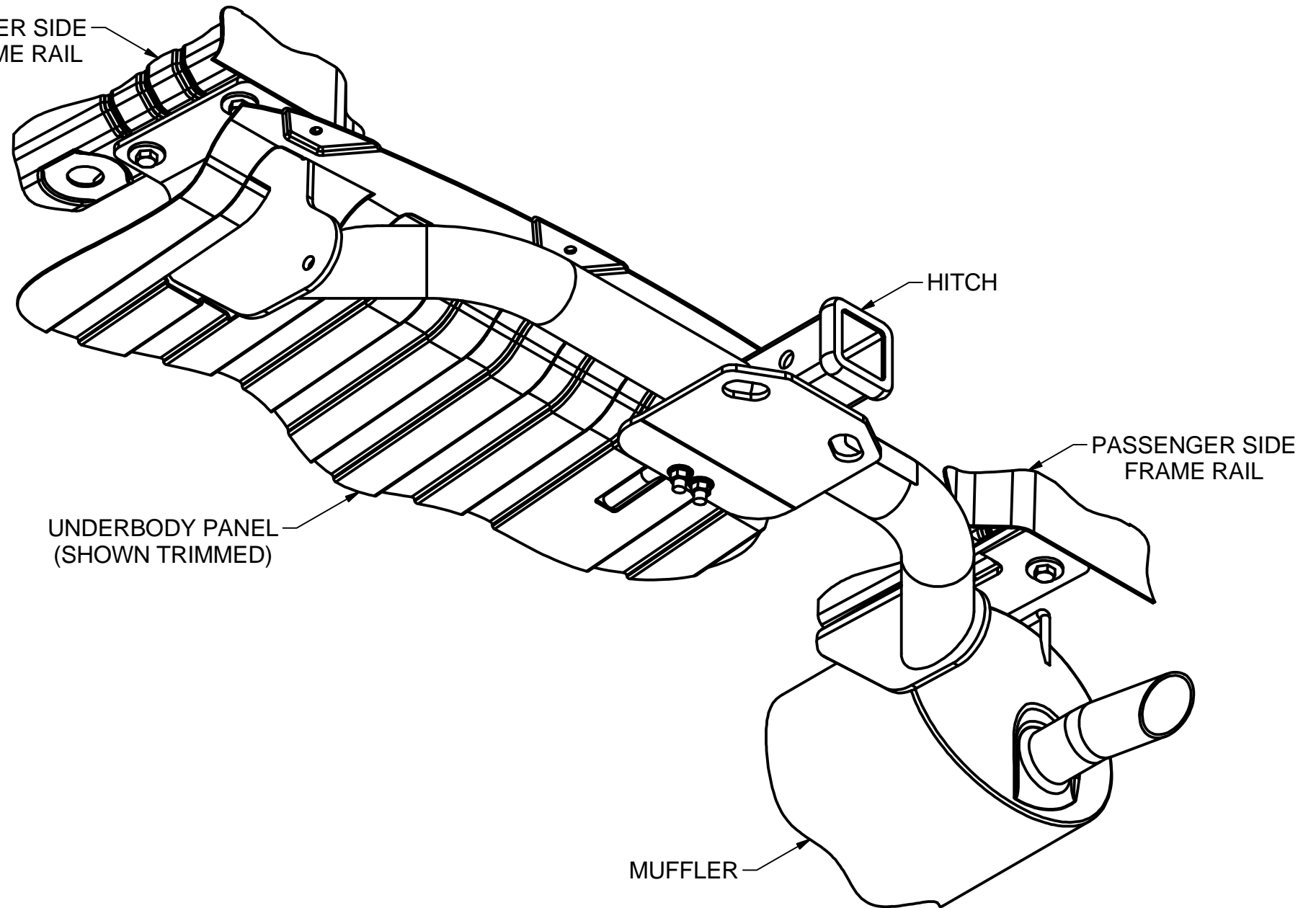
This technique can be used if an Exhaust Hanger Removal Pliers is not available.

Using a 5/8" open end wrench, slide the wrench up to the rubber isolator, cradling the hanger rod as shown. Next place the flat edge of a pry bar between the wrench and the hanger stop or hanger rod. Then simply rotate the pry bar toward the wrench to remove the rubber isolator.

Note: Using a spray lubricant or soapy water on the hanger rod and the rubber isolator helps removal.



DRIVER SIDE  
FRAME RAIL



HITCH

PASSENGER SIDE  
FRAME RAIL

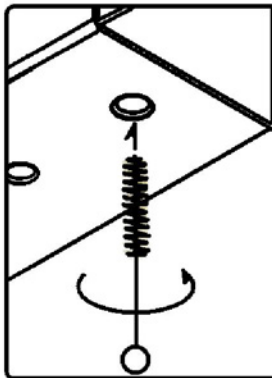
UNDERBODY PANEL  
(SHOWN TRIMMED)

MUFFLER

INSTALLED HITCH

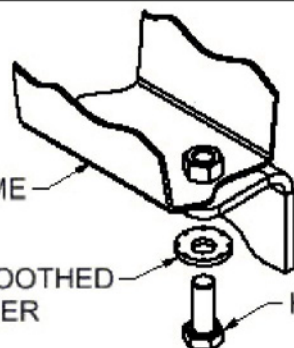
### WELDNUT CLEANING

To remove debris from weldnuts in frame, spray lubricant or compressed air into hole. For heavy debris, use a small wire brush. (Be careful not to damage threads).



### CONICAL TOOTHED WASHER ORIENTATION DIAGRAM

VEHICLE FRAME  
HITCH SIDE PLATE  
CONICAL TOOTHED WASHER  
HEX BOLT



## INSTALLATION STEPS

1. Remove (10) fasteners and lower underbody panel.
2. Lower exhaust by removing (2) rubber isolators from the hangers attached to the exhaust. (See RUBBER ISOLATOR REMOVAL DIAGRAM)
3. Mark and trim underbody panel. Reattach underbody panel using fasteners removed in Step (1).  
**Note:** Dimensions are approximate, confirm fit prior to trimming. Use ribs of the underbody panel as cutting guides. (See Underbody panel trim diagram)
4. Insert 7/16" U-bolt through tow hook, as shown.
5. Raise hitch into position and secure using 7/16" flange nuts to the U-bolt and 10mm bolts with 7/16" conical toothed washers to the weldnuts in the frame rails. (See WELDNUT CLEANING DIAGRAM)
6. Torque all 7/16" hardware to 50 ft-lbs.  
Torque all 10mm hardware to 48 ft-lbs.
7. Raise exhaust back into position.

PERIODICALLY CHECK THIS RECEIVER HITCH TO ENSURE THAT ALL FASTENERS ARE TIGHT AND THAT ALL STRUCTURAL COMPONENTS ARE SOUND.

Keystone Automotive Operations Inc., warrants this product to be free of defects in material and/or workmanship at the time of retail purchase by the original purchaser. If the product is found to be defective, Keystone Automotive Operations Inc., may repair or replace the product, at their option, when the product is returned, prepaid, with proof of purchase. Alteration to, misuse of, or improper installation of this product voids the warranty. Keystone Automotive Operations Inc.'s liability is limited to repair or replacement of products found to be defective, and specifically excludes liability for incidental or consequential loss or damage. This product complies with safety specifications and requirements for connecting devices and towing systems of the state of New York, V.E.S.C. Regulation V-5 and SAE J684.

11202017