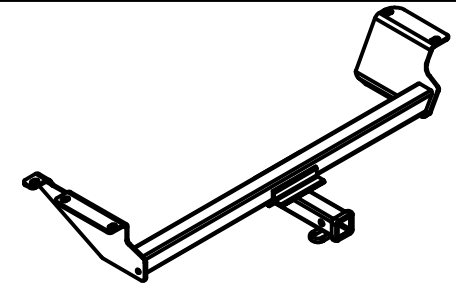




# Class III Receiver Hitch Part No. 69479C



**Fits:** DODGE GRAND CARAVAN S, SXT / CHRYSLER TOWN AND COUNTRY TOURING /  
VOLKSWAGEN ROUTAN S, SE, SEL / RAM CARGO VAN

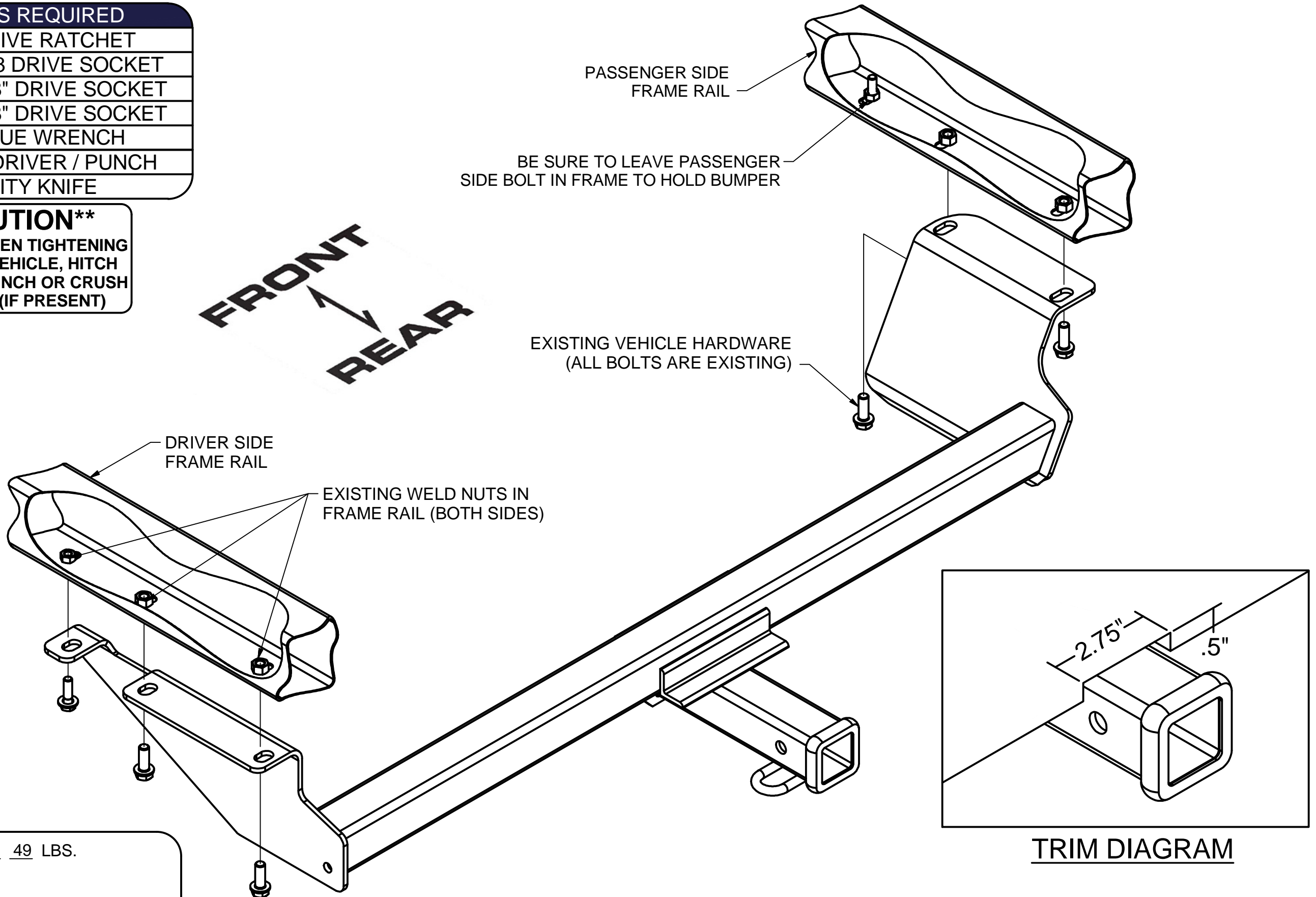


GROSS LOAD CAPACITY WHEN USED AS A WEIGHT CARRYING HITCH: 4,000 LBS. TRAILER WEIGHT & 400 LBS. TONGUE WEIGHT.  
GROSS LOAD CAPACITY WHEN USED AS A WEIGHT DISTRIBUTION HITCH: 5,000 LBS. TRAILER WEIGHT & 500 LBS. TONGUE WEIGHT  
WARNING: \*\*\* DO NOT EXCEED VEHICLE MANUFACTURER'S RECOMMENDED TOWING CAPACITY. \*\*\*



TOOLS REQUIRED
3/8" DRIVE RATCHET
18mm - 3/8 DRIVE SOCKET
15mm - 3/8" DRIVE SOCKET
13mm - 3/8" DRIVE SOCKET
TORQUE WRENCH
SCREW DRIVER / PUNCH
UTILITY KNIFE

**\*\*CAUTION\*\***  
BE SURE WHEN TIGHTENING  
HITCH TO VEHICLE, HITCH  
DOES NOT PINCH OR CRUSH  
AC LINES (IF PRESENT)



HITCH WEIGHT: 49 LBS.

**INSTALL TIME**

PROFESSIONAL: 25 MINUTES

NOVICE (DIY): 50 MINUTES

**INSTALL NOTES:**

- NO DRILLING REQUIRED
- USE EXISTING FASTENERS
- LOWER EXHAUST
- TRIMMING MAY BE REQUIRED

\*\*\* USE EXISTING VEHICLE HARDWARE \*\*\*

\*\*\* BE SURE LEAVE BOLT ON PASSENGER SIDE TO HOLD BUMPER BEAM IN POSITION \*\*\*

## INSTALLATION STEPS

- 1) Locate and remove the (2) bolts using a 15mm socket and (3) bolts using a 18mm socket as shown above. Leave (1) 12mm bolt on passenger side of vehicle frame toward the front of vehicle that holds the bumper bracket to vehicle frame. Remove the bolt(s) holding the exhaust and muffler hanger(s). This will allow exhaust to drop down out of the way for hitch installation.
  - 2) Raise hitch into position against the bottom of vehicle frame and align holes in hitch frame brackets with the holes in vehicle frame. Be sure air conditioning (AC) lines are not pinched between hitch and frame rail (if AC lines are present). (Fascia trimming may be required on Town and Country van, refer to trim diagram).
  - 3) Mount hitch using existing 10mm and 12mm bolts, may need a punch or screw driver to align holes.
  - 4) Torque all 10mm fasteners to 48 lb-ft, and all 12mm fasteners to 86 lb-ft.
  - 5) Raise the muffler and re-install any other exhaust bolts removed earlier in Step 1.
- NOTE:** Rotating exhaust hanger bracket before tightening will add clearance between side bracket and exhaust.

PERIODICALLY CHECK THIS RECEIVER HITCH TO ENSURE THAT ALL FASTENERS ARE TIGHT AND THAT ALL STRUCTURAL COMPONENTS ARE SOUND.

Keystone Automotive Operations Inc., warrants this product to be free of defects in material and/or workmanship at the time of retail purchase by the original purchaser. If the product is found to be defective, Keystone Automotive Operations Inc., may repair or replace the product, at their option, when the product is returned, prepaid, with proof of purchase. Alteration to, misuse of, or improper installation of this product voids the warranty. Keystone Automotive Operations Inc.'s liability is limited to repair or replacement of products found to be defective, and specifically excludes liability for incidental or consequential loss or damage. This product complies with safety specifications and requirements for connecting devices and towing systems of the state of New York, V.E.S.C.

11202017