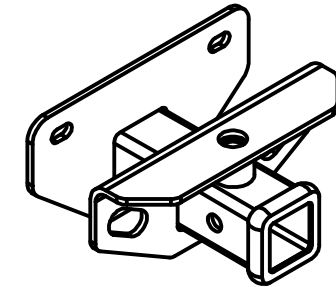




Class III Receiver Hitch

Part No. 69458C



Fits: 2003-PRESENT DODGE RAM 1500(BUILT AFTER 11/02) / 2500HD / 3500HD



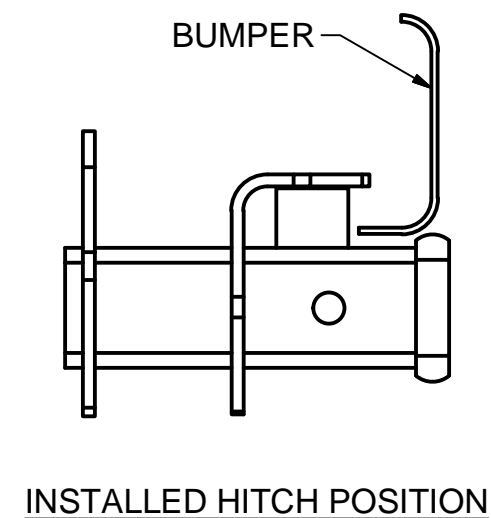
**GROSS LOAD CAPACITY WHEN USED AS A WEIGHT CARRYING HITCH: 6,000 LBS. TRAILER WEIGHT & 600 LBS. TONGUE WEIGHT.
GROSS LOAD CAPACITY WHEN USED AS A WEIGHT DISTRIBUTION HITCH: 10,000 LBS. TRAILER WEIGHT & 1,000 LBS. TONGUE WEIGHT**



WARNING: * DO NOT EXCEED VEHICLE MANUFACTURER'S RECOMMENDED TOWING CAPACITY. *****

Parts List			
ITEM	QTY	PART NUMBER	DESCRIPTION
1	2	1/2-13 x 1 1/2	CARRIAGE BOLT
2	2	CM-SP4	.250 x 1.50 x 3.00" SQ. HOLE SPACER
3	2	HFN 1213	HEX FLANGE NUT
4	2	1_2 x 30 FISHWIRE	1/2" x 30" FISHWIRE
5	1	3_4 - 10 x 3.25 FHSCS	FLAT HEAD SOCKET CAP SCREW, ZP

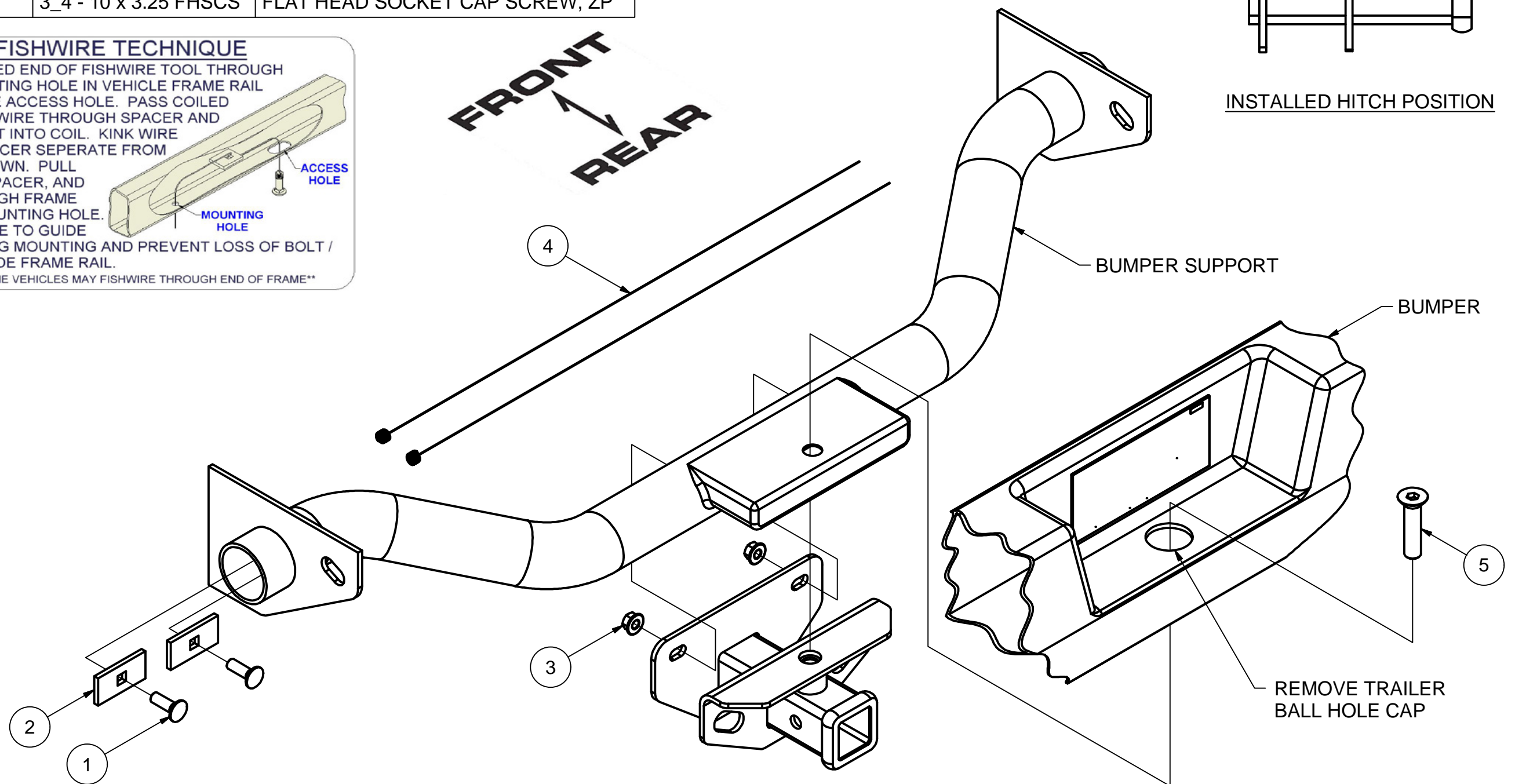
TOOLS REQUIRED
3/4" SOCKET
1/2" HEX BIT SOCKET
RATCHET
TORQUE WRENCH



FISHWIRE TECHNIQUE

INSERT COILED END OF FISHWIRE TOOL THROUGH HITCH MOUNTING HOLE IN VEHICLE FRAME RAIL AND OUT THE ACCESS HOLE. PASS COILED END OF FISHWIRE THROUGH SPACER AND THREAD BOLT INTO COIL. KINK WIRE TO KEEP SPACER SEPERATE FROM BOLT AS SHOWN. PULL FISHWIRE, SPACER, AND BOLT THROUGH FRAME AND OUT MOUNTING HOLE. USE FISHWIRE TO GUIDE HITCH DURING MOUNTING AND PREVENT LOSS OF BOLT / SPACER INSIDE FRAME RAIL.

NOTE: SOME VEHICLES MAY FISHWIRE THROUGH END OF FRAME



HITCH WEIGHT: 14 LBS.

INSTALL TIME

PROFESSIONAL: 15 MINUTES

NOVICE (DIY): 30 MINUTES

INSTALL NOTES:

- NO DRILLING REQUIRED

- FISHWIRE HARDWARE

INSTALLATION STEPS

1. Remove existing trailer ball hole cap on center of bumper and return to vehicle owner.
2. Raise the hitch into position and secure with 3/4-10 x 3 1/4" flat head socket cap screw through the bumper and bumper support into the hitch.
3. Fishwire 1/2-13 carriage bolts and CM-SP4 spacers through the end of the bumper support tube and into each mount hole of the hitch. (See Fishwire Technique.)
4. Secure hitch to bumper support with 1/2-13 hex flange nuts.
5. Torque all 1/2" hardware to 110 lb-ft and all 3/4" hardware to 380 lb-ft.

PERIODICALLY CHECK THIS RECEIVER HITCH TO ENSURE THAT ALL FASTENERS ARE TIGHT AND THAT ALL STRUCTURAL COMPONENTS ARE SOUND.

Keystone Automotive Operations Inc., warrants this product to be free of defects in material and/or workmanship at the time of retail purchase by the original purchaser. If the product is found to be defective, Keystone Automotive Operations Inc., may repair or replace the product, at their option, when the product is returned, prepaid, with proof of purchase. Alteration to, misuse of, or improper installation of this product voids the warranty. Keystone Automotive Operations Inc.'s liability is limited to repair or replacement of products found to be defective, and specifically excludes liability for incidental or consequential loss or damage. This product complies with safety specifications and requirements for connecting devices and towing systems of the state of New York, V.E.S.C.

11202017