



Assembly, Installation, Operation and Maintenance Instructions

P/N: 32337

Centerline TS/HD LANYARD ASSEMBLY SERVICE KIT

Dealer / Installer: Provide a copy of these Instructions to the end user of this product. These Instructions provide important operating and safety information for proper usage of this product. Demonstrate the proper use of the product with the end user. Have the end user demonstrate that they understand the proper use of the product.

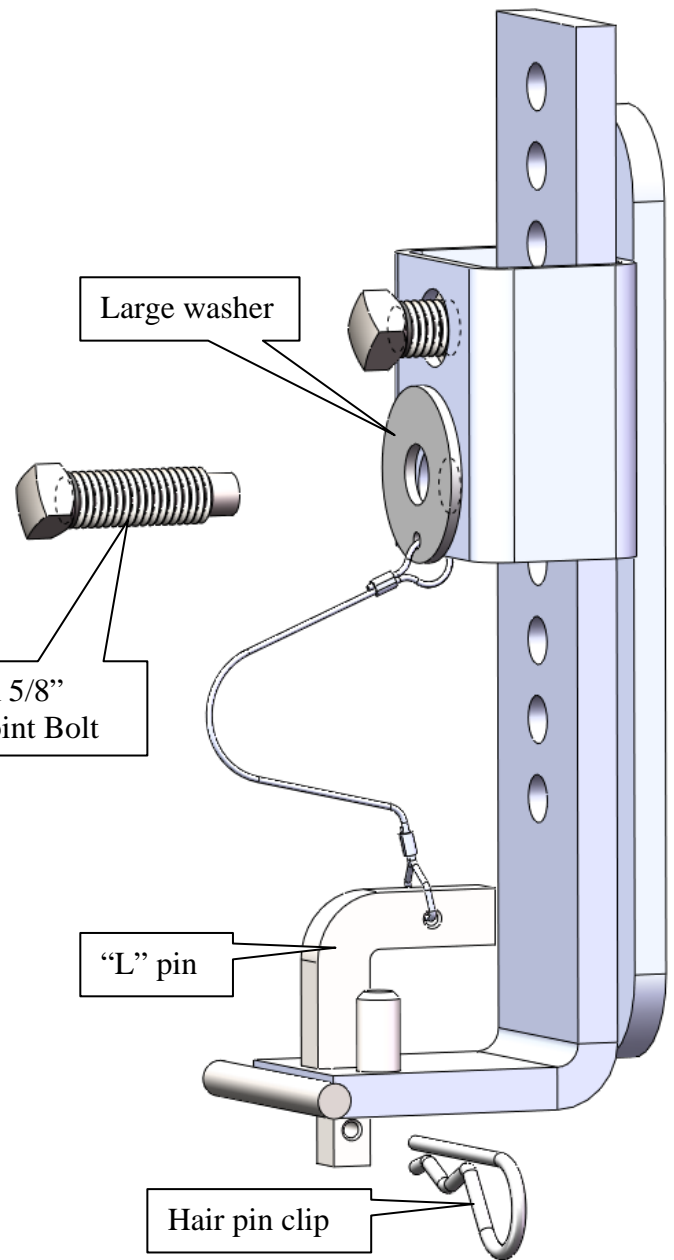
End User: Read and follow all instructions included in this manual. Ask your Dealer / Installer for assistance if you do not understand the proper use of the product. Never remove any decals from the product.

Tools Needed:

5/8" open end wrench or 12 pt socket and ratchet.
Torque wrench capable of 60 ft. lbs. torque.

Procedure for the TS Lanyard:

1. Remove bottom 5/8" Dog Point Bolt.
2. Remove hair pin clip from "L" pin.
3. Discard old lanyard assembly.
4. Insert "L" pin into square hole in lift bracket and insert hair pin clip.
5. Hold large washer up to frame bracket over 5/8" threaded hole.
6. Insert 5/8" Dog Point Bolt through washer and tighten to 45-55 ft. lbs.
7. Repeat steps 1-6 for other side.

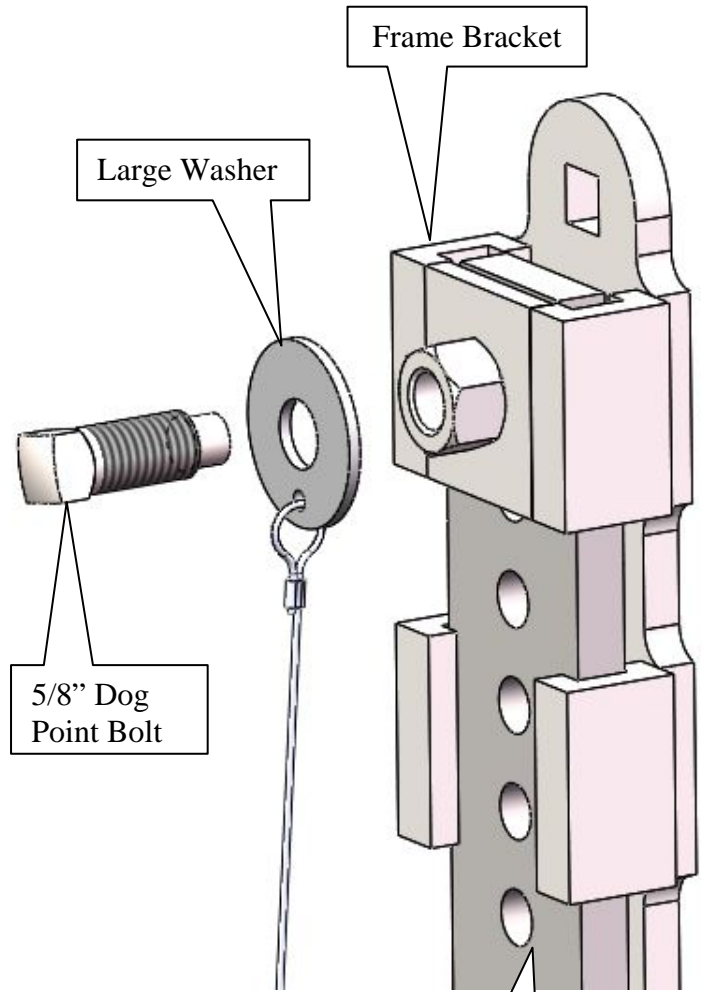


TS Lift Bracket

Use only the supplied bolts, nuts, and washers to install this kit.

Procedure for the HD Lanyard:

1. **Remove Spring Bar from the Lift Bracket.**
2. Make a note of which hole the bolt was in then remove the single 5/8" Dog Point Bolt. Keep the Spring Bar Lift Bracket from falling.
3. Remove hair pin clip from "L" pin.
4. Discard old lanyard assembly.
5. Insert the 5/8" Dog Point Bolt through the new washer and screw into the Frame Bracket nut a couple turns.
6. Slide the Spring Bar Lift Bracket back into the Frame Bracket and line up the previously used hole with the Dog Point Bolt. Tighten the bolt, making sure the screw passes through the hole in the bracket and is not resting on the bracket face. Torque to 45-55 ft. lbs.
7. Insert "L" pin into square hole in lift bracket and insert hair pin clip after the Spring Bars are reinstalled.
8. Repeat steps 1-8 for other side.



WARNING:

The Spring Bars must be removed before unscrewing the 5/8" Dog Point Bolt on the HD Lift Bracket. See manual 31390 for detailed instructions.

