



# Assembly, Installation, Operation and Maintenance Instructions

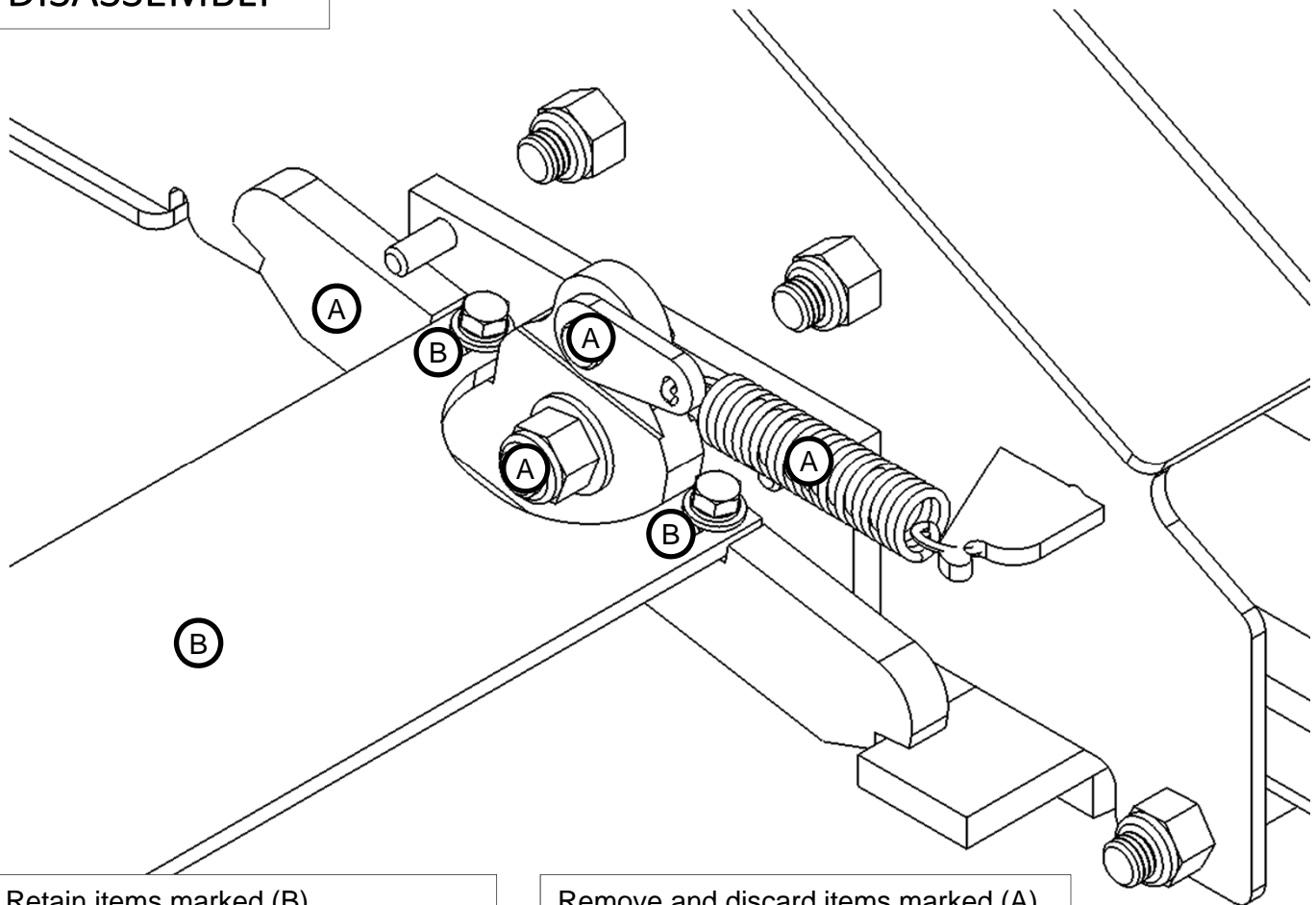
## 26K HUSKY 10 PS PIVOT ASSEMBLY SERVICE KIT

Part # 32049

**Dealer / Installer:** Provide a copy of these Instructions to the end user of this product. These Instructions provide important operating and safety information for proper usage of this product. Demonstrate the proper use of the product with the end user. Have the end user demonstrate that they understand the proper use of the product.

**End User:** Read and follow all instructions included in this manual. Ask your Dealer / Installer for assistance if you do not understand the proper use of the product. Never remove any decals from the product.

### DISASSEMBLY



Retain items marked (B)

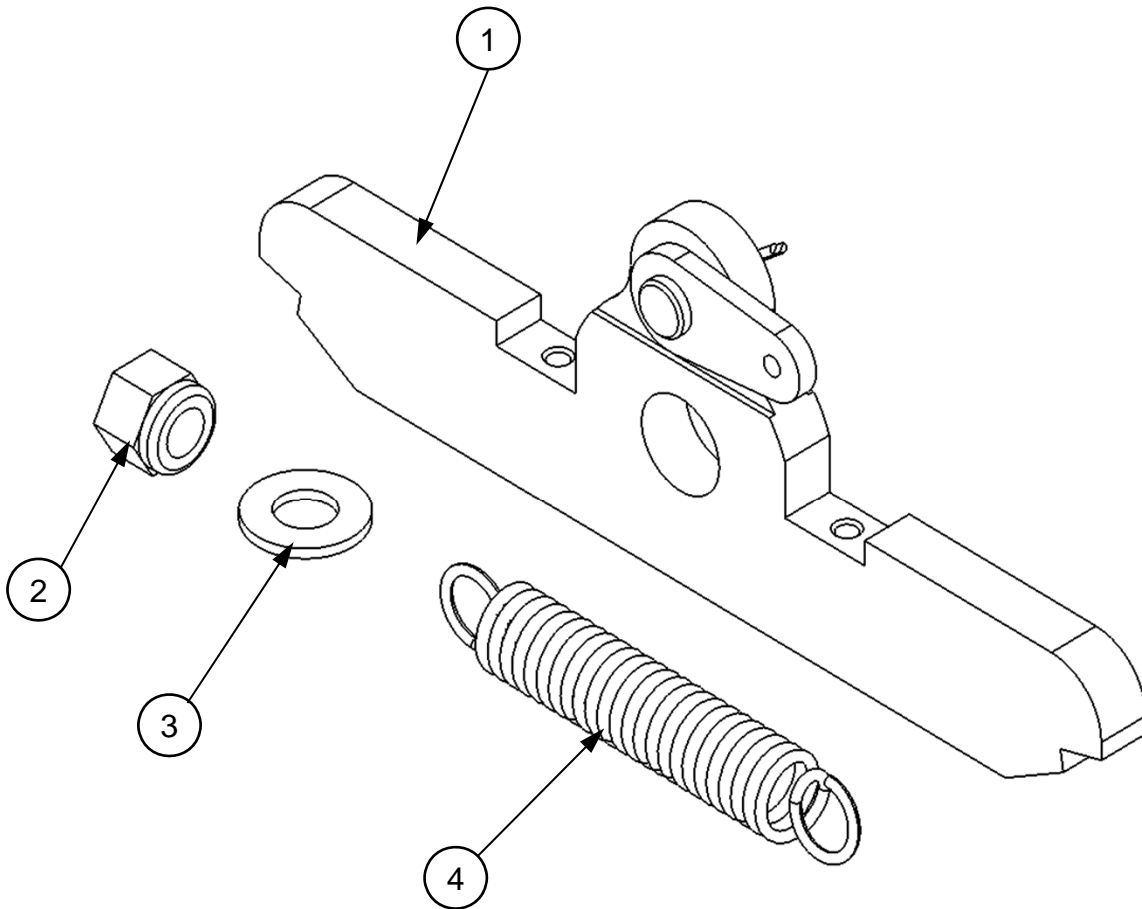
- 1/4-20 hex bolt(both ends of plate)
- 1/4" Lock washer(both ends of plate)
- 1/4" Flat washer(both ends of plate)
- Pivot plate
- Flipper

Remove and discard items marked (A)

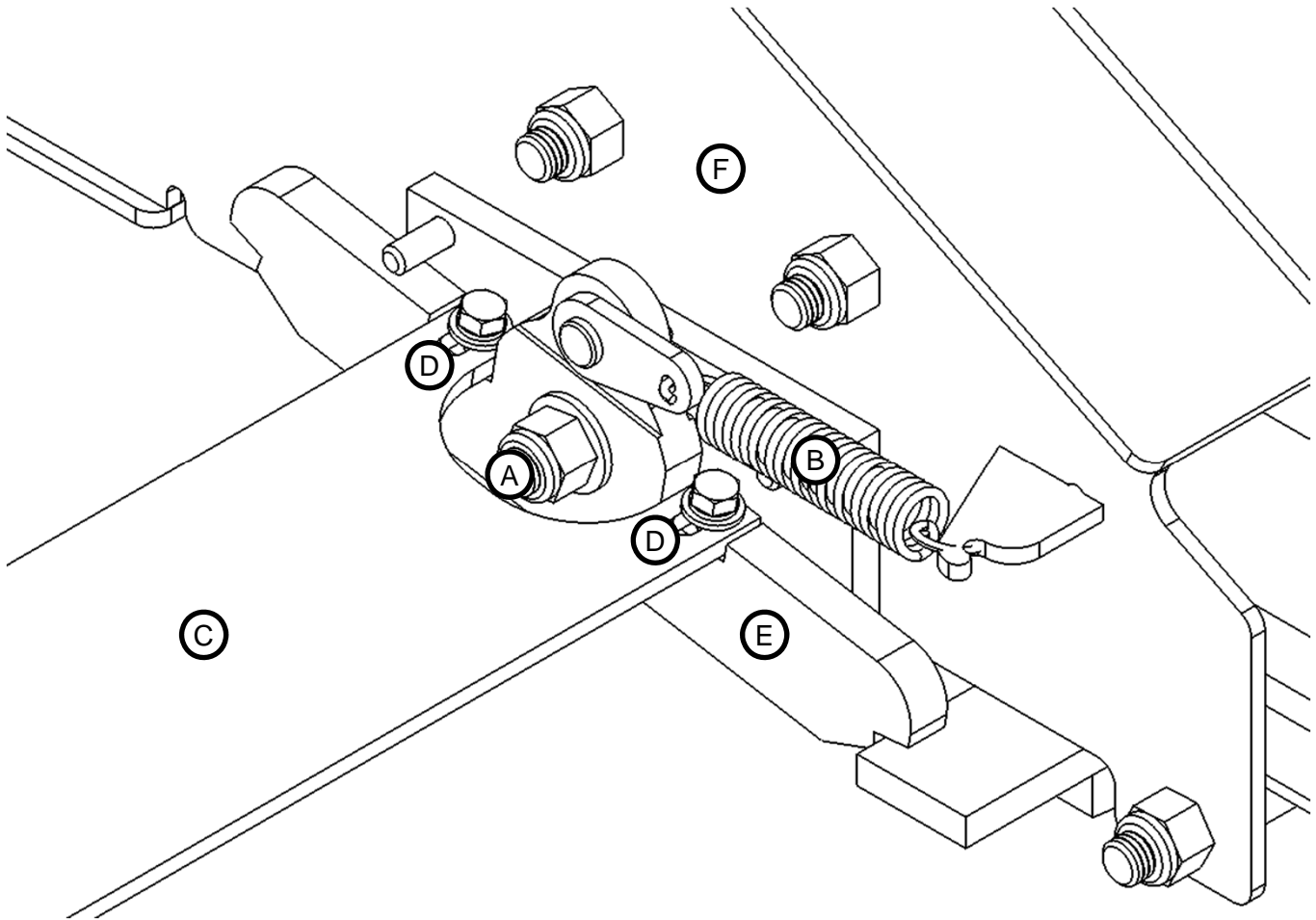
- Extension spring
- Spring plate
- Clevis/cotter pins
- Flipper
- 1/2-13 lock nut and flat washer

# KIT CONTENTS

Parts listing	
Item no.	Description
1	Flipper assembly
2	½-13 Lock nut
3	½" Flat washer
4	Extension spring



Tools required	
Needle nose pliers	¾" Socket and ratchet
100 ft. Lbs. Min. Torque wrench	Thick grease



## ASSEMBLY AND ADJUSTMENT INSTRUCTIONS:

1. Apply grease to the pivot shaft (A).
2. Slide flipper assembly on to pivot shaft (A).
3. Install ½" flat washer and ½-13 lock nut on to pivot shaft (A) and torque to 75 lbs. ft.
4. Install extension spring (B) as shown.
5. Install pivot plate (C) onto flats (D) of flipper (E) and install ¼-20 hex bolts, lock/flat washers loosely.
6. Center the pivot plate (C) so that it is centered left to right.
7. Align flat surface of driver side flipper (E) so it is parallel to inside of housing surface (F) and tighten ¼-20 hex bolts. Repeat this for the driver side flipper.
8. By hand, grab a hold of pivot plate (C) and rotate to ensure that it will move freely.
9. Put the handle into the maneuver position and slide the hitch assembly into the maneuver position and confirm that the stop edge on the pivot stops touch the stop tab.
10. If all moves without binding and the pivot stop surface makes full contact with the stop tab in both positions then you are ready to complete the assembly by attaching the 5th wheel head and related components.

# Warranty Terms:

## 10 Year Limited Warranty:

This warranty applies solely to Husky 5<sup>th</sup> Wheel Products manufactured by Keystone Automotive Operations Inc. for Husky Towing Products.

Husky Towing Products and Keystone Automotive Operations Inc. make no guarantees or warranties for products not manufactured by Keystone Automotive Operations Inc. Such products are covered solely under any applicable warranty of the manufacturer. It is always recommended that the operating instructions and guarantee instructions provided by the manufacturer are followed.

Keystone Automotive Operations Inc. warrants its products to be free from manufacturing and material defects to the original purchaser for the length of warranty stated above from the date of retail purchase. If any products are found to have a manufacturing or material defect, the product will be replaced or repaired at the option of Husky Towing Products and Keystone Automotive Operations Inc. with proof of purchase by the original purchaser. The original purchaser shall pay all transportation and shipping costs associated with the return of the defective product and the defective product shall become the property of Keystone Automotive Operations Inc.

The Warranty applies to Keystone Automotive Operations Inc. products used for individual and recreational purposes. Commercial usage of the Keystone Automotive Operations Inc. products limits the warranty to 90-days from date of purchase.

The Warranty applies only to Keystone Automotive Operations Inc. products which are found to be defective in manufacturing or material. This warranty does not apply to normal wear and tear of to the finished placed on Keystone Automotive Operations Inc. products.

Husky Towing Products and Keystone Automotive Operations Inc. are not responsible for any labor costs incurred for removal or replacement of the defective product.

Husky Towing Products and Keystone Automotive Operations Inc. are not responsible for repair or replacement of any product under the limited warranty where the product was improperly installed, misapplied, altered, abused, neglected, overloaded, misused or damaged as a result of an accident, including any use of the product not in accordance with all product operating and safety instructions.

Without limiting the generality of the foregoing, Husky Towing Products and Keystone Automotive Operations Inc. shall under no circumstances be liable for any incidental or consequential loss or damage whatsoever arising out of, or in any way relating to any such breach of warranty or claimed defect in, or non-performance of the products. Some states do not allow the exclusion or limitation of incidental or consequential damages, so the above exclusion or limitation may not apply to you.

This limited warranty gives you specific legal rights, and you may also have other rights that vary from state to state.