



Assembly, Installation, Operation and Maintenance Instructions

10 BOLT UNIVERSAL BASE Part # 31622 RAIL MOUNTING KIT

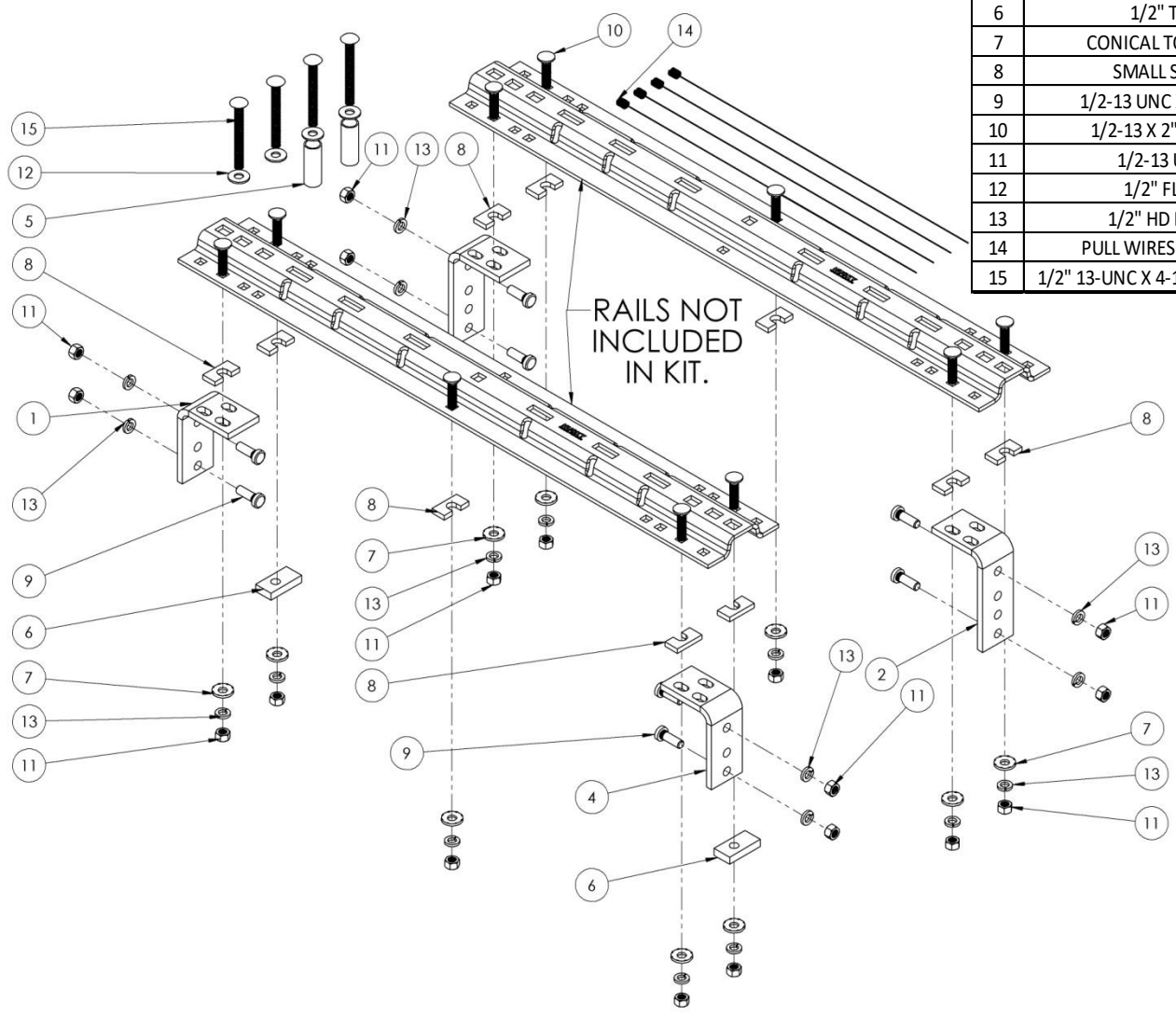
Use with Husky Base Rail Kit 30686

Dealer / Installer: Provide a copy of these Instructions to the end user of this product. These Instructions provide important operating and safety information for proper usage of this product. Demonstrate the proper use of the product with the end user. Have the end user demonstrate that they understand the proper use of the product.

End User: Read and follow all instructions included in this manual. Ask your Dealer / Installer for assistance if you do not understand the proper use of the product. Never remove any decals from the product.

Torque all nuts to 75 lb-ft

ITEM	DESCRIPTION	QTY
1	RIGHT SHORT L BRACKET	1
2	LEFT LONG L BRACKET	1
3	RIGHT LONG L BRACKET	1
4	LEFT SHORT L BRACKET	1
5	1.000" OD X 2.688" LONG TUBE	2
6	1/2" THICK PLATE	2
7	CONICAL TOOTHED WASHER	10
8	SMALL SPACER PLATE	10
9	1/2-13 UNC X 1.5 WHEEL BOLT	8
10	1/2-13 X 2" CARRIAGE BOLT	10
11	1/2-13 UNC HEX NUT	18
12	1/2" FLAT WASHER	4
13	1/2" HD LOCK WASHER	18
14	PULL WIRES(4@23.5"/2@40")	6
15	1/2" 13-UNC X 4-1/2" LG CARRIAGE BOLT	4



TOOLS

3/16" drill	3/4" Socket & Open End Wrench
17/32" drill	100 lb-ft Torque Wrench
1" drill (Some Dodge applications only)	"C" Clamps

1. The following instructions should be used to mount the fifth wheel. Care and attention to detail will ensure a quick quality installation. Check parts against parts list to become familiar with parts in kit. (See Fig. 1)
2. Raise rear of truck high enough to allow jack stands to be placed under rear spring hanger bracket of truck. This will provide maximum room to install the fifth wheel brackets.

WARNING:

If the truck is raised, be sure that the truck is properly blocked and restrained to prevent the truck from falling. Failure to do so may result in the truck suddenly falling, causing death or serious injury.

3. Do not install mounting rails over plastic bed liners. Plastic bed liners must be cut out of the way. Base rails may be installed on spray in liner. **Note: Consult installer for recommended curing time.**
4. Use only the supplied bolts, nuts, and washers to install this kit. All bolts and nuts are Grade 5 unless specified otherwise.
5. Specific instructions for most commonly used vehicles are included. Each frame bracket must be bolted to the vehicle frame with two bolts.

CAUTION:

These instructions are guidelines only. Actual installation is the responsibility of the installer and the owner. Always measure truck and trailer before installing hitch to be sure that there is clearance at the cab and at the bumper to allow for turns.

Always know what you are towing. After hitch is installed, measure from the center of the jaw to the rear of the truck cab. Then measure the width of your towed trailer at the nose and divide that by 2. This width may be more than the previous measurement to the rear of the cab. A maneuvering hitch like the **Husky 10 Glider** may be needed to increase the turning clearance between the cab of the truck and the nose of the 5th wheel trailer.

DO NOT INSTALL ON OR ATTEMPT TO TOW WITH A TRUCK HAVING LESS THAN A 6' BED.

6. Measurements are given from Rear Edge of truck bed to rear edge of the base rail closest to the Rear Edge of truck for most vehicle applications (See Fig. 2).
7. Center hitch between fender wells and make sure rails are square. Adjust position of rails until both diagonal measurements are the same. This should allow installation of a gooseneck or other fifth wheels to these rails (See Fig. 2).

CAUTION:

Check for obstructions before drilling. Failure to do so could result in damaged fuel or brake lines, structural members, etc. HUSKY TOWING PRODUCTS does its best to communicate tow vehicle manufacturer changes; however, it is ultimately the responsibility of the installer to prevent damage due to installation.

CAUTION:

It is important that 17/32" drill be used for holes in chassis frame as rib neck bolts may break if too small a hole is used and neck may not grip if too large a hole is used.

8. Drill 10 holes identified in Fig. 2. (Hole location will vary for individual vehicle applications.) Drill all holes with 3/16" drill and enlarge them with a 17/32" drill. Always use sharp drill bits. A 3/16" pilot hole will greatly speed drilling larger holes. Install 1/2" carriage bolts into holes. Install 5/16" thick slotted spacer above or below bed to fill corrugations in bed floor. **NOTE: For Toyota 2000-2006 Tundra application, part #30597 spacer kit is required. Stack (1) 3/16" and (1) 5/16" thick slotted spacer to avoid crushing of truck bed.**

9. Install mounting brackets onto carriage bolts with the long brackets on forward bolts and short brackets on rearward (long and short brackets can be interchanged as needed). Secure bolts through mounting brackets with serrated washers, lock washers, and hex nuts. Secure the other four bolts through the bed with flat washers, lock washers, and nuts.
10. Drill two holes in frame for each bracket. Select the holes which will give the greatest spread between bolts. Install eight 1/2"-13x1-3/8" ribbed neck bolts, (threads pointing out), lock washers, and hex nuts. Tighten nuts until bolt heads seat. Lubrication of knurls of all rib neck bolts is recommended.

Note: On vehicles with heavy duty suspensions, check for interference with bolts where brackets are mounted to frame. If interference with suspension spring results, cut bolt flush to nut outboard of frame

WARNING:
DO NOT lubricate threads. It may cause bolt failure.

CAUTION:
Check for obstructions before drilling. Failure to do so could result in damaged fuel or brake lines, structural members, etc. HUSKY TOWING PRODUCTS does its best to communicate tow vehicle manufacturer changes; however, it is ultimately the responsibility of the installer to prevent damage due to installation.

Example of a 10 bolt installation shown below for a 2000-2010 GM Silverado Truck.

Insert 5th wheel uprights into slots in base rails for proper spacing of base rails(not included)

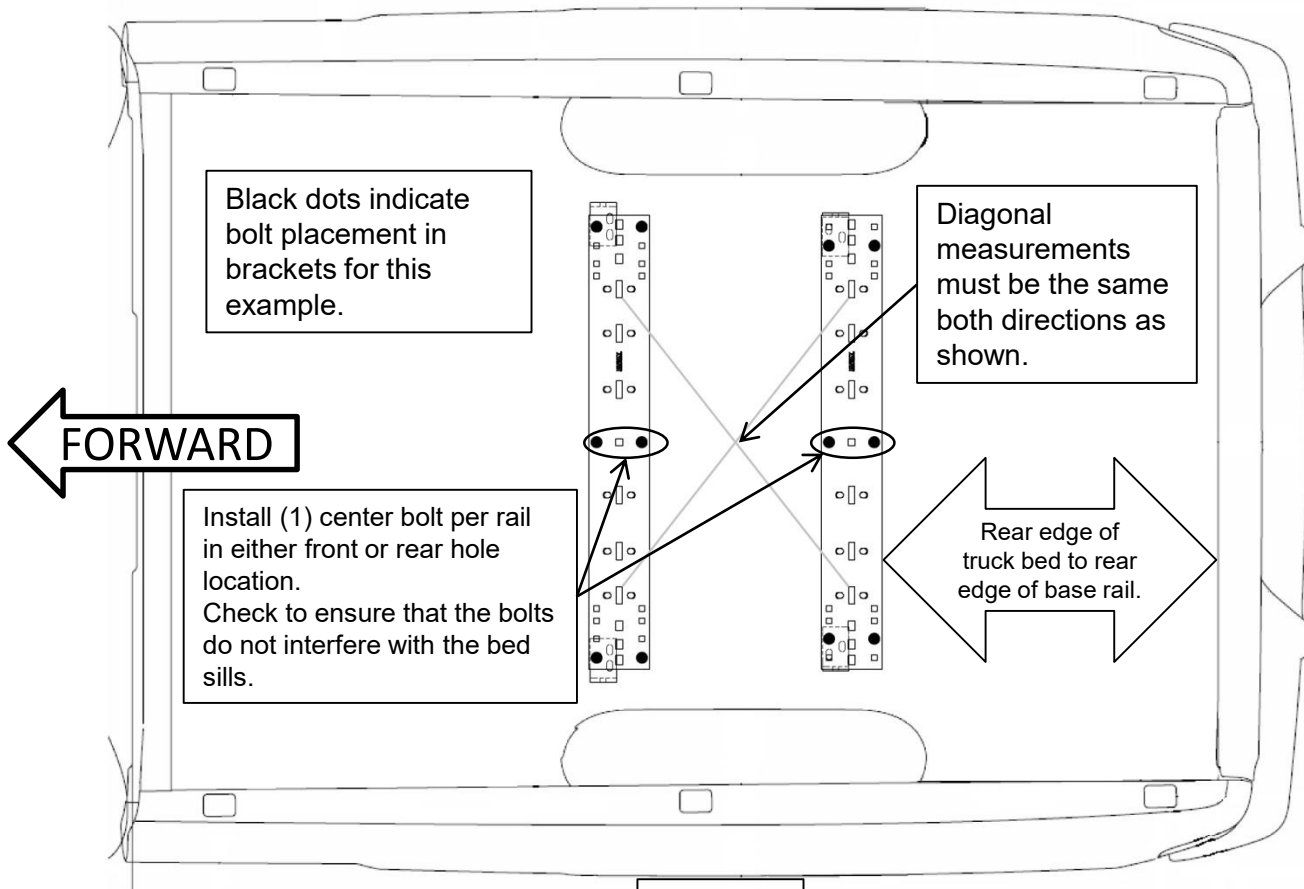


Figure 2

Use this table to determine which fasteners are used(from kit 31622) for a given vehicle fitting. If a fitting references a different kit number it is possible that hardware from both kits 31622 and the corresponding kit "adapter" will be used. See the corresponding adapter kit for other hardware used.		INCLUDED IN 31622 KIT																
ITEM NO.	DESCRIPTION	QTY	FIT #1(31622)	FIT #2(31622)	FIT #3(31622)	FIT #4(31622)	FIT #5(31622)	FIT #6(30619)	FIT #7(31622)	FIT #8(31622)	FIT #9(31622)	FIT #10(30562Optional)	FIT #11(30582)	FIT #12(31622)	FIT #13(31622)	FIT #14(31622)	FIT #15(30600)	FIT #16(31727)
1	RIGHT SHORT L BRACKET	1	1	1	1	-	1	-	1	1	1	1	-	1	1	1	-	-
2	LEFT LONG L BRACKET	1	1	1	1	1	1	-	1	1	1	1	1	1	1	1	1	-
3	RIGHT LONG L BRACKET	1	1	1	1	1	1	-	1	1	1	1	1	1	1	1	1	-
4	LEFT SHORT L BRACKET	1	1	1	1	-	1	-	1	1	1	1	-	1	1	1	1	-
5	1.000" OD X 2.688" LONG TUBE	2	-	-	-	2	-	-	-	-	-	2	2	-	-	-	-	-
6	1/2" THICK PLATE	2	-	-	-	-	-	-	-	-	-	-	-	-	-	-	2	-
7	CONICAL TOOTHED WASHER	10	10	10	10	10	10	10	10	10	10	10	10	10	10	10	10	10
8	SMALL SPACER PLATE	10	10	10	10	10	10	10	10	10	10	10	10	10	10	10	10	10
9	1/2-13 UNC X 1.5 WHEEL BOLT	8	8	8	8	4	8	-	8	8	8	8	8	8	8	8	6	4
10	1/2-13 X 2" CARRIAGE BOLT	10	10	10	10	6	8	10	10	10	10	8	8	10	10	10	4	10
11	1/2-13 UNC HEX NUT	18	18	18	18	14	18	10	18	18	18	18	18	18	18	18	16	18
12	1/2" FLAT WASHER	4	-	-	-	-	-	-	-	-	-	-	-	-	-	-	-	-
13	1/2" HD LOCK WASHER	18	18	18	18	14	18	10	18	18	18	18	18	18	18	18	16	18
14	PULL WIRES(2@23.5"/2@40")	4	4	4	4	4	4	4	4	4	4	4	4	4	4	4	4	4
15	1/2" 13-UNC X 4-1/2" LG CARRIAGE BOLT	4	-	-	-	4	2	-	-	-	-	2	2	-	-	-	-	-

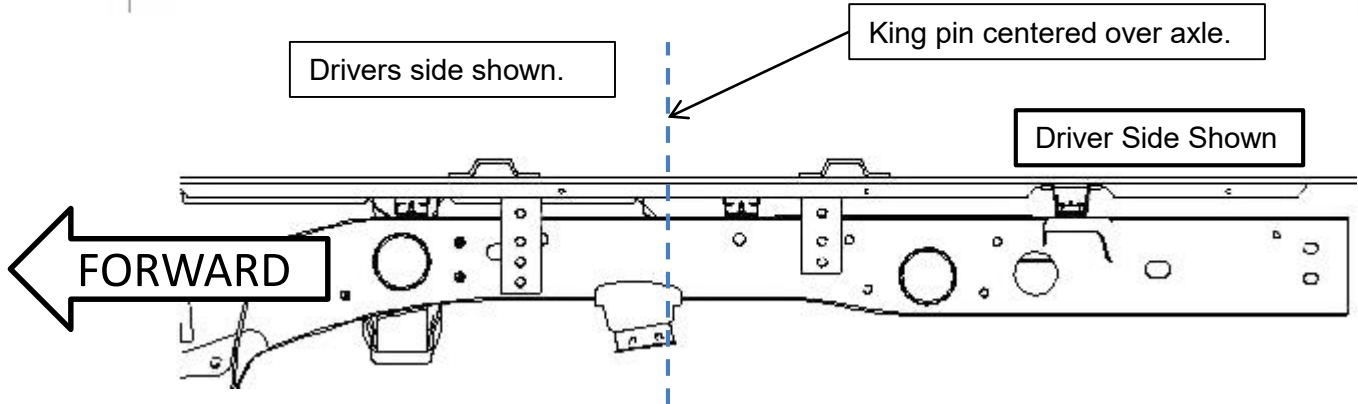
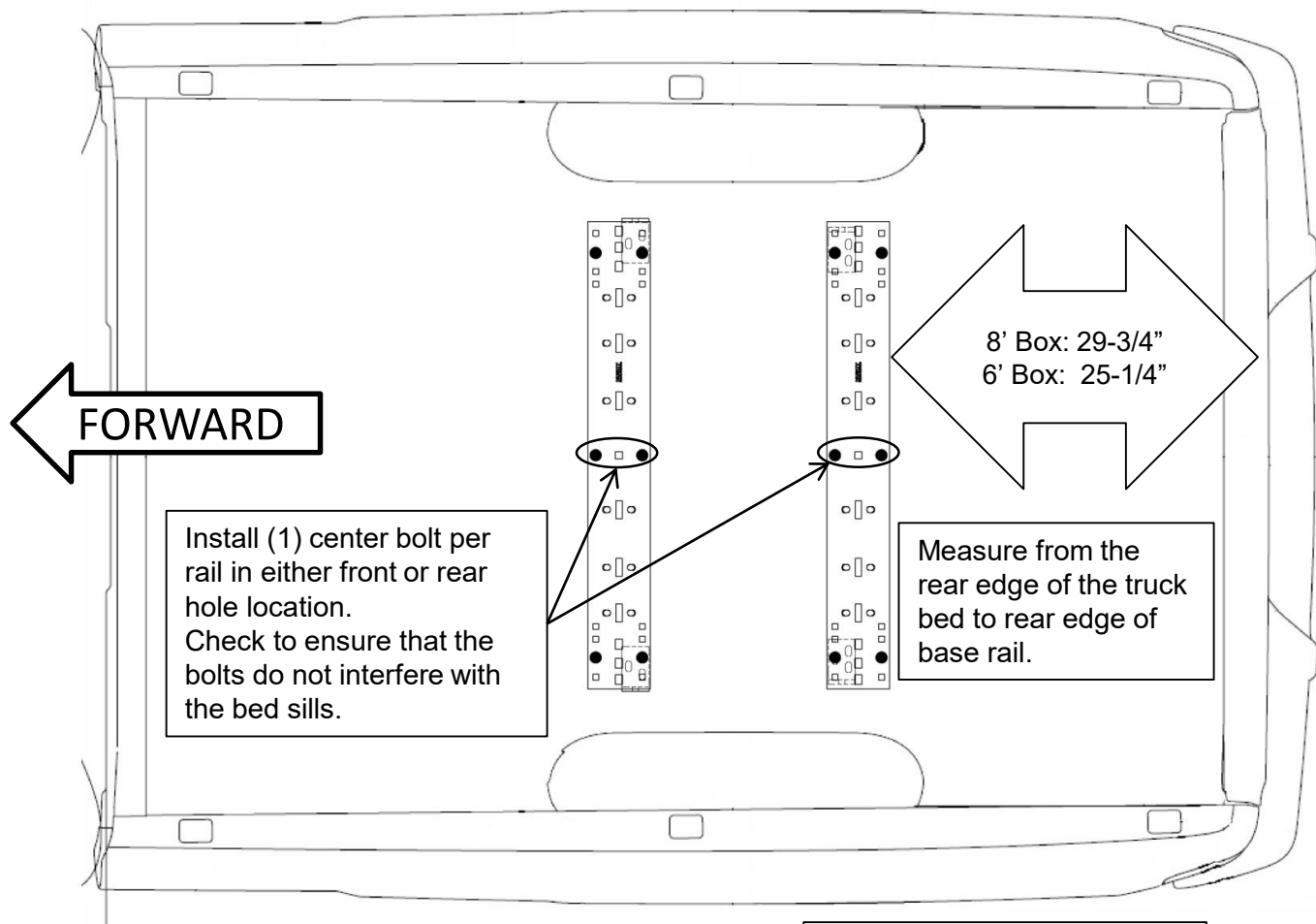
	Description	Pg #
FIT #1	Chevy and GM 2011 and Newer 2500 HD & 3500 HD Silverado and Sierra	5
FIT #2	GM '99 Silverado, Sierra (not Sierra Classic) models, Chevy & GM '00 to '10 Silverado, Sierra including HD models	6
FIT #3	Chevrolet/GMC 88-98 / 92-98 4-Door / '99 Silverado / Sierra Classic	7
FIT #4	Chevrolet '73 TO '87/'73 TO '92 4-door(GMC) (34" Straight, with outside shock absorbers) Config. 1 of 2	8
FIT #5	Chevrolet '73 TO '87/'73 TO '92 4-door(GMC) (34" Straight, with outside shock absorbers) Config. 2 of 2	9
FIT #6	Ford '04 -14 F-150, 5.5',6' & 8' Beds-Requires Bracket Kit 30619	10
FIT #7	Ford '97 to '03 F-150 & F-250 8500 GVW and Under and '04 Heritage Series Body Style.	11
FIT #8	Ford F-150 & F-250 through '96/'97 F-250 over 8500 GVW, F-350 thru '97/'99 & newer F-250/F-350 & F-450 SD pick-ups	12
FIT #9	Dodge 2013 only 2500 w/o overload brackets.	13
FIT #10	Dodge '02 & '08 1500/'03 & newer 2500 w/o overload brackets.	14
FIT #11	Dodge '03 and newer 2500 & 3500	15
FIT #12	Dodge '94 to '01 1500/'94 to '02 2500/3500	16
FIT #13	Dodge through '93(Full size)	17
FIT #14	Toyota Tundra 2000 to 2006 (Standard cab long box only)	18
FIT #15	2007 and Newer Toyota Tundra 6.5' & 8' Beds	19
FIT #16	2004 & Up Nissan Titan-Crew cab/King cab, 6.5' to 8' foot beds	20

[FIT #1] Chevy and GM 2011 and Newer 2500 HD & 3500 HD Silverado and Sierra

CAUTION! Read pages 2-3 of these instructions before starting installation. Failure to do so could result in significant vehicle damage!

IMPORTANT NOTES FOR THIS INSTALLATION:

1. Find parallel rows of bed sill spot welds in bed of truck. No drilling should be done in the ~4" between parallel rows of spot welds where the bed sill sits.



CAUTION!

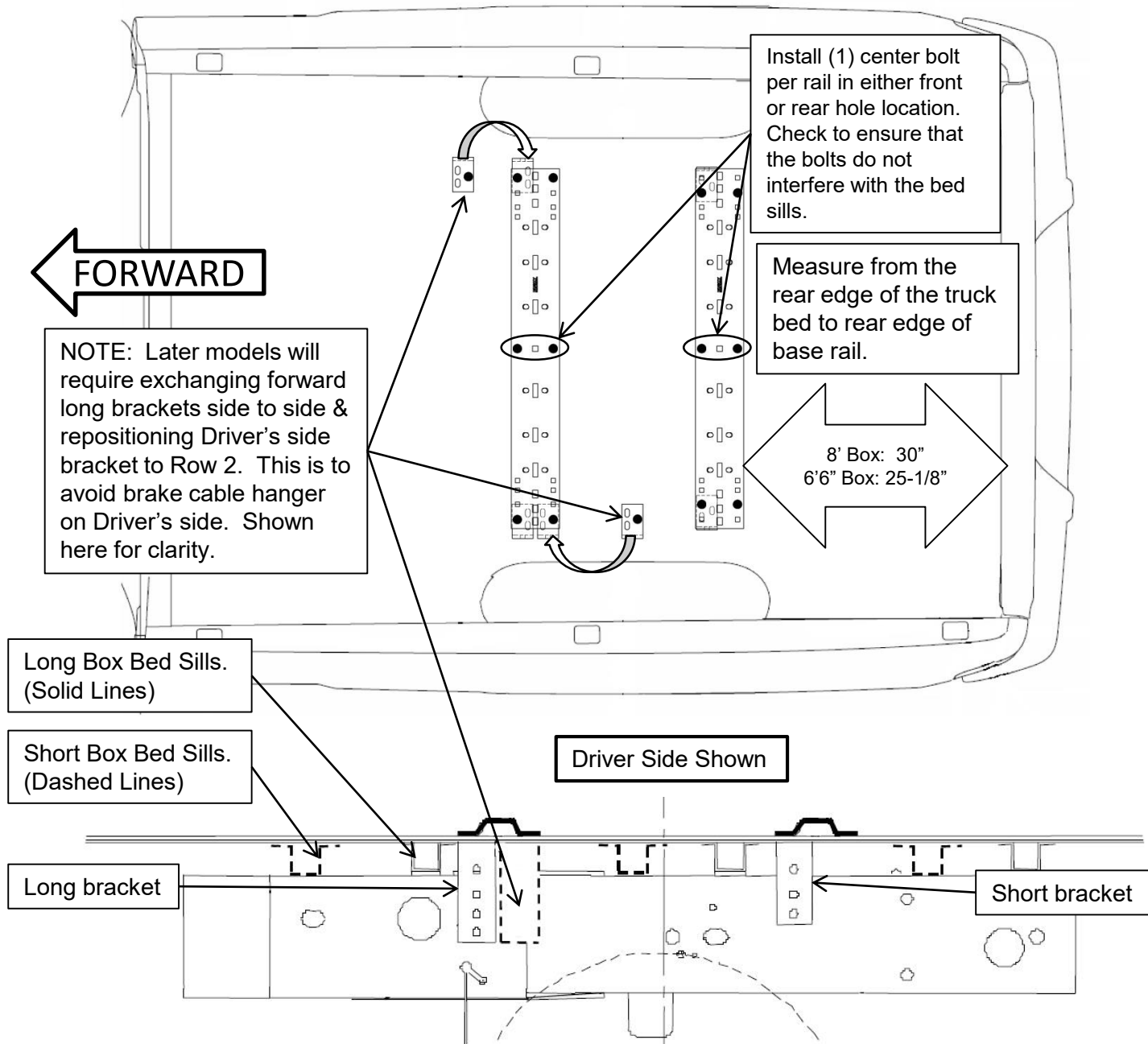
Check for obstructions before drilling. Failure to do so could result in damaged fuel or brake lines, structural members, etc. HUSKY TOWING PRODUCTS, Inc. does its best to communicate tow vehicle manufacturer changes; however, it is ultimately the responsibility of the installer to prevent damage due to installation.

[FIT #2] GM '99 Silverado, Sierra (not Sierra Classic) models Chevy & GM '00 to '10 Silverado, Sierra including HD models

CAUTION! Read pages 2-3 of these instructions before starting installation. Failure to do so could result in significant vehicle damage!

IMPORTANT NOTES FOR THIS INSTALLATION:

1. Find parallel rows of bed sill spot welds in bed of truck. No drilling should be done in the ~4" between parallel rows of spot welds where the bed sill sits.



CAUTION!

Check for obstructions before drilling. Failure to do so could result in damaged fuel or brake lines, structural members, etc. HUSKY TOWING PRODUCTS, Inc. does its best to communicate tow vehicle manufacturer changes; however, it is ultimately the responsibility of the installer to prevent damage due to installation.

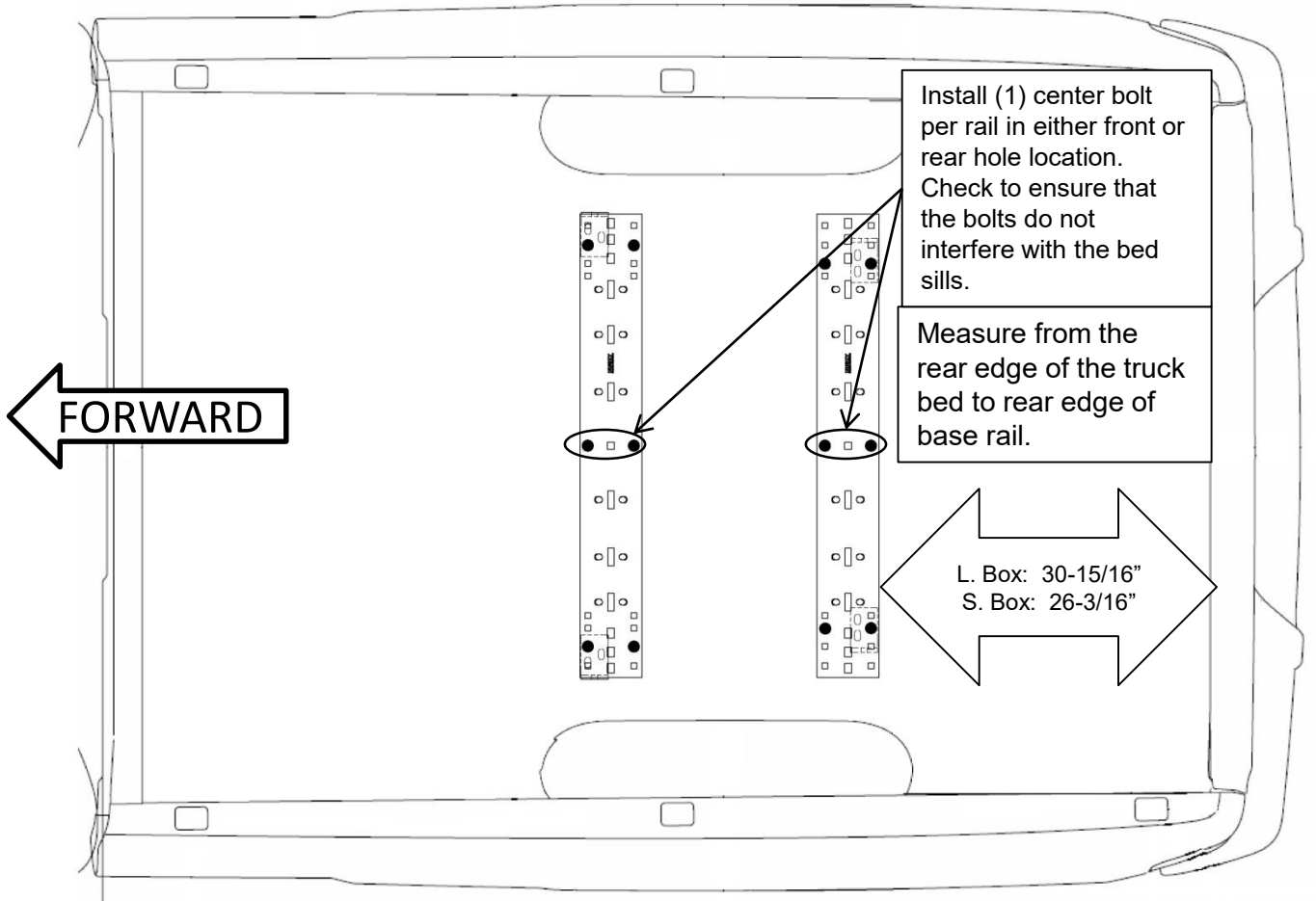
[FIT #3] Chevrolet/GMC 88-98 / 92-98 4-Door / '99 Silverado Sierra Classic (with tapered frame) (Red turn signals)

CAUTION!

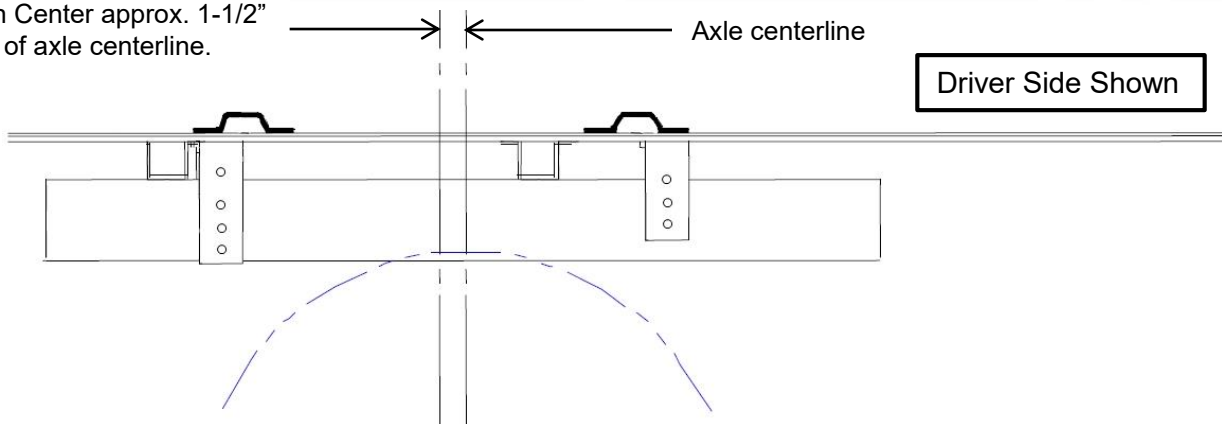
Read pages 2-3 of these instructions before starting installation. Failure to do so could result in significant vehicle damage!

IMPORTANT NOTES FOR THIS INSTALLATION:

1. Find parallel rows of bed sill spot welds in bed of truck. No drilling should be done in the ~4" between parallel rows of spot welds where the bed sill sits.



King Pin Center approx. 1-1/2" forward of axle centerline.



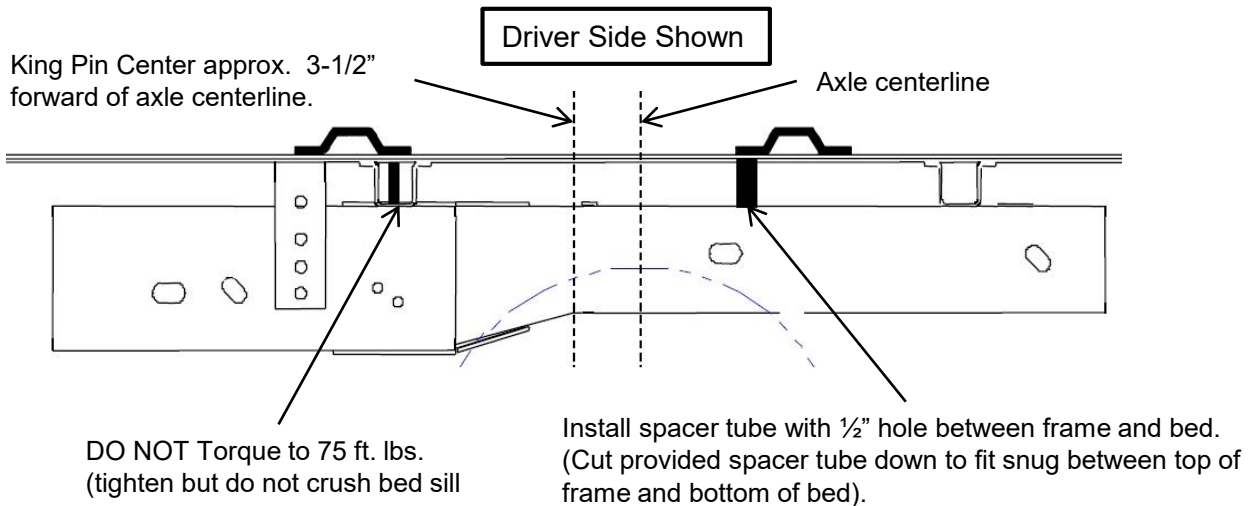
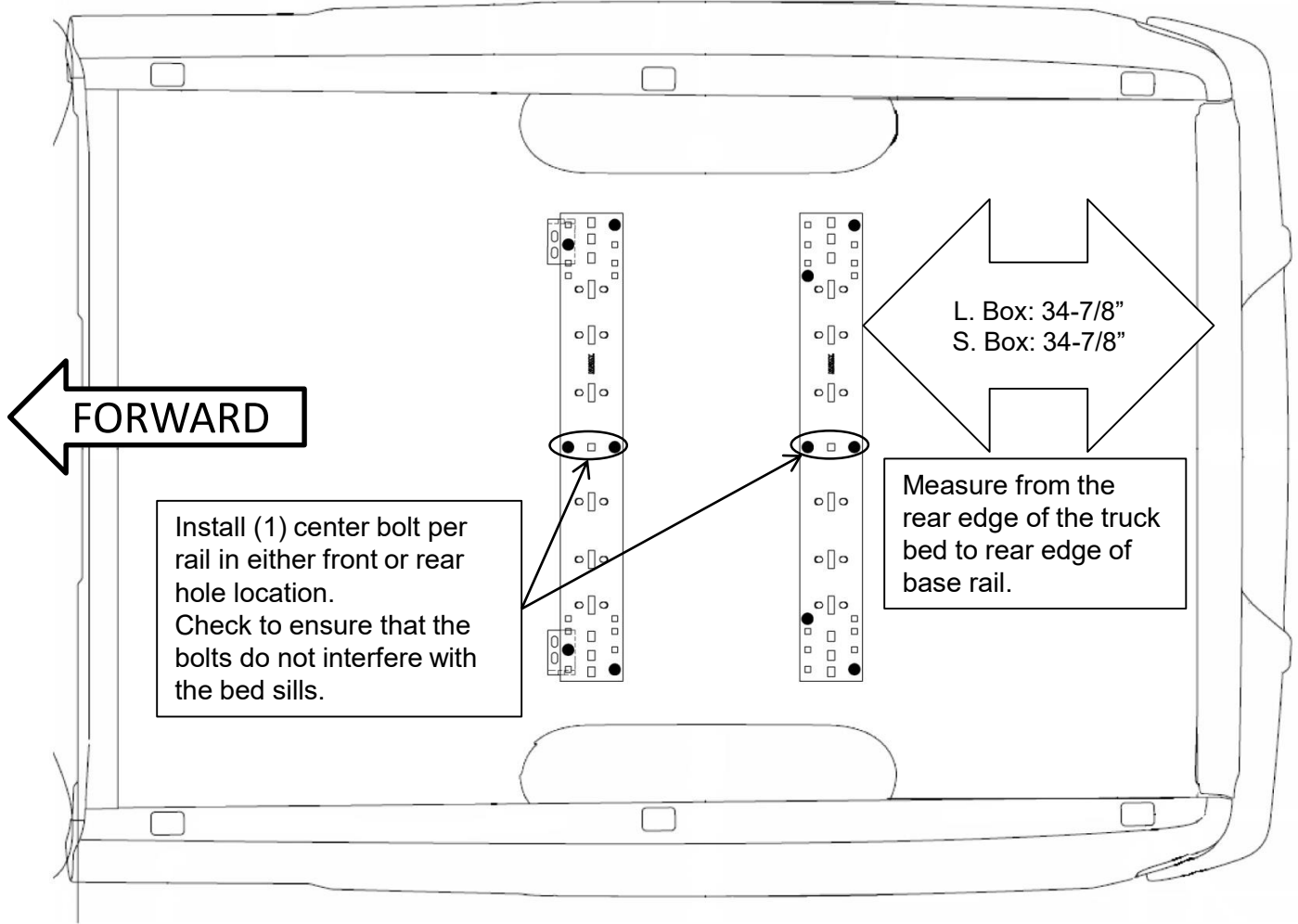
CAUTION!

Check for obstructions before drilling. Failure to do so could result in damaged fuel or brake lines, structural members, etc. HUSKY TOWING PRODUCTS, Inc. does its best to communicate tow vehicle manufacturer changes; however, it is ultimately the responsibility of the installer to prevent damage due to installation.

[FIT #4] Chevrolet '73 TO '87/'73 TO '92 4-door(GMC) (34" Straight, with outside shock absorbers) Configuration 1 of 2

CAUTION!

Read pages 2-3 of these instructions before starting installation. Failure to do so could result in significant vehicle damage!



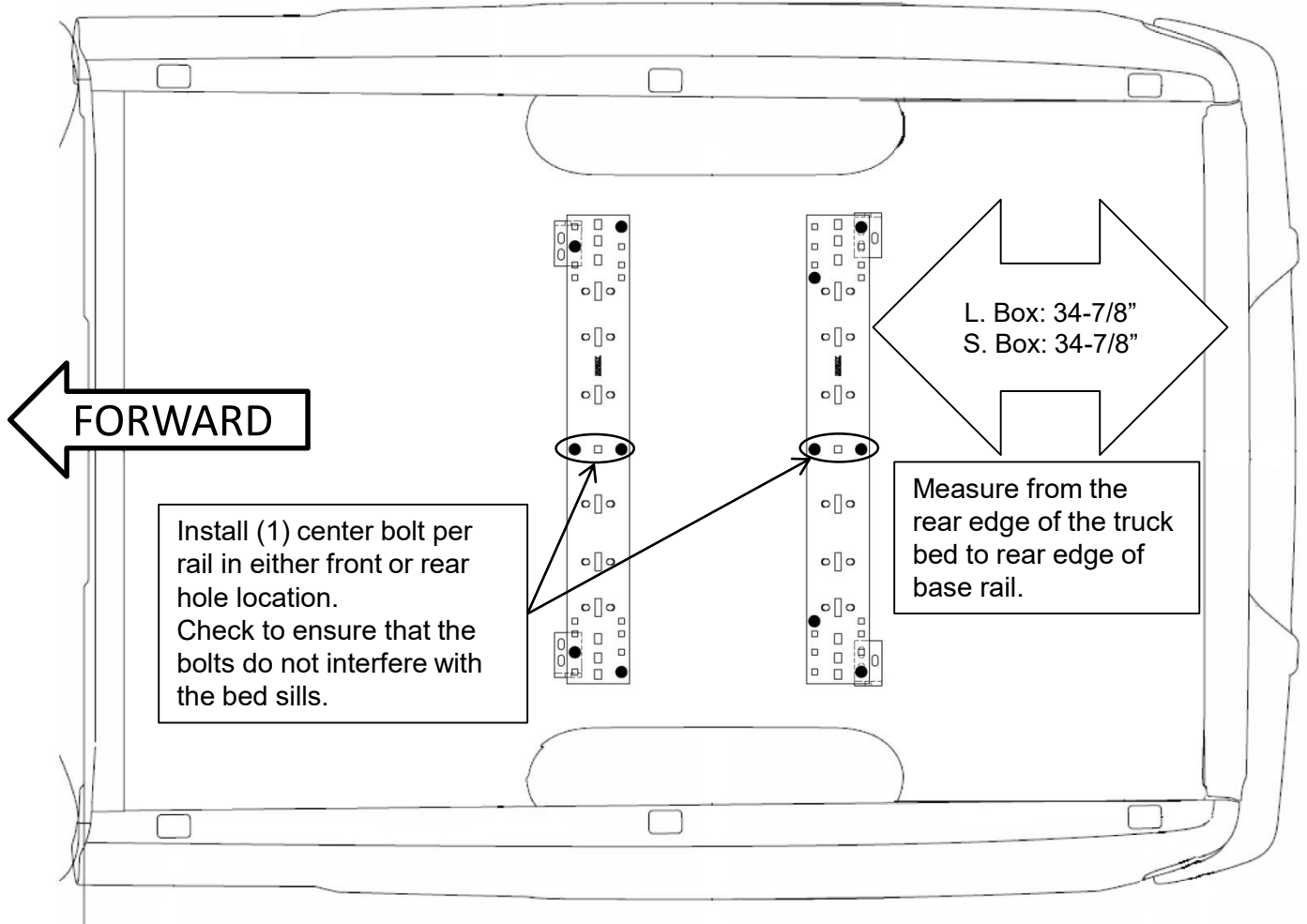
CAUTION!

Check for obstructions before drilling. Failure to do so could result in damaged fuel or brake lines, structural members, etc. HUSKY TOWING PRODUCTS, Inc. does its best to communicate tow vehicle manufacturer changes; however, it is ultimately the responsibility of the installer to prevent damage due to installation.

[FIT #5] Chevrolet '73 TO '87/'73 TO '92 4-door(GMC) (34" Straight, with outside shock absorbers) Configuration 2 of 2

CAUTION!

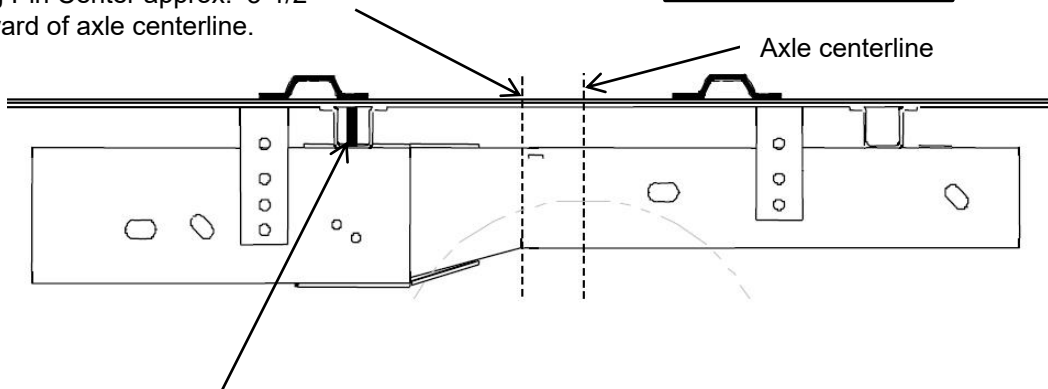
Read pages 2-3 of these instructions before starting installation. Failure to do so could result in significant vehicle damage!



King Pin Center approx. 3-1/2" forward of axle centerline.

Driver Side Shown

Axle centerline



DO NOT Torque to 75 ft. lbs.
(tighten but do not crush bed sill)

CAUTION!

Check for obstructions before drilling. Failure to do so could result in damaged fuel or brake lines, structural members, etc. HUSKY TOWING PRODUCTS, Inc. does its best to communicate tow vehicle manufacturer changes; however, it is ultimately the responsibility of the installer to prevent damage due to installation.

[FIT #6] Ford '04 & UP F-150, 6' & 8' Beds-Requires Bracket Kit 30619

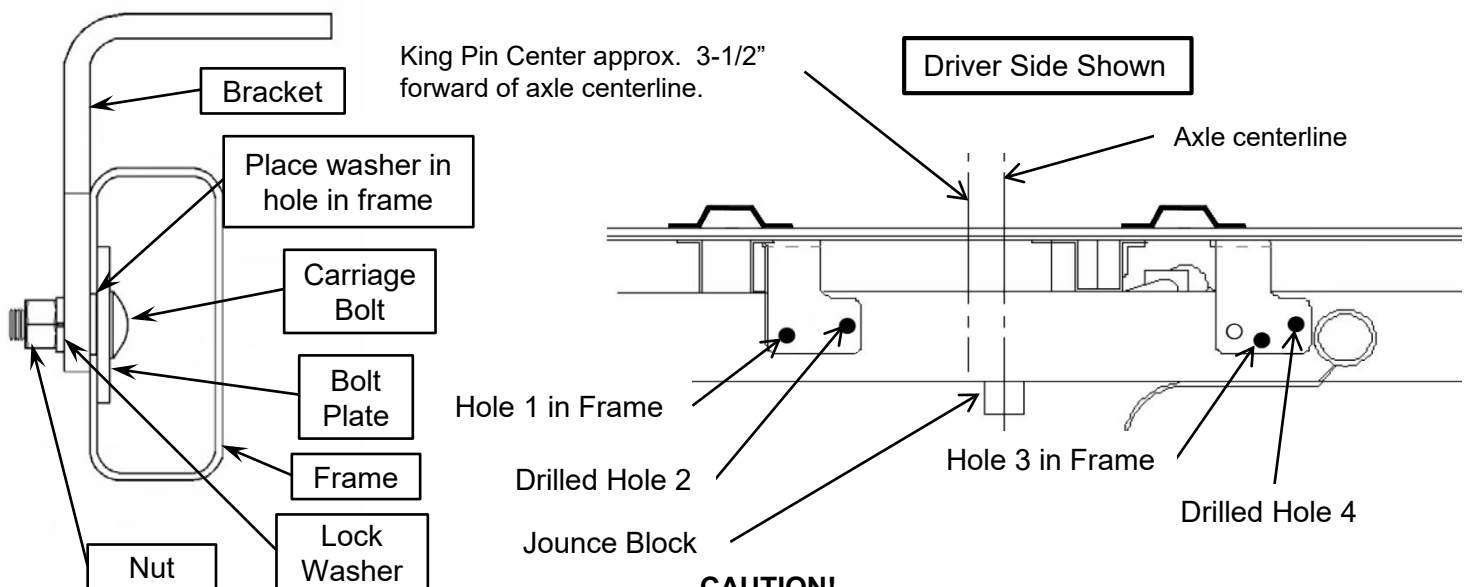
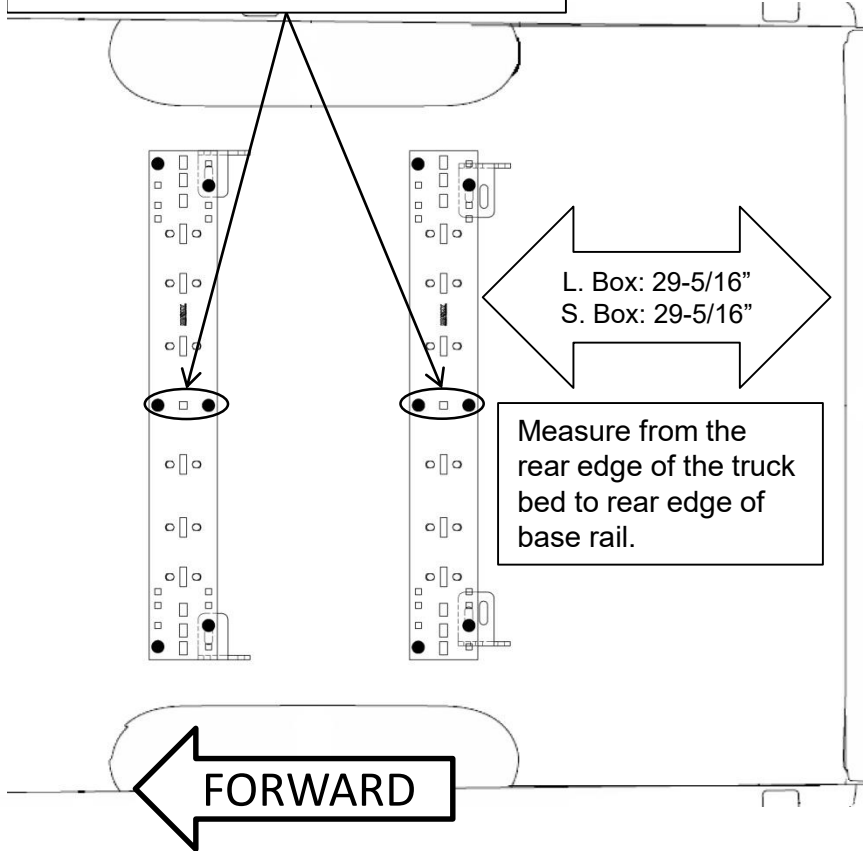
CAUTION!

Read pages 2-3 of these instructions before starting installation. Failure to do so could result in significant vehicle damage!

IMPORTANT NOTES FOR THIS INSTALLATION:

1. Do not drill through both walls of frame. Drill only through wall of frame to which bracket is mounted.
2. Find parallel rows of bed sill spot welds in bed of truck. No drilling should be done in the ~4" between parallel rows of spot welds where the bed sill sits.
3. Remove jounce block from bottom of frame on both sides.
4. The forward hole in each frame bracket should line up with an existing hole in the frame. A hole will need to be drilled in the frame at the rearward bracket holes.
5. Using pull wire, pull all bolts through hole in bottom of frame where the jounce block was removed. "Hole 1" will have carriage head bolt, 1" washer & bolt plate, "Hole 2 & 4" will have carriage head bolt and bolt plate, "Hole 3" will have carriage head bolt, 13/16" washer & bolt plate.
6. Replace the jounce block.

Install (1) center bolt per rail in either front or rear hole location. Check to ensure that the bolts do not interfere with the bed sills.



CAUTION!

Check for obstructions before drilling. Failure to do so could result in damaged fuel or brake lines, structural members, etc. HUSKY TOWING PRODUCTS, Inc. does its best to communicate tow vehicle manufacturer changes; however, it is ultimately the responsibility of the installer to prevent damage due to installation.

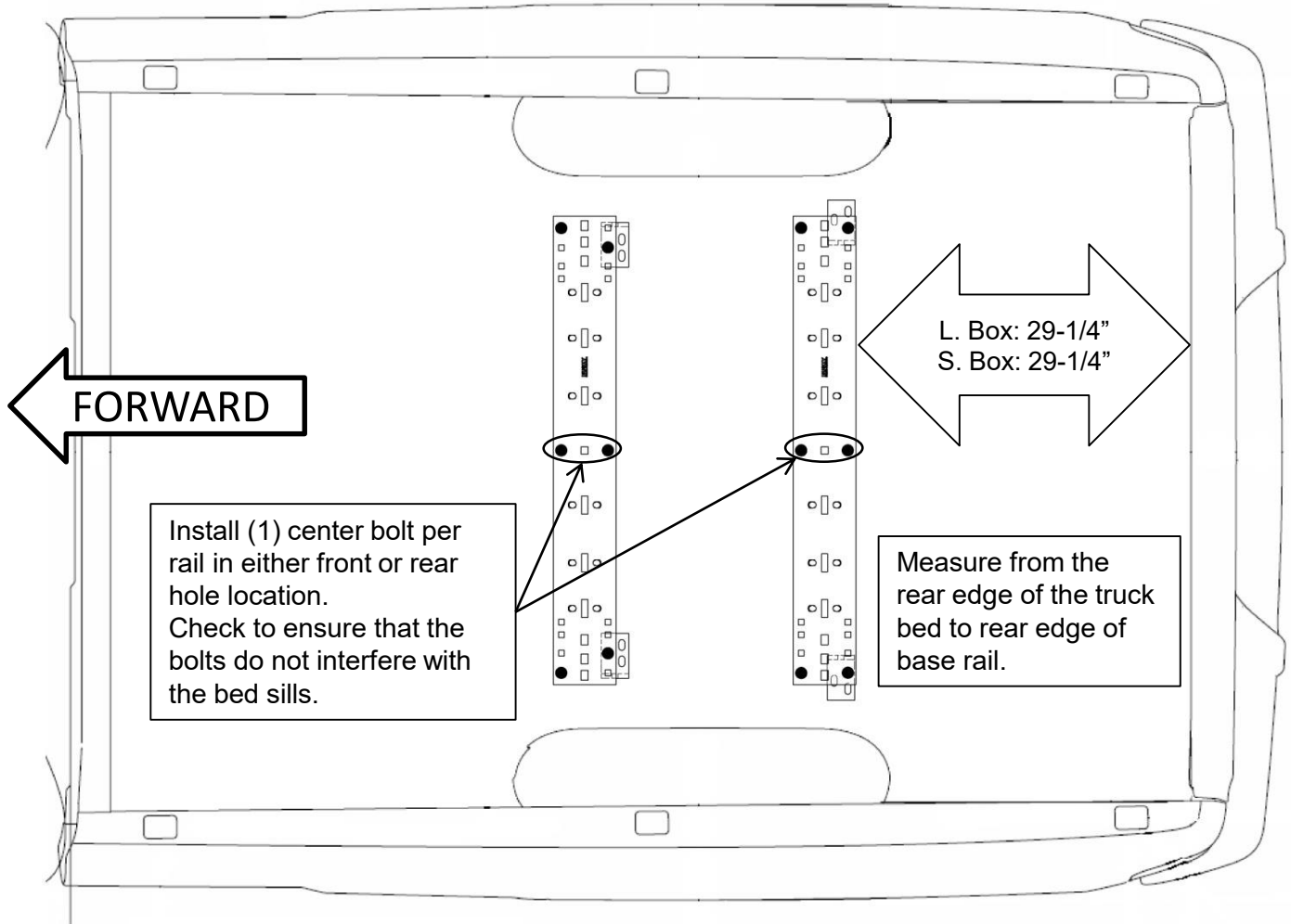
[FIT #7] Ford '97 to '03 F-150 & F-250 8500 GVW and Under and '04 Heritage Series Body Style.

CAUTION!

Read pages 2-3 of these instructions before starting installation. Failure to do so could result in significant vehicle damage!

IMPORTANT NOTES FOR THIS INSTALLATION:

1. Long and Short brackets on Driver's Side may need to be switched to avoid interference with exhaust hanger.
2. May need to move base rail location $\pm 1/2"$ to ensure frame brackets do not interfere with bed sills.

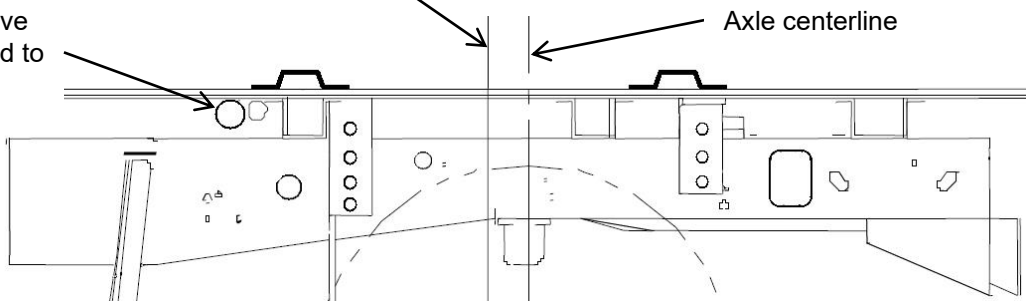


King Pin Center approx. 1-1/2" forward of axle centerline.

Driver Side Shown

May have to move system rear ward to avoid fuel lines.

Axle centerline



CAUTION!

Check for obstructions before drilling. Failure to do so could result in damaged fuel or brake lines, structural members, etc. HUSKY TOWING PRODUCTS, Inc. does its best to communicate tow vehicle manufacturer changes; however, it is ultimately the responsibility of the installer to prevent damage due to installation.

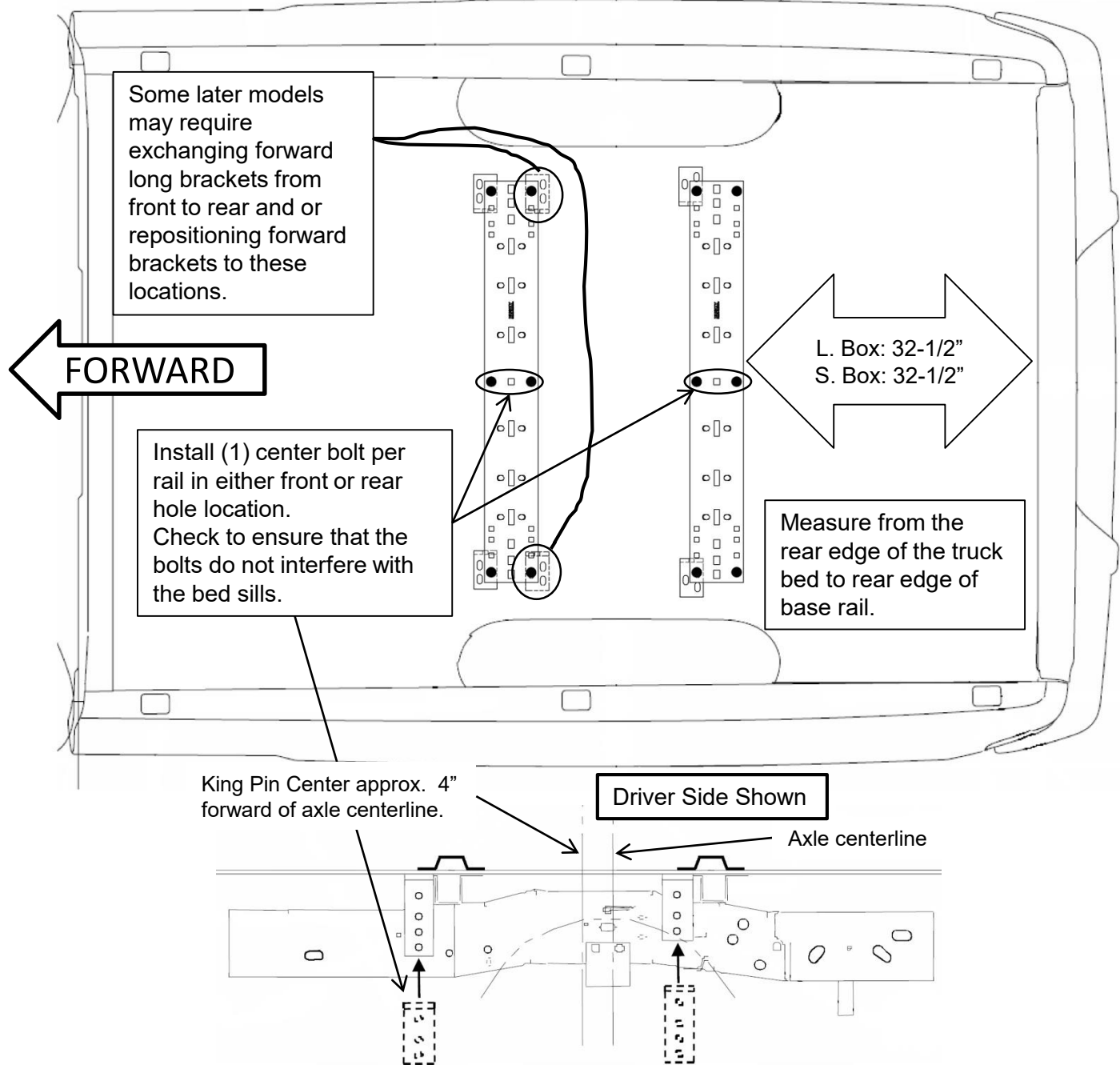
[FIT #8] Ford F-150 & F-250 through '96/'97 F-250 over 8500 GVW, F-350 thru '97/'99 & newer F-250/F-350 & F-450 SD pick-ups(Not cab on chassis)

CAUTION!

Read pages 2-3 of these instructions before starting installation. Failure to do so could result in significant vehicle damage!

IMPORTANT NOTES FOR THIS INSTALLATION:

1. On short bed vehicles, attach Driver's Side forward bracket on row 2 to avoid interference with fuel lines.
2. On vehicles with overload springs, switch position of long and short brackets.
3. May need to move base rail location $\pm 1/2"$ to ensure frame brackets do not interfere with bed sills.



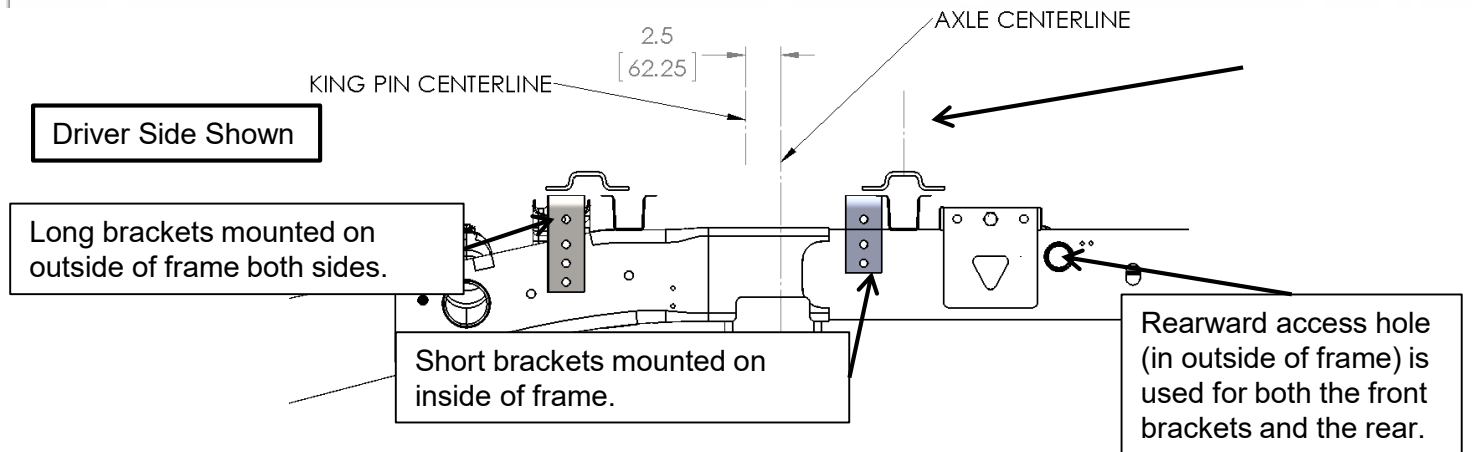
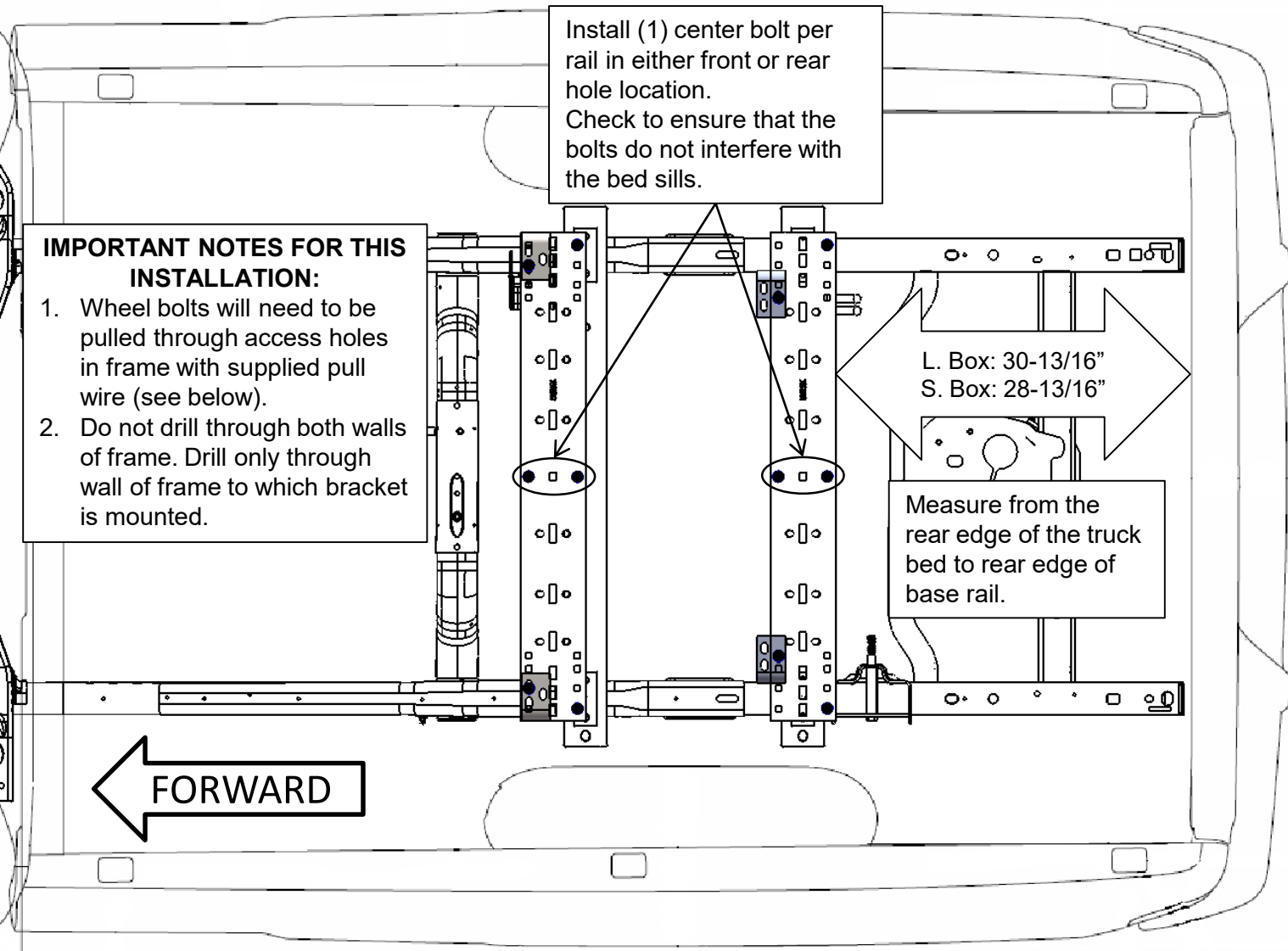
CAUTION!

Check for obstructions before drilling. Failure to do so could result in damaged fuel or brake lines, structural members, etc. HUSKY TOWING PRODUCTS, Inc. does its best to communicate tow vehicle manufacturer changes; however, it is ultimately the responsibility of the installer to prevent damage due to installation.

[FIT #9] Dodge 2013 only, 2500 w/o overload brackets.

CAUTION!

Read pages 2-3 of these instructions before starting installation. Failure to do so could result in significant vehicle damage!



CAUTION!

Check for obstructions before drilling. Failure to do so could result in damaged fuel or brake lines, structural members, etc. HUSKY TOWING PRODUCTS, Inc. does its best to communicate tow vehicle manufacturer changes; however, it is ultimately the responsibility of the installer to prevent damage due to installation.

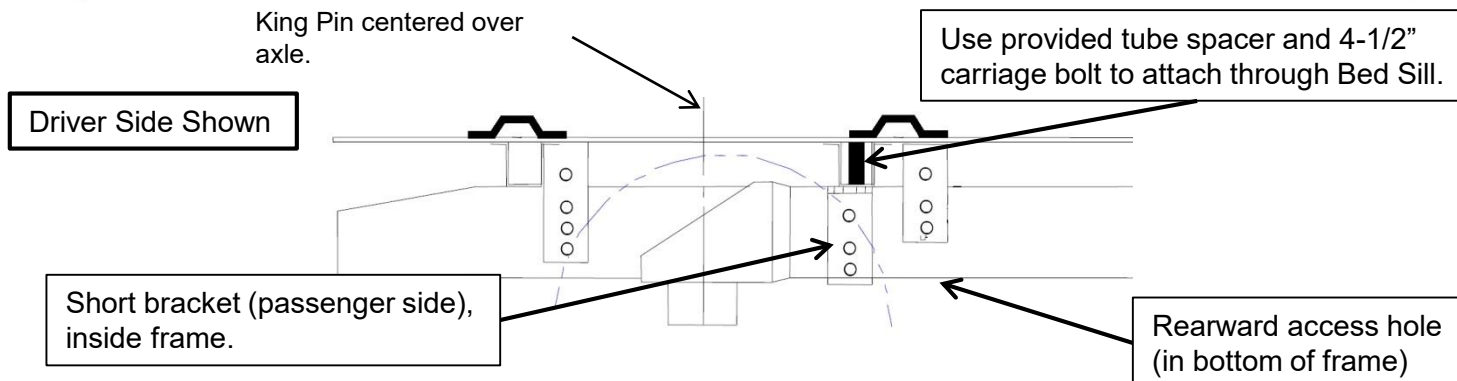
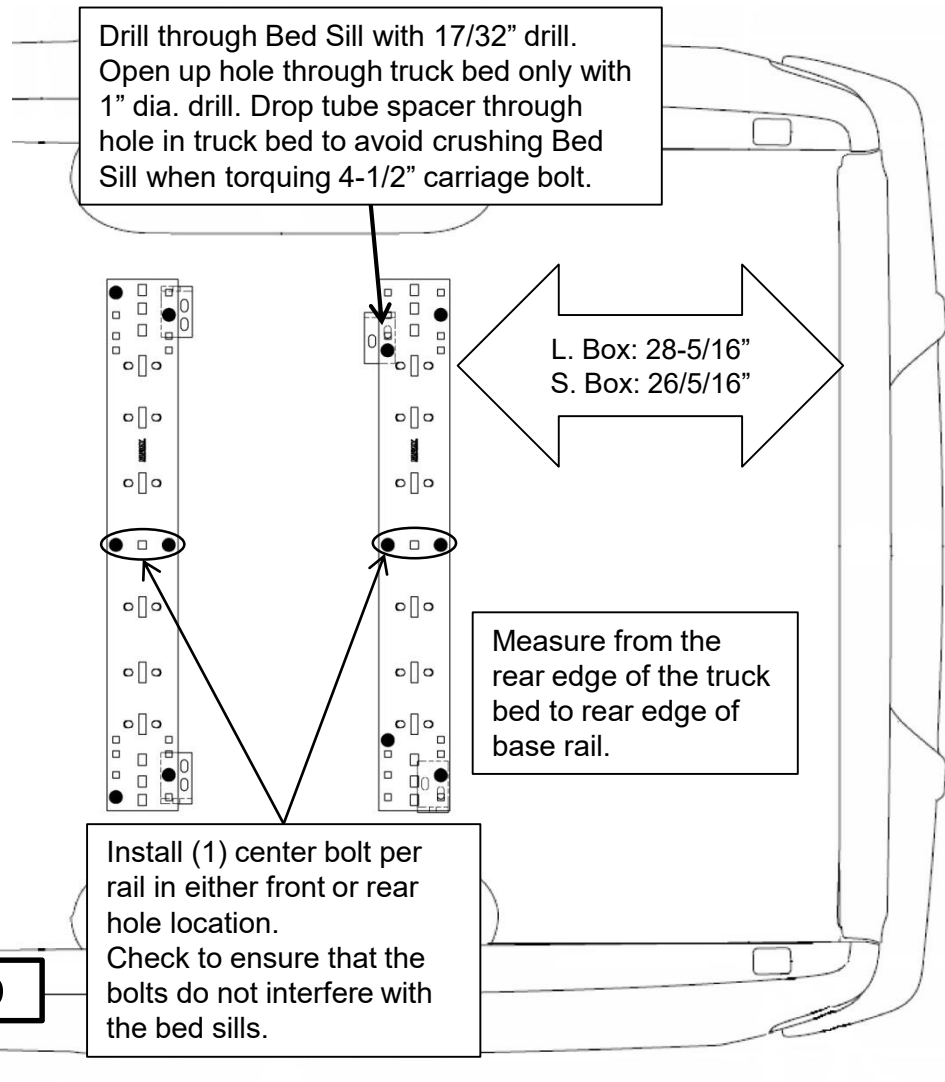
[FIT #10] Dodge '02 to '08 1500/'03 to '12 2500 w/o overload brackets.

CAUTION!

Read pages 2-3 of these instructions before starting installation. Failure to do so could result in significant vehicle damage!

IMPORTANT NOTES FOR THIS INSTALLATION:

1. Tube spacer and 4-1/2" carriage bolt used to attach through rearward Bed Sill.
2. Wheel bolts will need to be pulled through access holes in frame with supplied pull wire (see below).
3. Do not drill through both walls of frame. Drill only through wall of frame to which bracket is mounted.
4. It is very important that brackets in Row 2 are against rear side of Bed Sill as shown. Due to dimensional instability in Bed Sill placement with the Dodge truck, interference could result when drilling in Row 3. Observe caution note below and double check all areas prior to drilling.
5. To avoid drilling inside of frame, (Passenger Side Row 3) Optional Custom Bracket (30562) can be purchased from your dealer if needed. The use of this bracket allows for drilling outside the frame and avoids exhaust hanger.



CAUTION!

Check for obstructions before drilling. Failure to do so could result in damaged fuel or brake lines, structural members, etc. HUSKY TOWING PRODUCTS, Inc. does its best to communicate tow vehicle manufacturer changes; however, it is ultimately the responsibility of the installer to prevent damage due to installation.

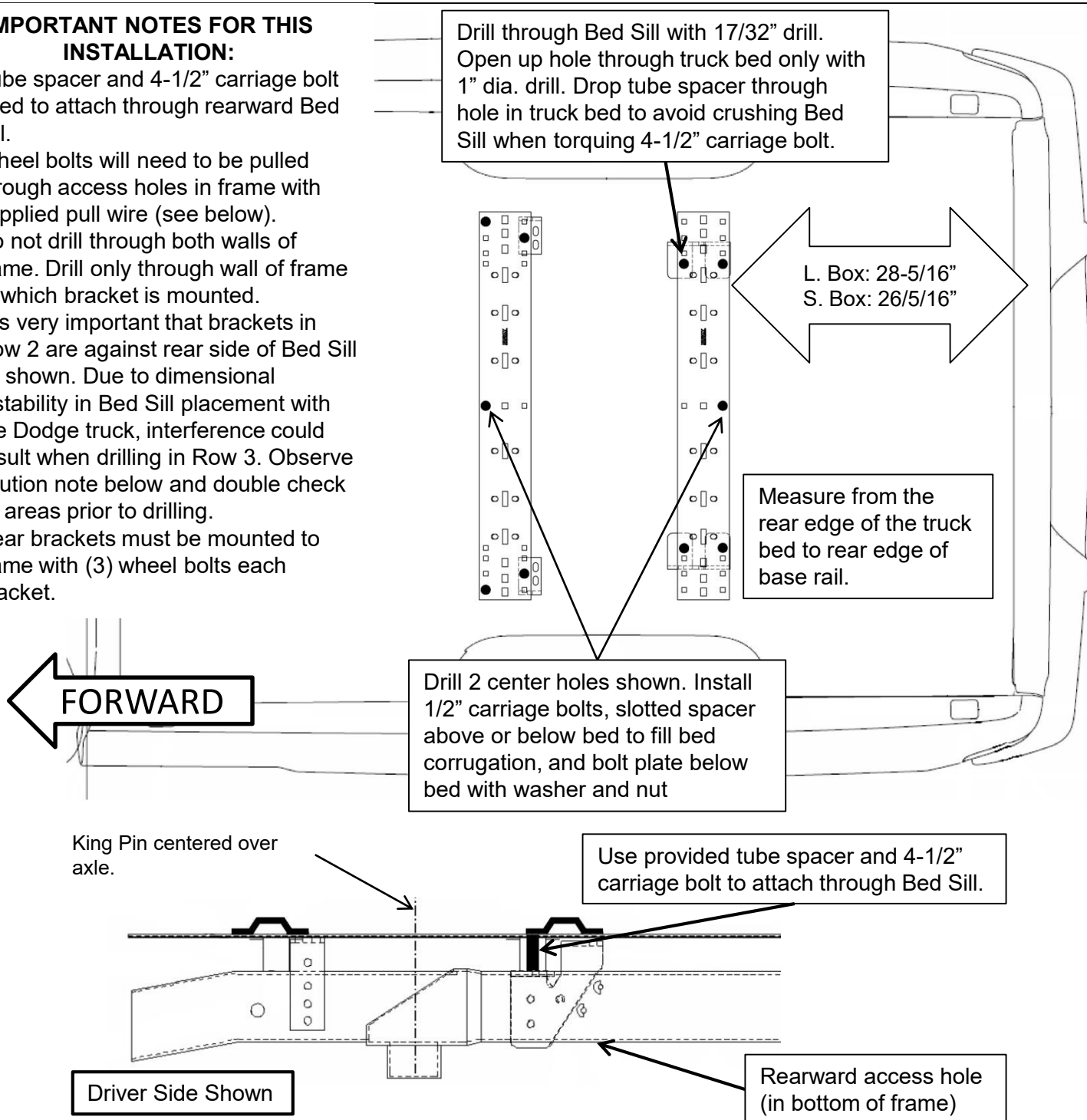
[FIT #11] Dodge '03 TO '12 2500 & 3500 (requires 30582 bracket kit)

CAUTION!

Read pages 2-3 of these instructions before starting installation. Failure to do so could result in significant vehicle damage!

IMPORTANT NOTES FOR THIS INSTALLATION:

1. Tube spacer and 4-1/2" carriage bolt used to attach through rearward Bed Sill.
2. Wheel bolts will need to be pulled through access holes in frame with supplied pull wire (see below).
3. Do not drill through both walls of frame. Drill only through wall of frame to which bracket is mounted.
4. It is very important that brackets in Row 2 are against rear side of Bed Sill as shown. Due to dimensional instability in Bed Sill placement with the Dodge truck, interference could result when drilling in Row 3. Observe caution note below and double check all areas prior to drilling.
5. Rear brackets must be mounted to frame with (3) wheel bolts each bracket.



CAUTION!

Check for obstructions before drilling. Failure to do so could result in damaged fuel or brake lines, structural members, etc. HUSKY TOWING PRODUCTS, Inc. does its best to communicate tow vehicle manufacturer changes; however, it is ultimately the responsibility of the installer to prevent damage due to installation.

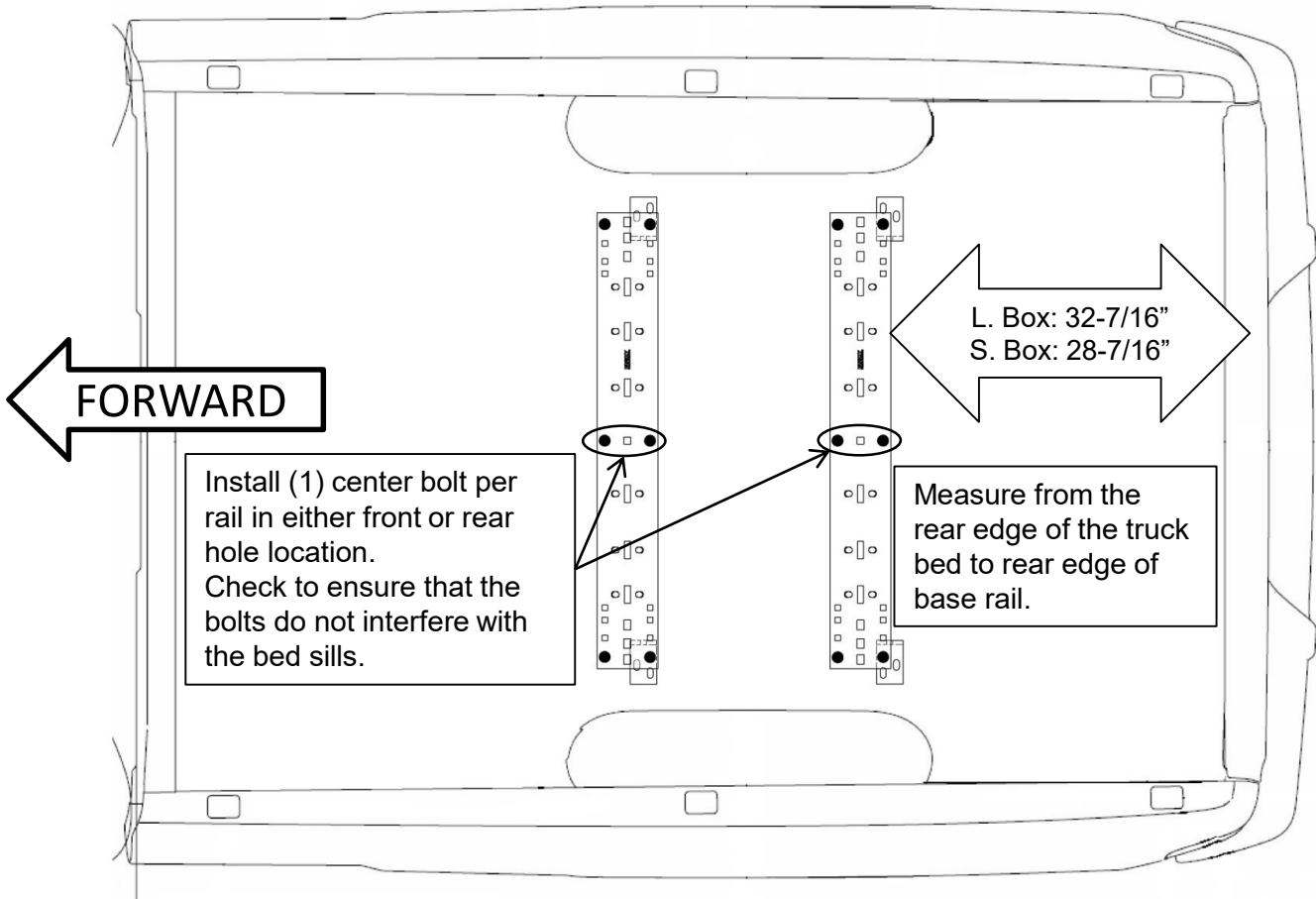
[FIT #12] Dodge '94 to '01 1500/'94 to '02 2500/3500 (Full size, short & long box)

CAUTION!

Read pages 2-3 of these instructions before starting installation. Failure to do so could result in significant vehicle damage!

IMPORTANT NOTES FOR THIS INSTALLATION:

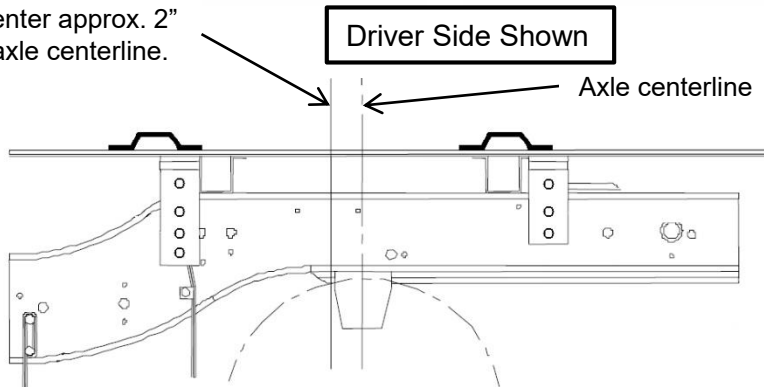
1. It is very important that brackets in Row 2 are against forward side of bed sill as shown below. Due to dimensional instability in bed sill placement with the Dodge truck, interference could result when drilling in Rows 3 or 4. May need to move base rail location $\pm 1/2$ " to ensure frame brackets do not interfere with bed sills.



King Pin Center approx. 2" forward of axle centerline.

Driver Side Shown

Axle centerline



CAUTION!

Check for obstructions before drilling. Failure to do so could result in damaged fuel or brake lines, structural members, etc. HUSKY TOWING PRODUCTS, Inc. does its best to communicate tow vehicle manufacturer changes; however, it is ultimately the responsibility of the installer to prevent damage due to installation.

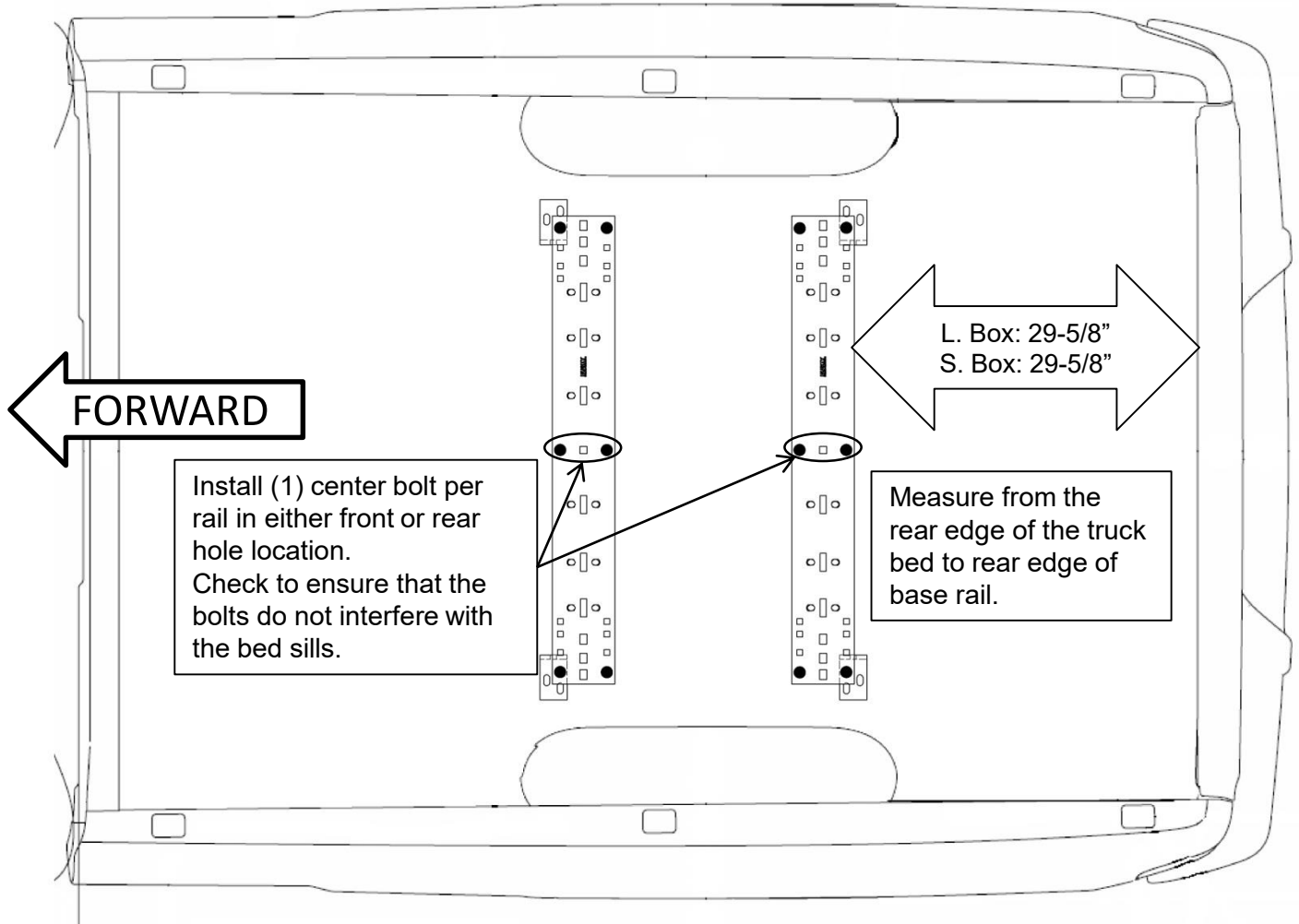
[FIT #13] Dodge through '93(Full size)

CAUTION!

Read pages 2-3 of these instructions before starting installation. Failure to do so could result in significant vehicle damage!

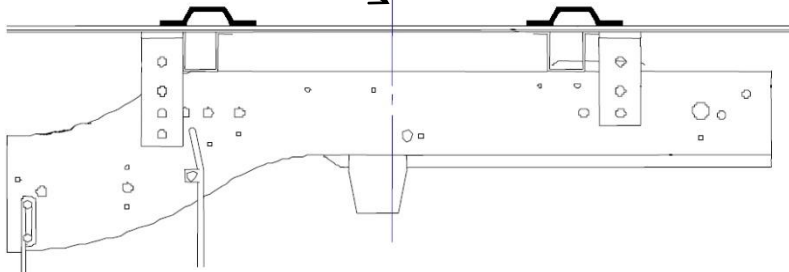
IMPORTANT NOTES FOR THIS INSTALLATION:

1. May need to move base rail location $\pm 1/2$ " to ensure frame brackets do not interfere with bed sills.



King Pin Center over axle centerline.

Driver Side Shown



CAUTION!

Check for obstructions before drilling. Failure to do so could result in damaged fuel or brake lines, structural members, etc. HUSKY TOWING PRODUCTS, Inc. does its best to communicate tow vehicle manufacturer changes; however, it is ultimately the responsibility of the installer to prevent damage due to installation.

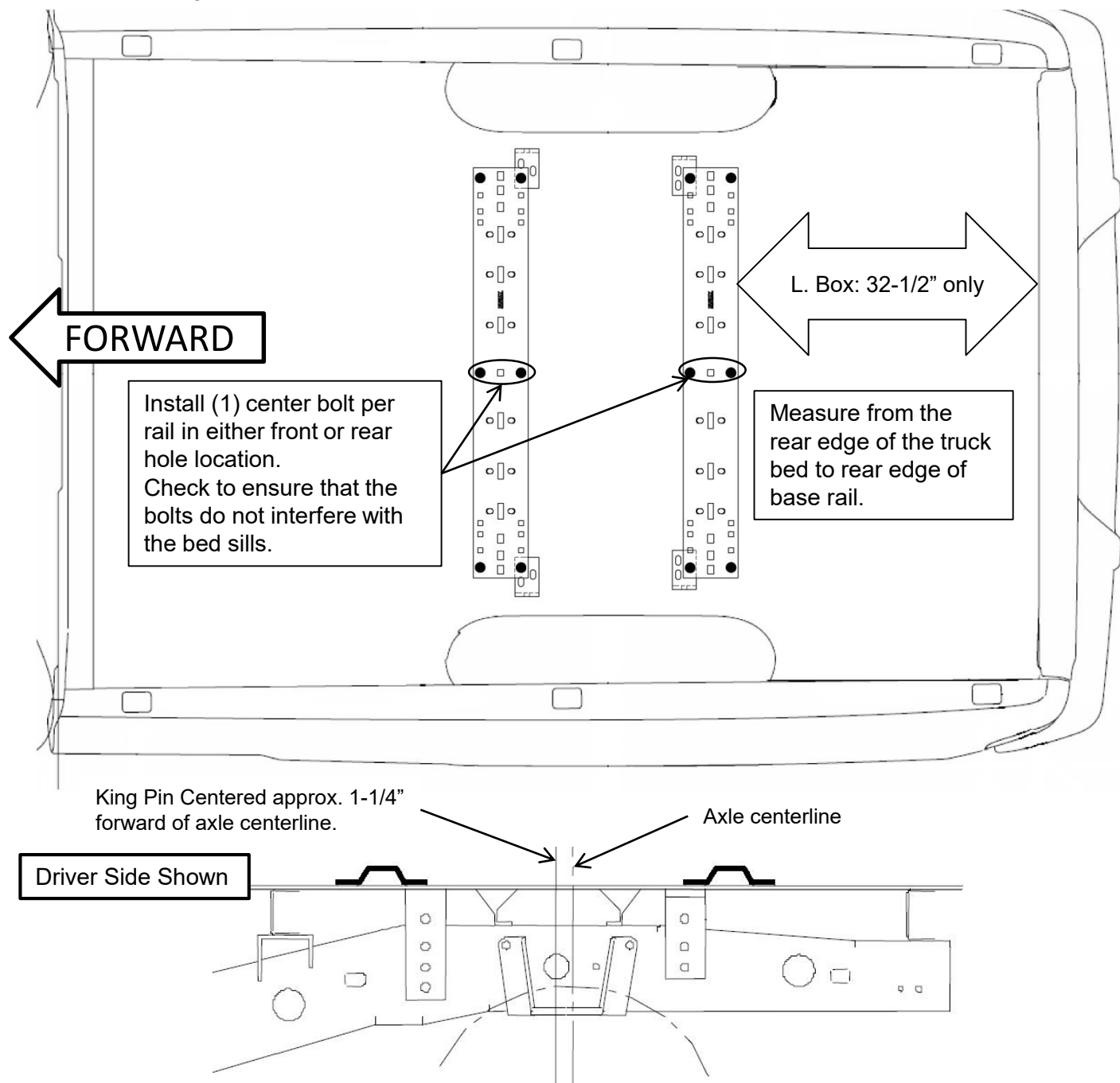
[FIT #14] Toyota Tundra 2000 to 2006 (Standard cab long box only)

CAUTION!

Read pages 2-3 of these instructions before starting installation. Failure to do so could result in significant vehicle damage!

IMPORTANT NOTES FOR THIS INSTALLATION:

1. For Toyota Tundra application, part #30597 spacer kit required. Stack (1) 3/16" & (1) 5/16" thick slotted spacer to avoid crushing of truck bed.



CAUTION!

Check for obstructions before drilling. Failure to do so could result in damaged fuel or brake lines, structural members, etc. HUSKY TOWING PRODUCTS, Inc. does its best to communicate tow vehicle manufacturer changes; however, it is ultimately the responsibility of the installer to prevent damage due to installation.

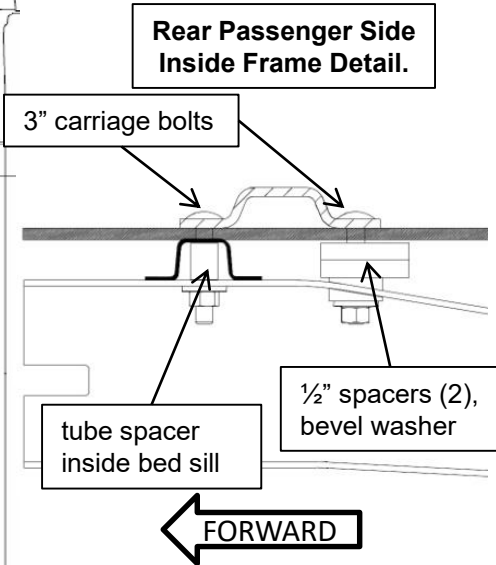
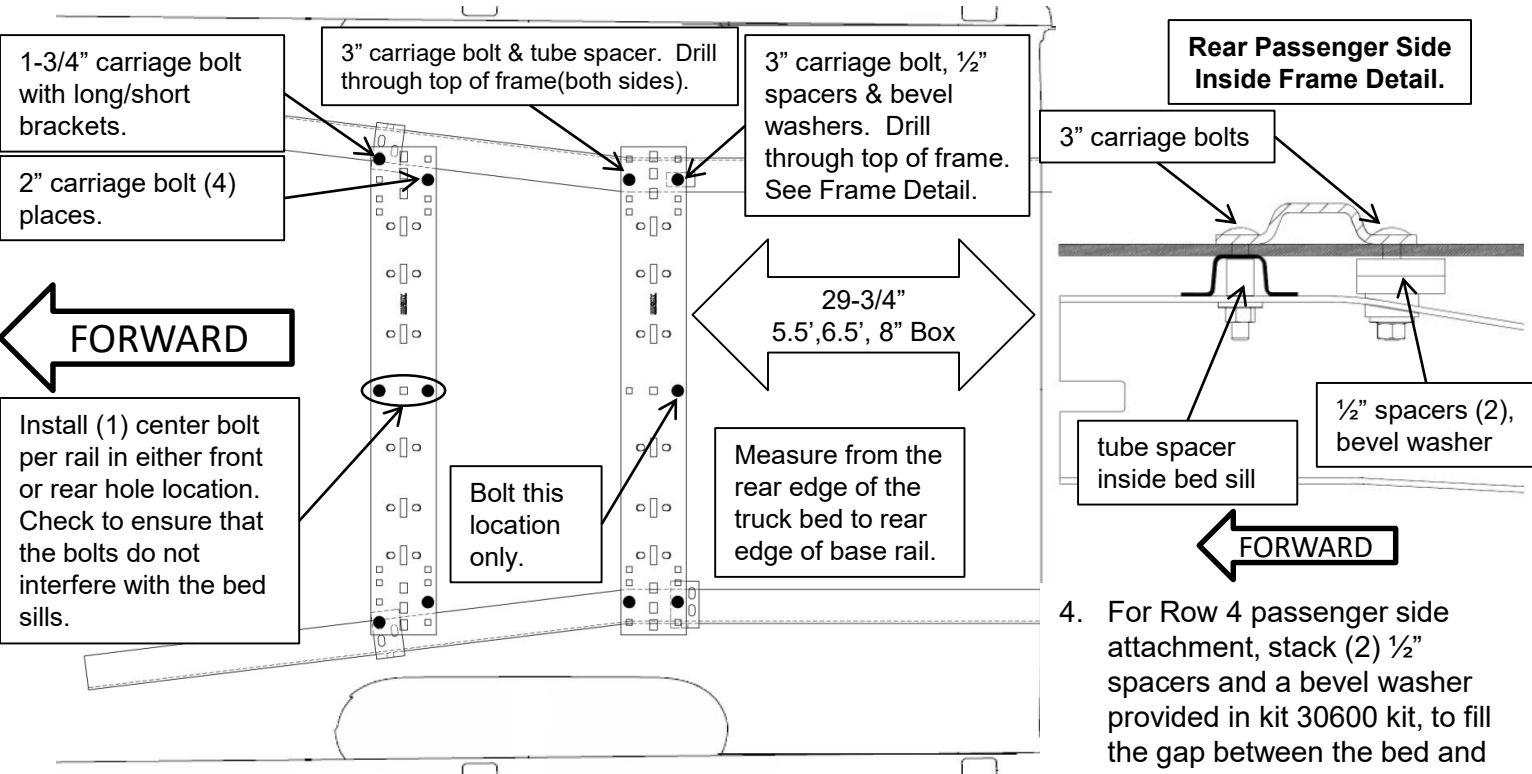
[FIT #15] 2007 and Newer Toyota Tundra 6.5' & 8' Beds. Requires Service Kit 30600

CAUTION!

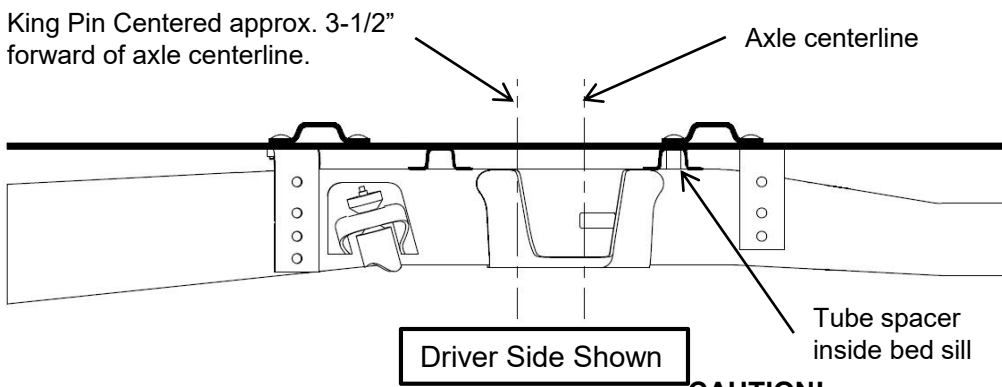
Read pages 2-3 of these instructions before starting installation. Failure to do so could result in significant vehicle damage!

IMPORTANT NOTES FOR THIS INSTALLATION:

1. Use the 30600 service kit together with the 31622 mounting kit. Read p. 1-3 of the 31622 instruction for general information.
2. The mounting holes for Row 3 go through the inside of the bed sill. Make sure it lines up correctly. Drill through the bed and the top of the frame on both sides. For Row 4 passenger side attachment, drill through the bed and the top of the frame as well.
3. The rear rail on the passenger side is secured directly to the frame with 3" carriage bolts provided in the 30600 kit. For Row 3 attachment, a tube spacer should be placed inside the bed sill on top of the frame and under the bottom of the bed. Line up the spacer with the drilled hole before inserting the carriage bolt. Repeat for both sides. See Frame Detail view.



4. For Row 4 passenger side attachment, stack (2) 1/2" spacers and a bevel washer provided in kit 30600 kit, to fill the gap between the bed and the frame. Use another bevel washer, conical toothed washer, and hex nut to fasten the 3" carriage bolt in place. See Frame Detail View.
5. Install the long brackets on the front rail and the short bracket on the rear rail driver side using the 1-3/4" carriage bolts provided in 30600 kit. All other attachments to the bed use 2" carriage bolts from 31622 kit.



CAUTION!

Check for obstructions before drilling. Failure to do so could result in damaged fuel or brake lines, structural members, etc. HUSKY TOWING PRODUCTS, Inc. does its best to communicate tow vehicle manufacturer changes; however, it is ultimately the responsibility of the installer to prevent damage due to installation.

[FIT #16] 2004 & Up Nissan Titan-Crew cab/King cab, 6.5' to 8' foot beds- requires kit 31727

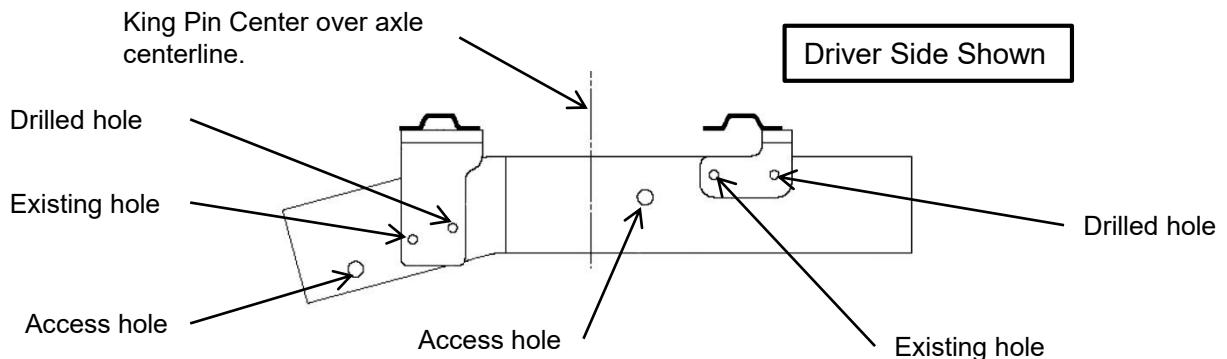
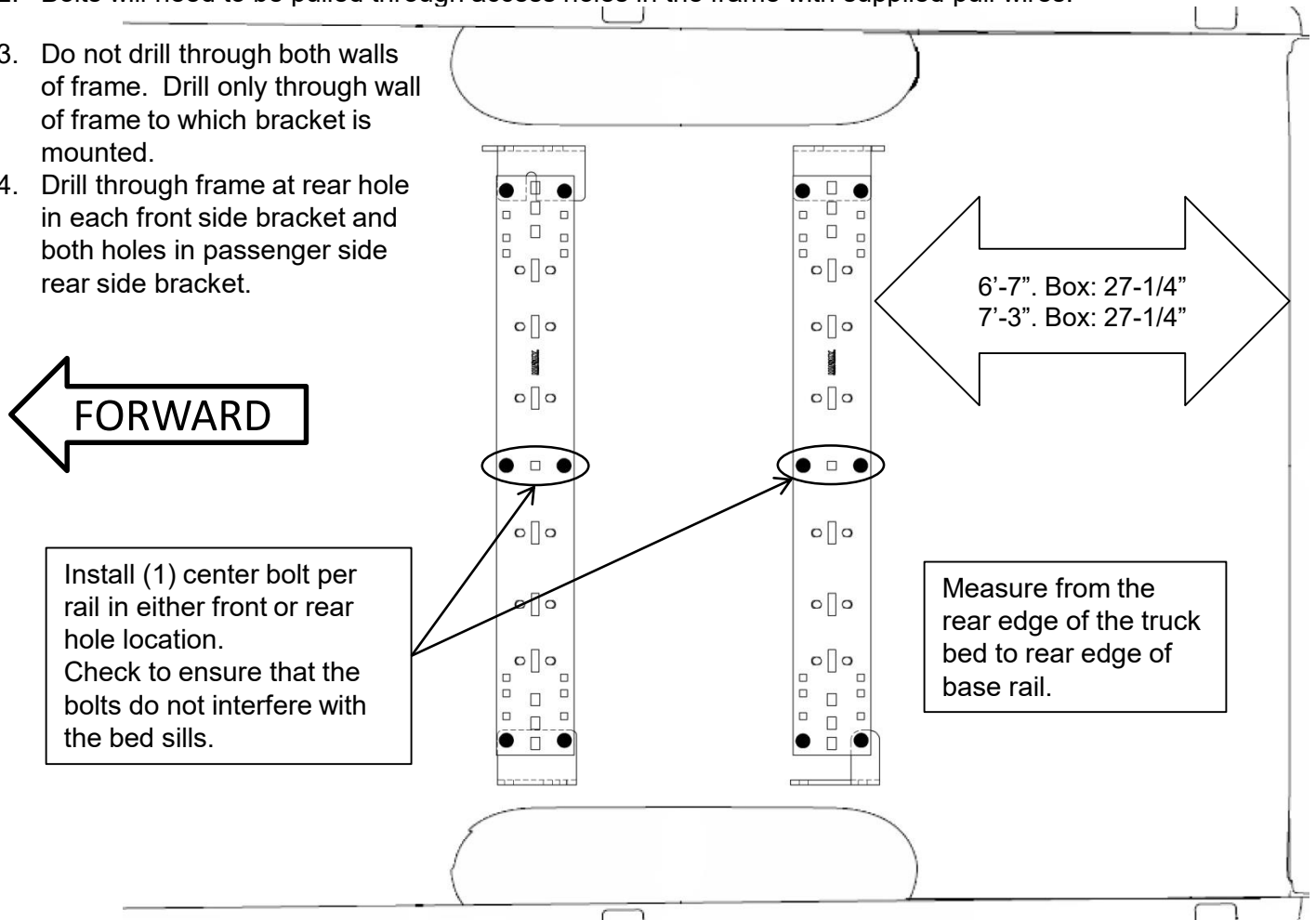
CAUTION!

Read pages 2-3 of these instructions before starting installation. Failure to do so could result in significant vehicle damage!

IMPORTANT NOTES FOR THIS INSTALLATION:

1. Use this kit with 31622 mounting kit.
2. Bolts will need to be pulled through access holes in the frame with supplied pull wires.

3. Do not drill through both walls of frame. Drill only through wall of frame to which bracket is mounted.
4. Drill through frame at rear hole in each front side bracket and both holes in passenger side rear side bracket.



CAUTION!

Check for obstructions before drilling. Failure to do so could result in damaged fuel or brake lines, structural members, etc. HUSKY TOWING PRODUCTS, Inc. does its best to communicate tow vehicle manufacturer changes; however, it is ultimately the responsibility of the installer to prevent damage due to installation.

Warranty Terms:

5 Year Limited Warranty:

This warranty applies solely to Husky 5th Wheel Installation Kit manufactured by LKQ Specialty Products Group for Husky Towing Products.

Husky Towing Products and LKQ Specialty Products Group make no guarantees or warranties for products not manufactured by LKQ Specialty Products Group. Such products are covered solely under any applicable warranty of the manufacturer. It is always recommended that the operating instructions and guarantee instructions provided by the manufacturer are followed.

LKQ Specialty Products Group warrants its products to be free from manufacturing and material defects to the original purchaser for the length of warranty stated above from the date of retail purchase. If any products are found to have a manufacturing or material defect, the product will be replaced or repaired at the option of Husky Towing Products and LKQ Specialty Products Group with proof of purchase by the original purchaser. The original purchaser shall pay all transportation and shipping costs associated with the return of the defective product and the defective product shall become the property of LKQ Specialty Products Group.

The Warranty applies to LKQ Specialty Products Group products used for individual and recreational purposes. Commercial usage of the LKQ Specialty Products Group products limits the warranty to 90-days from date of purchase.

The Warranty applies only to LKQ Specialty Products Group products which are found to be defective in manufacturing or material. This warranty does not apply to normal wear and tear of the finish placed on LKQ Specialty Products Group products.

Husky Towing Products and LKQ Specialty Products Group are not responsible for any labor costs incurred for removal or replacement of the defective product.

Husky Towing Products and LKQ Specialty Products Group are not responsible for repair or replacement of any product under the limited warranty where the product was improperly installed, misapplied, altered, abused, neglected, overloaded, misused or damaged as a result of an accident, including any use of the product not in accordance with all product operating and safety instructions.

Without limiting the generality of the foregoing, Husky Towing Products and LKQ Specialty Products Group shall under no circumstances be liable for any incidental or consequential loss or damage whatsoever arising out of, or in any way relating to any such breach of warranty or claimed defect in, or non-performance of the products. Some states do not allow the exclusion or limitation of incidental or consequential damages, so the above exclusion or limitation may not apply to you.

This limited warranty gives you specific legal rights, and you may also have other rights that vary from state to state.

If you're looking for quality trailer hitches & towing, visit our website.