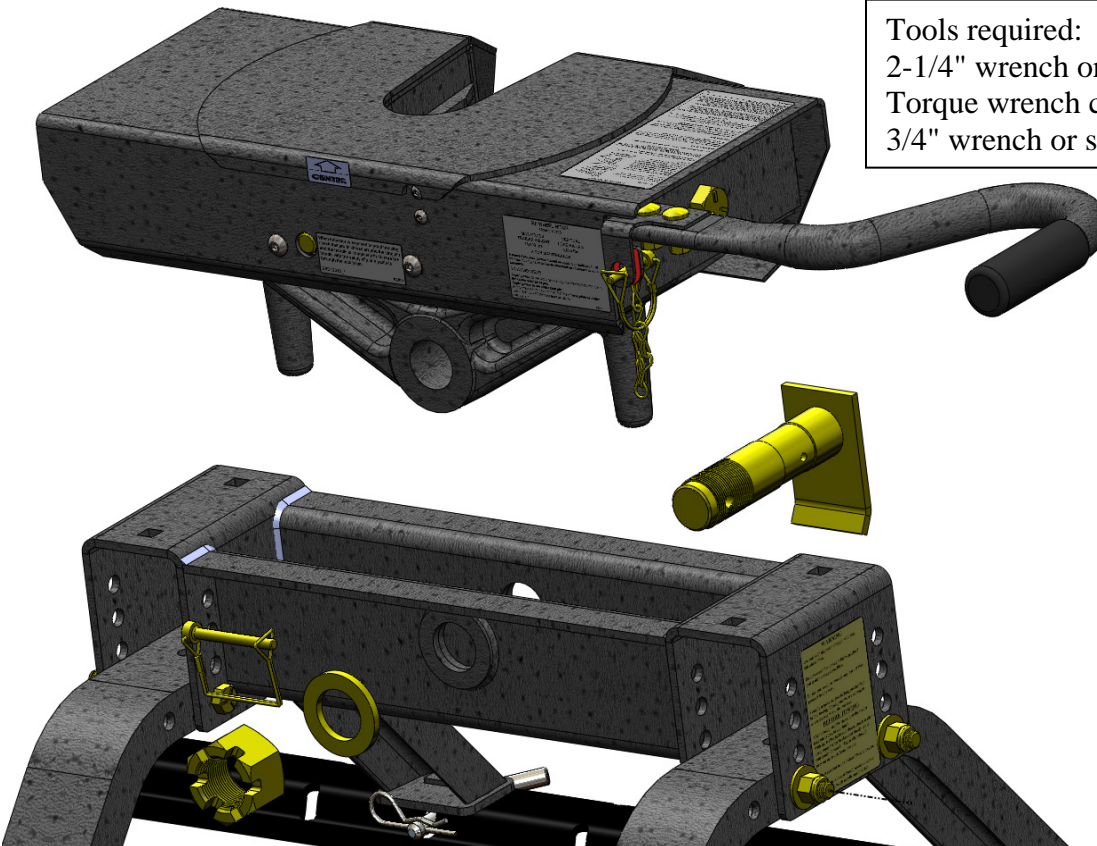




Assembly, Installation, Operation and Maintenance Instructions  
**16K W & 26K W 5<sup>th</sup> Wheel Hitch**  
**Part # 31577/31580**  
**Cross Member Replacement Instructions**

<b>Dealer / Installer:</b>	<b>Provide a copy of these Instructions to the end user of this product. These Instructions provide important operating and safety information for proper usage of this product. Demonstrate the proper use of the product with the end user. Have the end user demonstrate that they understand the proper use of the product.</b>
<b>End User:</b>	<b>Read and follow all instructions included in this manual. Ask your Dealer / Installer for assistance if you do not understand the proper use of the product. Never remove any decals from the product.</b>

1. Remove pivot pin assembly and set aside along with the 5th wheel head for re-use.
2. Refer to the instructions contained in the hardware bag for cross member replacement, then come back to these instructions for continuation of re-assembly.
3. Place 5th wheel head into new cross member, make sure you have oriented in correct direction.
4. Install pivot pin from forward side of cross member making sure the angled part of the plate is facing downward.
5. Install spacer washer (Only for 16K W).
6. Thread castle nut onto pivot pin and tighten until all the pivot pin is drawn into the cross member completely.
7. Determine if hole in threaded end of pivot pin aligns with one of the slots on the castle nut. If so, then insert safety pin and engage safety loop until it slips over the end of the safety pin. If the hole in the pivot pin does not line up with a slot in the castle nut then either further tighten the nut or back it off to the closest slot in the nut and insert safety pin.



Tools required:  
2-1/4" wrench or socket  
Torque wrench capable of 150 lbs. ft. torque.  
3/4" wrench or socket with ratchet