



**PN: 5826**

## **CHEVY SILVERADO FRONT MUD GUARD - INSTALLATION INSTRUCTIONS**

***Please read instructions thoroughly before installation.***

### **Tools Required**

- TX 15 Torx wrench

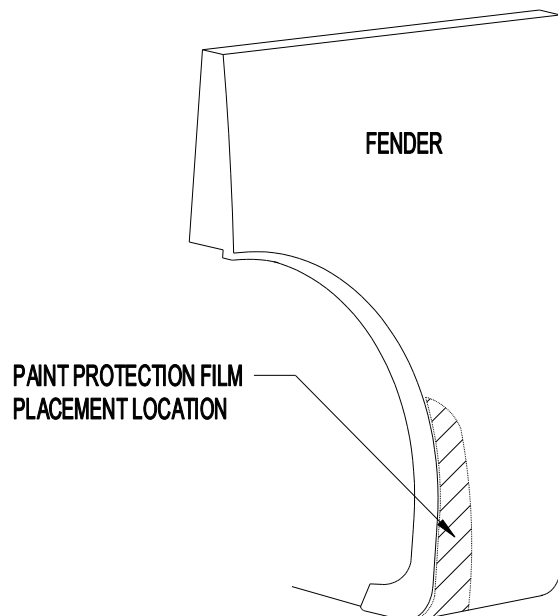
### **Package Contents**

- Driver & passenger side front mud guards
- Paint Protection Film (1 set)
- Instruction sheet

## **PAINT PROTECTION FILM - INSTALLATION**

***NOTE: The Paint Protection Film is a precut template of film used to protect the mud guard mounting surfaces of your fenders against wear. The templates (left and right side) can be removed from the backing liner by folding the liner at the center cut of the template, separating the film sides and peeling the film templates from the backing liner.***

1. Position mud guard on fender to indicate placement location of paint protection film.
2. Clean the placement area of fender with a clean cotton cloth and a petroleum distillate based cleaner such as DuPont Prep-Sol Brand Solvent Cleaner or 3M Brand Adhesive Cleaner and dry.
3. Mix a wetting solution of 1 pint of water with 4 drops of liquid dishwashing detergent.
4. Mark correct position of film by placing mud guard against fender.
5. Remove protection film from liner and flood adhesive side of film with wetting solution (use a spray bottle or sponge).
6. Thoroughly wet film placement location of fender with wetting solution.
7. Position the adhesive side of film on fender and flood with wetting solution.
8. Check location of film with mud guard and reposition as necessary.
9. Using a sponge, squeegee any air bubbles and wrinkles from film.
10. Allow film to dry before installing mud guard.

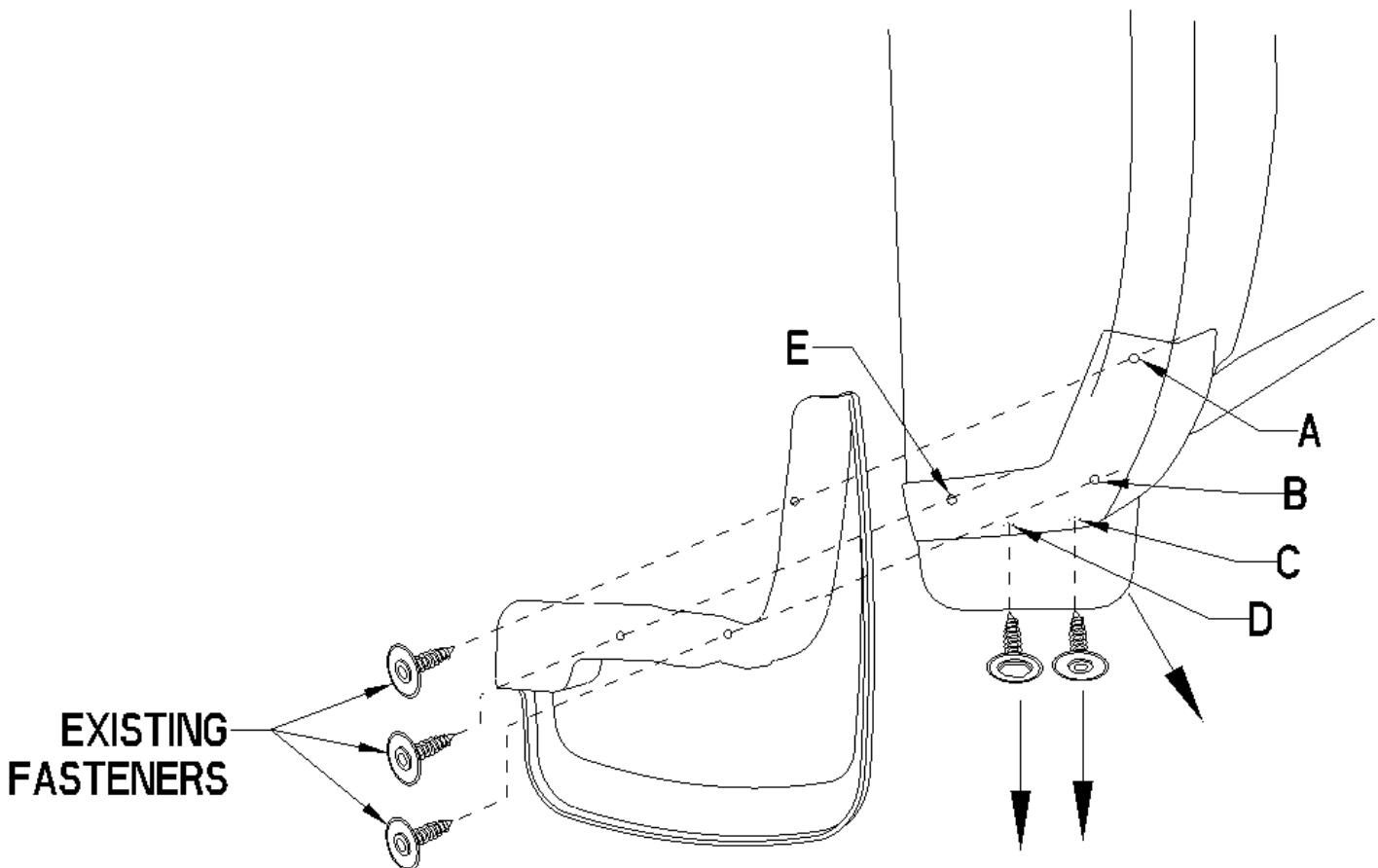


**MUD GUARD INSTALLATION**

---

**NOTE:** Turn front wheels left or right to allow clearance for mud guard installation. It may also be necessary to remove the wheels before mud guard installation.

1. Remove the existing fasteners from locations A and B. Do not discard.
  2. Remove the existing fasteners from locations C and D from the bottom side of the small mud guard.
  3. Remove and discard the small factory mud guard and fastener C. Reinstall fastener D.
  4. Remove the existing fastener from location E that was under the small mud guard. Do not discard.
  5. Attach mud guard with existing fasteners at locations A, B, and E.
  6. Check mud guard fit and alignment before final tightening.
- 



## CHEVY SILVERADO REAR MUD GUARD - INSTALLATION INSTRUCTIONS

**Please read instructions thoroughly before installation.**

### Tools Required

- TX 15 Torx wrench

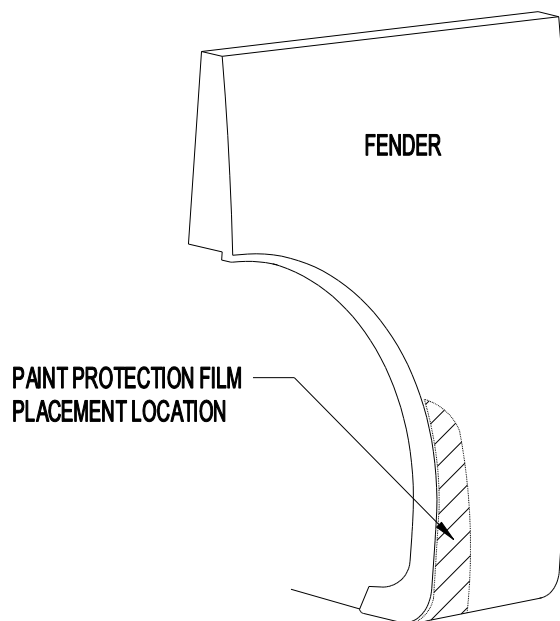
### Package Contents

- Driver & passenger side rear mud guards
- Spring Clip (Qty 2 )
- Paint Protection Film (1 set)
- Instruction sheet

### **PAINT PROTECTION FILM - INSTALLATION**

**NOTE: The Paint Protection Film is a precut template of film used to protect the mud guard mounting surfaces of your fenders against wear. The templates (left and right side) can be removed from the backing liner by folding the liner at the center cut of the template, separating the film sides and peeling the film templates from the backing liner.**

1. Position mud guard on fender to indicate placement location of paint protection film.
2. Clean the placement area of fender with a clean cotton cloth and a petroleum distillate based cleaner such as DuPont Prep-Sol Brand Solvent Cleaner or 3M Brand Adhesive Cleaner and dry.
3. Mix a wetting solution of 1 pint of water with 4 drops of liquid dishwashing detergent.
4. Mark correct position of film by placing mud guard against fender.
5. Remove protection film from liner and flood adhesive side of film with wetting solution (use a spray bottle or sponge).
6. Thoroughly wet film placement location of fender with wetting solution.
7. Position the adhesive side of film on fender and flood with wetting solution.
8. Check location of film with mud guard and reposition as necessary.
9. Using a sponge, squeegee any air bubbles and wrinkles from film.
10. Allow film to dry before installing mud guard.



**MUD GUARD INSTALLATION**

**NOTE:** Turn the front wheels all the way to the left or right for mud guard installation. However, it may be necessary to remove the wheels depending on the tools being used for installation.

1. Remove the existing fasteners from locations A and B.
2. Peel red backing from the 3M adhesive strip on the mud guard
3. Carefully align mud guard; starting at the bottom of the fender working your way up applying pressure to set the adhesive.
4. Install existing fasteners at locations A and B.
5. Install the spring clip between the indicator marks near the top of the mud guard. See Figure 1.
6. Check mud guard fit and alignment before final tightening.

