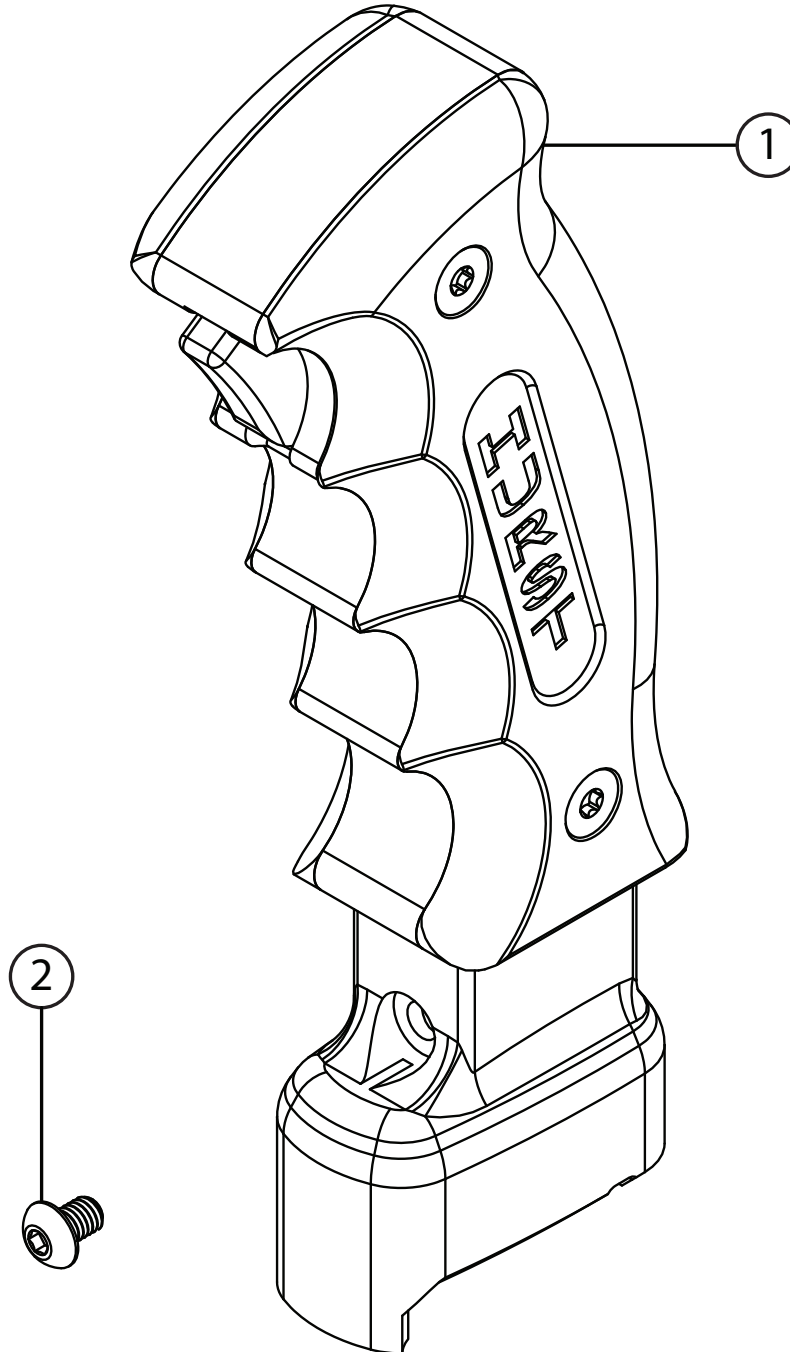




Installation Instructions for
5380438
AT PISTOL GRIP HANDLE
2010-2015 CHEVROLET CAMARO

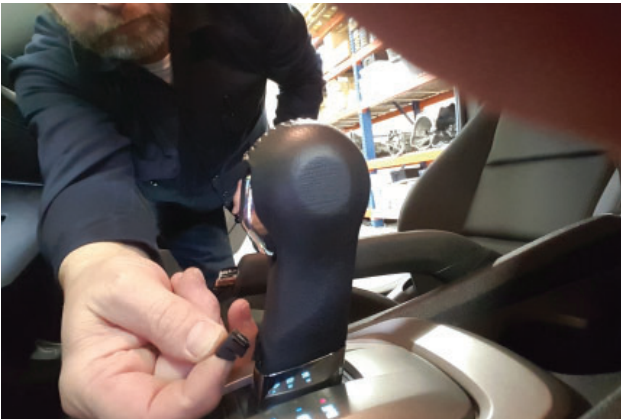


ITEM	PART NO.	DESCRIPTION	QTY.
1	5384038	Assembled Shifter Handle	1
N/A	5384038BA	Hardware Pack includes:	1
2	3401448	M4 x 6MM BTN HD SOC Screw	1



1. Ensure your product includes parts shown above.

NOTE: For ease of access, set ignition to "ON" as you complete the following installation step.



2. Remove screw cover from front of factory shifter.



3. Remove screw from front of shifter handle then remove handle.



4. Install assembled shifter handle (1).



5. Apply loctite to **screw (2)** then install it into front of shifter handle.



Congratulations, the installation of your Hurst Pistol Grip Shifter Handle is now complete!

