



Installation Instructions SHIFTER COVER KIT

Fits: Hurst Quarter Stick & Pistol Grip Shifters w/Front Cable Exit

Catalog# 1300055

WORK SAFELY! For maximum safety, perform this installation on a clean, level surface and with the engine turned off. Place blocks or wedges in front of and behind both rear wheels to prevent movement in either direction.

CAUTION: To avoid any possibility of bodily injury or damage to vehicle, do not attempt installation until you are confident that the vehicle is safely secured and will not move.

Removal and Modification of Quarter Stick Shifter

1. If quarter stick shifter is equipped with a Neutral/Park Start safety switch, disconnect negative (-) battery cable.

Warning: When removing or connecting the battery cable terminal, use care to avoid intermittent contact (arcing) between battery post and terminal end. This generates voltage spikes that can damage sensitive ECM (Electronic Control Module) components memory circuits.

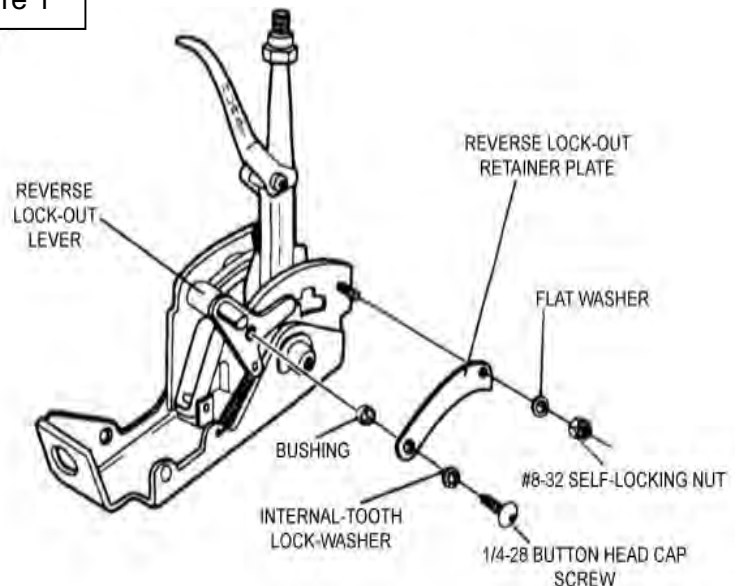
2. Place shifter stick into "Neutral" position and remove assembly from vehicle.

3. Remove extension spring connected to bottom of Reverse lever and the drivers' side of the shifter frame. Remove second extension spring connected to 1/8" split roll pin (located at the top "U" shaped bracket) and bottom of shifter frame.

4. Carefully remove button head cap screw and lock washer from the front of Reverse Lock/out retainer plate using a 5/32" hex key wrench. Loosen the self-locking nut on rear of the retainer plate using a 3/32" hex key wrench and 11/32" box wrench (do not remove). Pivot Reverse Lock/out retainer plate upward. (See Figure 1).

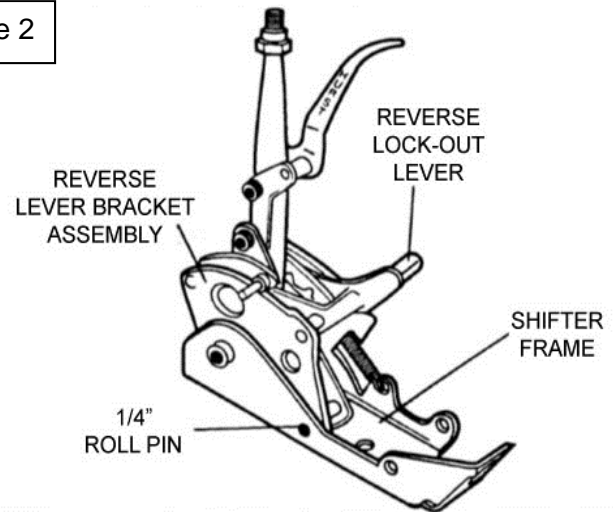
Note: A steel bushing and small shims are used for alignment and to provide free movement for Reverse Lock/out lever. These shims and bushing must be replaced in their original location when installing the new Reverse Lock-out lever supplied.

Figure 1



5. Lay shifter down on the Reverse lever side. Using a flat tip punch and hammer, drive roll pin (located at bottom of shifter frame) 1/4" inward. Lift and pivot Reverse lever bracket assembly forward and remove from shifter. (See Figure 2).

Figure 2



6. Stand shifter upright, place 1/4" I.D spacer (item #7) between shifter frame and "U" shaped roll pin bracket. Using a flat tip punch, drive roll-pin through spacer and back into shifter frame. (Refer to exploded view of assembly for component identification).

7. Insert bushing previously removed into the new Reverse Lock/out lever (item #8). Install Lock/out lever into shifter assembly re-using the bushing and shims to provide proper alignment. Re-align Reverse Lock/out retainer plate and replace the button head screw. Tighten the self- locking nut securely. Check

Reverse lever to be sure it moves freely. Back out button head screw and apply Loctite® Threadlocker (supplied) on the lock plate threads. Re-tighten button head screw.

8. Install the two (2) extension springs previously removed.

Installation of Hurst Quarter Stick Shifter Cover

Note: If shifter is a new installation or has not previously been installed in vehicle, follow installation instructions for shifter prior to installing cover.

1. Place console mounting plate under shifter frame and attach assembly to floor tunnel using four (4) #14 x 1" hex head self-tapping screws and 1/4" flat washers. **(Refer to exploded view of assembly for components identification).**

2. Install four (4) U-shaped speed nuts onto both sides of mounting plate (extruded side of speed nut towards inside of plate).

3. Remove knob from shifter stick. Using an 1/8" hex key wrench, remove socket head screw holding chrome trigger to shifter stick. Be careful not to lose any trigger shims during removal. Keep socket head screw, trigger, and shims together, set assembly aside. Place shifter cover over shifter with cut out for cable facing forward and align with mounting plate side holes. If cover bottom contacts floor before mounting holes are aligned, the cover must be trimmed to fit. Mark cover with a pencil and trim only areas that touch the floor until all mounting holes line up, remove cover.

4. Place gear indicator top plate onto cover with slot from the Reverse Lock-out lever toward drivers' side and "PARK" position facing forward. Insert two (2) #8-32 x 3/8" button head screws at top and fasten using #8-32 Nylok nuts.

Gently form top plate to the contour of cover and insert two (2) additional #8-32 x 3/8" button head screws and fasten using #8-32 Nylok nuts. (Refer to exploded view of assembly for component identification).

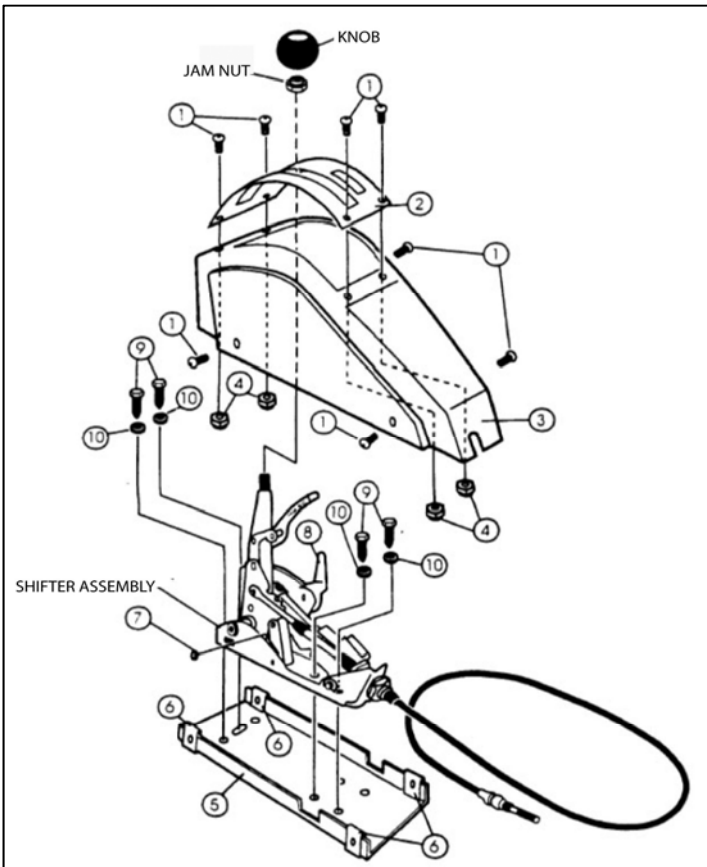
5. Place cover over shifter and attach to mounting plate using four (4) #8-32 x 3/8" button head screws and tighten using a 1/16" hex key wrench. Reinstall chrome trigger with shims, apply Loctite® Threadlocker (supplied) onto threads and tighten socket head screw securely (do not overtighten). Thread knob onto shifter stick, turn to desired position and tighten jam nut against knob.

6. Check shifter stick to be sure it is in "Neutral" position. Move stick rearward one gear position and apply the proper adhesive-back decal (letter or number) to indicate gear selection. Repeat this alignment procedure for the existing gear selections.

Note: Decal should be cut to size in order for letter or number to be applied easily onto cover top plate. Peel the backing off the decal and place down onto top plate, press down lightly moving your finger back and forth over decal. Carefully remove protective covering from top of decal.

7. Shifter Operation - parking brake must be applied and wheels blocked to prevent car from rolling. Familiarize yourself with the operation of shifter by moving stick forward and backward through the entire gear shift pattern.

8. Reconnect negative (-) battery cable if previously removed.



Contents of Hurst Quarter Stick Cover Kit

1. #8-32 x 3/8" Button Head Screw	Pt. 97004076 (8)
2. Plate - Gear Shifter Indicator	Pt. 195 8654
3. Shifter Cover	Pt. 140 0020
4. #8-32 Nylok Nut	Pt. 97002566 (4)
5. Mounting Plate	Pt. 195 8640
6. U-Type Speed Nut	Pt. 179 0088 (4)
7. 1/4" I.D Spacer	Pt. 228 0112
8. Reverse Lock-out lever – Flat	Pt. 175 0102CP
9. #14 x 1" Hex Head Sheet Metal Screw	Pt. 272 5699 (4)
10. 1/4" Flat washer	Pt. 97000818 (4)
11. Decal - Gear Shift Indicator	Pt. 132 0026
12. Loctite Threadlocker	Pt. 102 8849

Note: Gear shift indicator decal Pt. 132 0026 and Loctite® Threadlocker Pt. 1028849 are not shown