



2006 CATALOG



2006 HRP CATALOG INDEX

4130 TABS & BRACKETS	53-56	GAUGES	77	SHOCK MOUNT CABINET	90-91
4130 WELD SPUDS	41-47	GREASE GUN HOLDER	79	SHOCKPINS	24
9" FABRICATED HOUSING	68-71	GUSSETS	56, 61	SHOCK PIN KITS	24
9" REAR END SPUDS	49,70	HATS	95	SHOVEL RACK	80
10/10 EXTERNAL COUPLER	17	HEADERS	28	SIDE PANELS	21
A-ARMS MODIFIED	72	HEADER FLANGES	64-67	SNOUT	73
AEROSOL CAN BIN	86	HEADER MOUNTS	82	SPACER TRAYS	85
AIR BOX COMPONENTS	29	HEEL RISERS	18	SPARK PLUGS	77
<u>ALUMINUM BODY PANELS</u>	21	HEIMS	23	SPINDLES	26
ALUMINUM HANGERS	95	HEIM REDUCERS	52	SPRING POCKETS	72
ALUMINUM HEIM WASHERS	52	HITCH PINS	49	SPRINT TABS & BRKTS	53-63
ALUMINUM SPACER KITS	53	HOODS	18	SPRINT BUMPERS	18
ALUMINUM WASHERS	52	HOOD PLATES	20	SPRINT NURFS	18
AXLE NUTS	15	HOOK	80	SQUARE TUBE CAPS	57
AXLE BLANKS, SPRINT	31	HOSE RACKS	81	STEERING ARMS	25
AXLE BRACKETS,MIDGET	34	HYD WING VALVE	4	STEERING ARM STUDS	25
AXLE BRACKETS, SPRINT	32-35			STEERING GEAR	22
AXLE SPACERS	17			STEERING GEAR HALF MOUNTS	22
AXLE SPACER TRAYS	85	INBOARD CLAMPS	16	STEERING PLATE TOP	22
AXLE TUBES, 3"	73	INBOARD ROTOR	16	STEERING PUMPS	22
		INSPECTION PLUG SET	49	STEERING RINGS	47
				STEERING RODS	23
BALL JOINT WRENCHES	79	JACKETS	95	STEERING WHEELS	22
BEAD BREAKER	82	JACOBS LADDER & STRAP	17	STICKERS	95
BELLY RUDDER	5			STOCKCAR MOTOR MOUNTS	70
BIRDCAGES	15				
BLEEDERS	28	K&N AIR FILTER	29	T-SHIRTS	95
BODY PANELS	21	K&N FILTER CLEANER	29	T-SHIRT CABINET	87
BODY SAVERS	20	K&N FILTER OIL	29	TACHOMETER	28
BRAKES (FRONT)	26	KING PINS	26	TACH MOUNT	21
BRAKES (REAR)	16	KSE GEAR MOUNT	83	TEAROFFS	29
BRAKE BRKTS, STOCK CAR	74-75			TEAROFF POSTS	29
BRAKE BRACKETS, SPRINT	15-26	MAG HOLD DOWNS	77	THROTTLE PEDAL	19
BRAKE FLUID	16, 26	MASTER CYLINDERS	17	THROTTLE LINKAGE	19
BRAKE LINE TABS	55, 60	MILD STEEL TABS	58-63	TIRE GAUGE MOUNT	82
BRAKE PADS (FRONT)	26	MOOSE BLOCKS	85	TIRE SIPER	82
BRAKE PADS (REAR)	16	MOTOR PLATES	19	TORQUE BALL	15
BRAKE PAD SPACERS	16, 26	MSD COIL MOUNT	21	TORQUE TUBE	15
BRAKE PEDAL	17	MUD-X	29	TORQUE TUBE HOOP	18
BROOM HOLDER	80	MUFFLERS	28	TOP WINGS	2, 6-8
		MULE PRODUCTS	92-94	TOP WING MOUNTS	4
		MSD IGNITION	77	TOP WING POSTS	4
C TECH CABINETS	87			TORSION ARMS	25
CAR KART	85	NOSE WINGS	9-11	TORSION BARS	25
CARBON FIBER CAPS	5	NOSE WING MOUNTS	84	TORSION BUSHINGS	25
CHASSIS REPAIR INSERTS	48	NOSE WING CAR MOUNTS	12, 13	TORSION STOPS	25
COCKPIT ROCK SCREENS	20	NOSE WING TRAYS	85	TORSION STOP PADS	46
CORD RACKS	81	NURF SPUD MIDGETS	42-47	TORSION TUBE SPACERS	40
CUSTOM NAME PLATES	61	NURF SPUDS SPRINT	41-47	TOWEL RACK	81, 86
CUSTOM TABS & BRKTS	53			TIE RODS	23
		OIL BINS	86	TIE ROD END BOSSES	36
DRAGLINK STRAP	30	OIL PAN RAILS	76	TITANIUM SEAT BELT PLTS	30
DRIVE LINE COMPONENTS	15			TITANIUM SHOCK PINS	24
DRIVING GLOVES	30	POWDER COATED CHASSIS	5	TITANIUM STEERING STUD	25
DRY SUMP TANK MNT	19	POWDER COATED WINGS	5	TITANIUM TABS & BRKT	54-61
DUCT TAPE HOLDER	80	POWER STEERING LINES	4, 50-51	TITANIUM WASHERS	49
DZUS BUTTONS	63	POWER STEERING TANK	22	TITANIUM WELD SPUDS	37, 38
DZUS PLATES	63			TORSION BAR RACK	86
DZUS SPRINGS	63	QUICK CHANGE GEARS	28	TRAILER CABINETS	86-89
		QUICK CHANGE GEAR RACK	90	TRAILING ARM PADS	71
ENGINE KART	79	QUICK CHANGE PAN	79	TUBE STOCK	78
ENGINE LIFT PLATE	77				
ENGINE STANDS	79	RADIATORS	18	VALVE COVERS	76
EXHAUST PLATE COVER	67	RADIATOR MOUNTS	21	VALVE COVER KITS	76
		RADIATOR ROCK SCREENS	20	VALVE COVER POPOFF VALVE	76
FITTINGS	51	RATCHET STRAP HOLDER	81	VISORS	21
FLASHLIGHT HOLDER	80	RADIATOR TRAILER MOUNT	90	WALL TRAYS	86
FLOOR PANS	21	RADIUS RODS	23	WELDING CYLDR WRENCH	79
FRONT AXLE BOSSES	36-39	RADIUS ROD RACK	91	WHEELS	14
FRONT AXLE KITS	27	REAR AXLE RACK	83	WHEEL WRENCH	85
FRONT AXLE MIDGET	27	REAREND HOUSING	68, 69	WICKER BILLS	5
FRONT AXLE RACK	83	REAR END LOWER SHAFT	17		
FRONT AXLES, SPRINT	27	REAR END SHIFTER BRKT	10	WINDOW NETS	30
FUEL FILTER CLAMP	50	REAR END SQUARE TOOL	82	WING BELLY RUDDER	5
FRONT HUBS	26	REARENDS (SPRINTCAR)	15	WING RAM CYLINDER	4
FUEL BYPASSES	50	REAR END WRENCHES	15	WING SPARE PARTS	6-11
FUEL CELL MOUNT	83	RIVETS	5, 13	WING SPUDS	43-46
FUEL FILTERS	50	ROLLBAR PADDING	29	WORK STATION CABINETS	88
FUEL JUG CABINET	88	ROUND TUBE CAPS	57		
FUEL JUG RACK	80				
FUEL PILLS	50	SEAT BELTS	30		
FUEL PUMPS	50	SANDBLASTING CHASSIS	5		
FUEL SHUTOFF	50	SET UP BLOCKS	85		
FUEL TANKS	18	SHEET STOCK	78		
FUEL TANK MOUNT SPRINT	20	SHIFTER CABLE	16		
FUNNEL TRAYS	80	SHOCK BOSSES WELD IN	37-39		
		SHOCK GUARDS	21		

**SPRINT CAR WINGS
& COMPONENTS
PAGE 2-13**



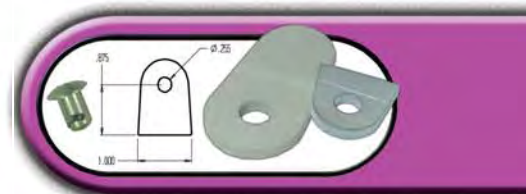
**SPRINT CAR
COMPONENTS
PAGE 14-30**



**TUBULAR BRACKETS
FITTINGS AND BOSSES
PAGE 31-52**



**TABS, BRACKETS, &
ZUE PLATES & BUTTONS
PAGE 53-63**



**HEADER &
COLLECTOR FLANGES
PAGE 67-67**



**9" REAR END &
ENGINE ACCESSORIES
PAGE 68-77**



**PIT EQUIPMENT &
ACCESSORIES & MULES
PAGE 79-95**



SPRINT CAR TOP WINGS



TIM COX #40 HOSS 2005 CHAMPION
HOSS,AVSS,USAC ASPHALT SPRINTCAR DRIVER



DARYN PITTMAN #21 TITAN
WoO SPRINTCAR, 5 FEATURE WINS IN 2005



HRP WINGS
 RECESSED RIVETS,
 CNC PUNCHED,
 KIT FORM,
 AERODYNAMIC TESTED,
 STRONG, AND LIGHTWEIGHT.
 NON RECESSED RIVET WINGS
 ALSO AVAILABLE

HRP Part #	Sprint Car Parts-Description COMPLETE ASSY	Skin	Dimples	Dish	Info	Weight	
VFT0500	TOP WING W/ 4130 POSTS	.020 6061	NO	1 ¼	STANDARD	43 #	
VFT0500	TOP WING W/ 4130 POSTS	.020 6061	NO	2 ½	STANDARD	43 #	
VFT0500	TOP WING W/ 4130 POSTS	.020 6061	YES	1 ¼	STANDARD	43 #	
VFT0500	TOP WING W/ 4130 POSTS	.020 6061	YES	2 ½	STANDARD	43 #	
	ADD ONS						
VFT0550	RH SUPER BOARD	.020 6061				+5 #	
VFT0551	.016 6061 SKIN UPGRADE	.016 6061	ONLY	BOTH		-4.5 #	
VFT0552	.016 2024 SKIN UPGRADE	.016 2024	ONLY	BOTH		-4.5 #	
VFT0553	TITANIUM TWIST IN POST	-	-	-		-.5 #	
VFT0554	BUILT-IN BELLY RUDDERS	ANY	ONLY	BOTH		+2 #	
	WICKER BILL					+5 #	

SPRINT CAR TOP WINGS



THE ORIGINAL RECESSED RIVET SPRINT CAR WING

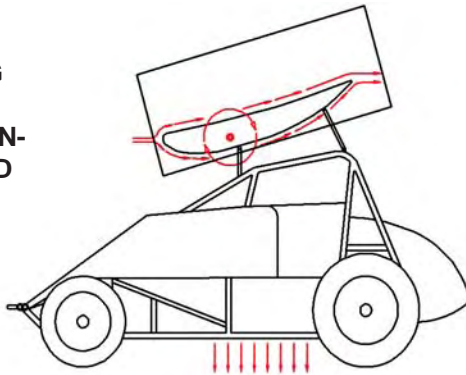
IN 1996 HRP built is first sprint car wing. Over the last 10 years HRP has lead the industry in inovative designs and manufacturing technology. We have done extensive design and wind tunnel testing. In 2005 we introduced the newest, stongest, and most reliable wing on the market named VFT. HRP... The leader in the sprint car wing industry.

**WIND TUNNEL TESTED
AND LEADING THE
INDUSTRY IN DESIGN
AND TECHNOLOGY**

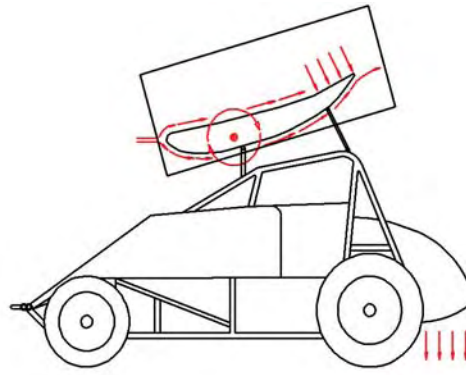


1 1/4" DISH vs 2 1/2" DISH

1 1/4" DISH WING
APPLIES DOWN
FORCE MORE EVEN-
LY ON FRONT AND
REAR TIRES



2 1/2" DISH WING
APPLIES ABOUT
20% MORE REAR
WHEEL DOWN
FORCE WITH
ADDING LESS
THAN 2% DRAG



**Easy Glide
Post**
STANDARD WITH
ALL NEW HRP
WINGS

RIV-HINTS



Run torsion tube nose wing mounts to save wing in crash. Nose wing may slide back and prevent damage.



Keep all wrecked HRP wings. Rarely is there a non-use-ble part in a HRP Wing. These can be used to fix crashed wings in the future.



Powder coating a wing fills in the recessed rivet areas on the wing to help aero dynamic efficiency.



Silicone the top and nose of the top & nose wings **ONLY**, **NOT** the bottom. This will help the wing drain water.



Carbon fiber nose caps help keep the nose of wing in good shape and improves aerodynamics.



Kick out the right hand board 3/4" to 2" to help catch air.

TOP WING ACCESSORIES

WING SLIDER PARTS



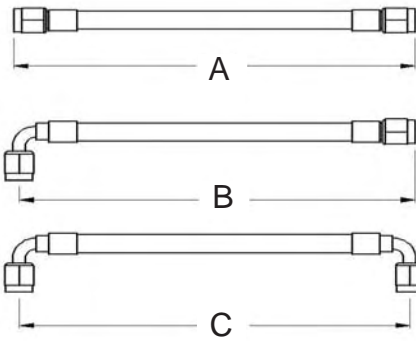
HRP #	DESCRIPTION	
HRP8550	Wing Ram 8" Long	
HRP8551	Wing Ram 10" Long	
HRP8552	Wing Ram 12" Long	
HRP8559	Manual Wing Slider	
MPD358W	Wing Ram Seal	
ALJF6	Aluminum Female Heim 3/8"	
CF6	Steel Female Heim 3/8"	
CM6	Steel Male Heim 3/8"	



HYDRAULIC WING VALVE
Hanks Performance
 Billet Aluminum

TOP WING POSTS

HRP8810 T-style TIT **HRP8809** T-style 4130 **HRP8811** Easy-Glide



WING CYLINDER LINES

-4 XRP CRIMPED HOSES
 W/ALUM ENDS

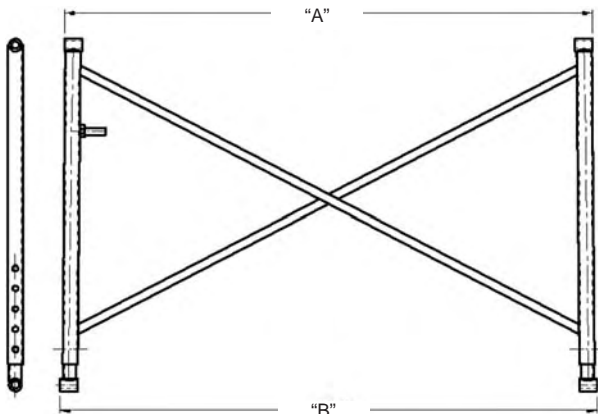
HRP8087 "A"
 HRP8088 "B"
 HRP8089 "C"

HRP8080 TUBULAR 4130

HRP8081 TUBULAR TIT

HRP8082 AERO-DYNAMIC

- * STANDARD SIZE SHOWN ABOVE
- * FITS HRP WING AND EAGLE, MAX STYLE, and J&J CHASSIS
- * SPECIAL SIZES AVAILABLE
- * 4130 TREES ARE NICKEL PLATED



Old Style
A= 26.06 Wide
B= 26.50 Wide

New Style
A= 26.50 Wide
B= 26.50 Wide

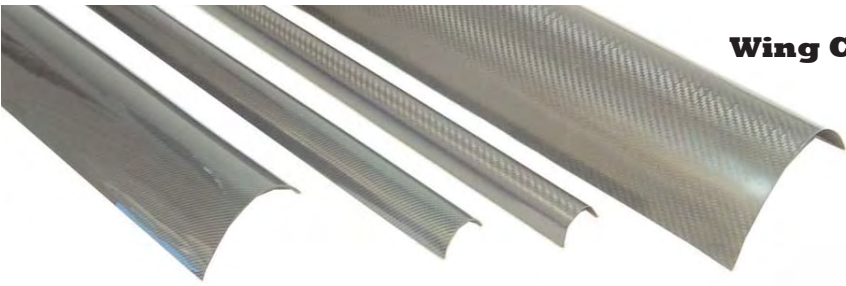


HRP8083 Aero Tree Insert

HRP8085 5/8" Tube Insert

HRP8084 Hitch Pin

TOP WING ACCESSORIES

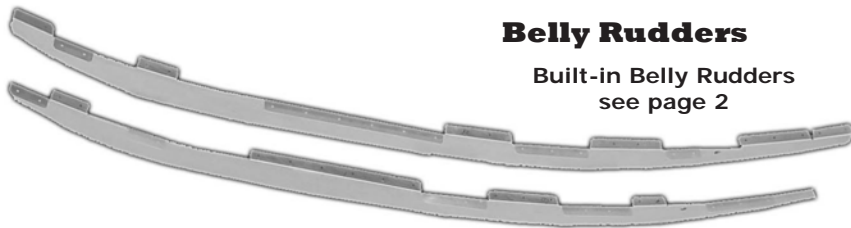


Wing Caps

HRP #	DESCRIPTION
HRP8830	Top Wing Plastic Cap Carbon Simulator
HRP8830	Top Wing Economy Cap Carbon Fiber
HRP8830	Top Wing Carbon Fiber
HRP8830	Nose Wing Plastic Cap Carbon Simulator
HRP8830	Nose Wing Economy Cap Carbon Fiber
HRP8830	Nose Wing Carbon Fiber

HRP #	DESCRIPTION
Top Wing Wicker Bill	
HRP8860	1" Wicker Bill Top Wing
HRP8861	2" Wicker Bill Top Wing
HRP8862	3" Wicker Bill Top Wing
Wicker Bill Nose Wing	
VFT1093	½" Wicker Bill Nose Wing
VFT1094	1" Wicker Bill Nose Wing

Wicker Bills





HRP #	DESCRIPTION
VFT5060-LH	LH 2 ½ Dish Rivet On
VFT5060-RH	RH 2 ½ Dish Rivet On
VFT5061-LH	LH 1 ¼" Dish Rivet On
VFT5061-LH	RH 1 ¼" Dish Rivet On


HRP #	DESCRIPTION
HRP8972	Nose Wing Side Board Each
HRP8973	Nose Wing Complete
HRP8974	Top Wing Side Boards Each
HRP8975	Top Wing Complete
HRP8976	Chassis
HRP8977	Sand Blast Chassis

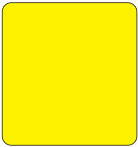
Powder Coat Paint


STANDARD COLORS AVAILABLE
SPECIAL COLORS UPON REQUEST


RED


BLACK

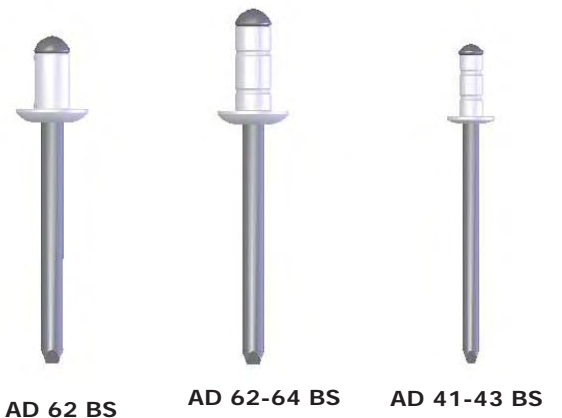

WHITE


YELLOW


BLUE

HRP #	DESCRIPTION	Quantity 1/8 multi	Quantity 3/16 multi	Quantity 3/16 STD
VFT9000	Complete Top Wing Assembly	760	185	20
VFT9001	Side Boards to Center with Brace Kit	100	80	-
VFT9002	Brace Kit Braces Only Assembly to Wing	-	80	-
VFT9003	LH Side Board Assembly	135	-	-
VFT9004	RH Side Board Assembly	120	-	-
VFT9050	1/8 Multi Grip Rivets Bag AD 41-43 BS	250	-	-
VFT9051	3/16 Multi Grip Rivets Bag AD 62-64 BS	-	250	-
VFT9052	3/16 Standard Rivets Bag AD 62	-	-	250

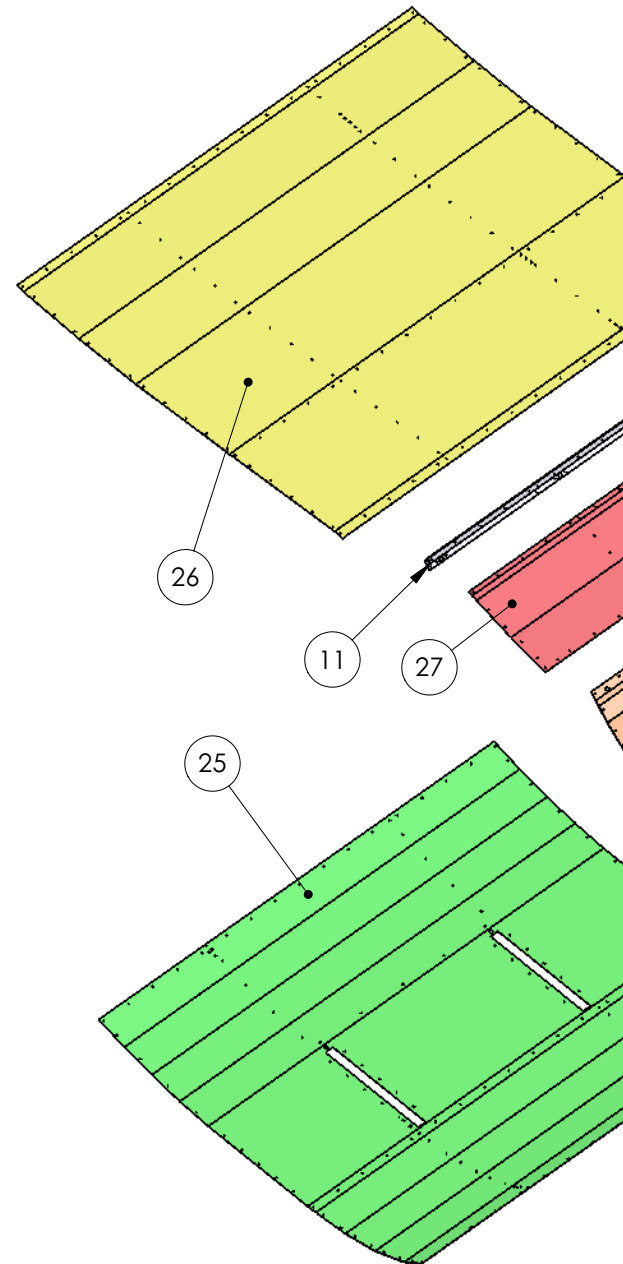
Top Wing Rivet Kits



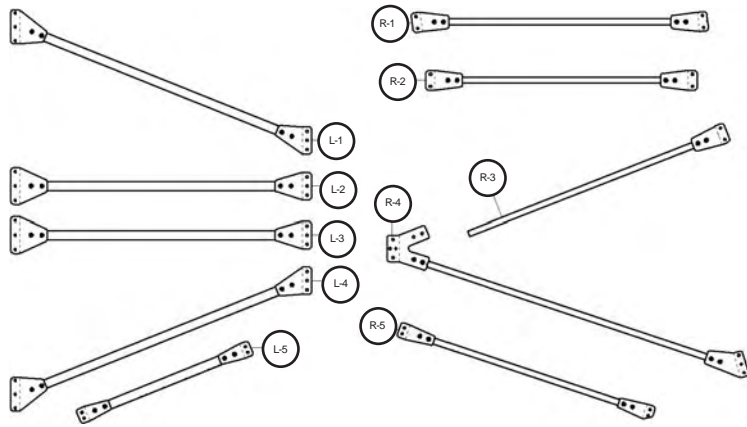
TOP WING SCHEMATIC

CENTER SECTION PART

HRP #	DESCRIPTION	QTY	SKU #
VFT5001 LH	LH Front Profile .020	2	1
VFT5001 RH	RH Front Profile .020	2	2
VFT5002 LH	LH Center Profile Outer .020	1	3
VFT5002 RH	RH Center Profile Outer .020	1	4
VFT5003 LH	LH Center Profile Inner .040	1	5
VFT5003 RH	RH Center Profile Inner .040	1	6
VFT5004 LH	LH Rear Profile Outer .020 2 ½ Dish	1	7
VFT5004 RH	RH Rear Profile Outer .020 2 ½ Dish	1	8
VFT5005 LH	LH Rear Profile Inner .020 2 ½ Dish	1	9
VFT5005 RH	RH Rear Profile Inner .020 2 ½ Dish	1	10
VFT5006	Back Edge	1	11
VFT5007	Rear Cross Rib	1	12
VFT5008	Middle Cross Rib	1	13
VFT5009	Front Cross Rib	1	14
VFT5010	Nose Wrap	4	15
VFT5011	Nose Backer	2	16
VFT5012	Nose Cap	1	17
VFT5013 LH	LH Back Brace Support	1	18
VFT5013 RH	RH Back Brace Support	1	19
VFT5014 LH	LH Rear Wing Mount	1	20
VFT5014 RH	RH Rear Wing Mount	1	21
VFT5015	Center Support	2	
VFT5016 LH	LH Slider Structure	1	23
VFT5016 RH	RH Slider Structure	1	24
VFT5017	Bottom Skin	1	25
VFT5018	Top Skin	1	26
VFT5019	Top Rear Skin 2 ½ Dish	1	27
VFT5020	Bottom Rear Skin 2 ½ Dish	1	28
VFT5021	Entry Plate	1	29
1 ¼ Dish Wing			
VFT5030 LH	LH Rear Profile Inner .020 1 ¼ Dish	1	9
VFT5030 RH	RH Rear Profile Inner .020 1 ¼ Dish	1	10
VFT5031 LH	LH Rear Profile Outer .020 1 ¼ Dish	1	7
VFT5031 RH	RH Rear Profile Outer .020 1 ¼ Dish	1	8
VFT5032	Top Rear Skin 1 ¼ Dish	1	27
VFT5033	Bottom Rear Skin 1 ¼ Dish	1	28



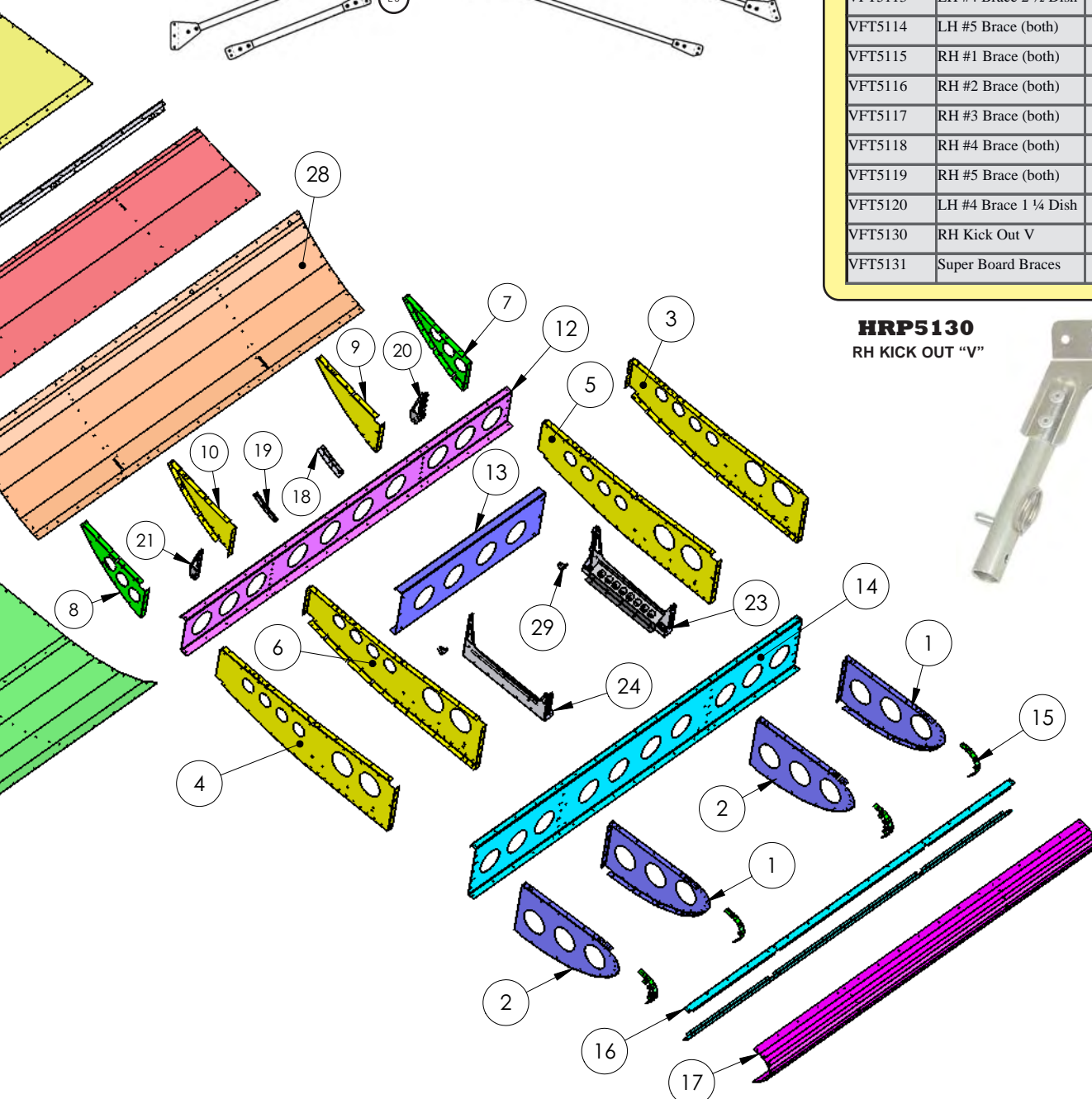
TOP WING SCHEMATIC



BRACES AND BRACE KITS

HRP #	DESCRIPTION	QTY	SKU #
VFT5000	KIT 2 ½ DISH	1	-
VFT5001	KIT 1 ¼ DISH	1	-
VFT5110	LH #1 Brace (both)	1	L-1
VFT5111	LH #2 Brace (both)	1	L-2
VFT5112	LH #3 Brace (both)	1	L-3
VFT5113	LH #4 Brace 2 ½ Dish	1	L-4
VFT5114	LH #5 Brace (both)	1	L-5
VFT5115	RH #1 Brace (both)	1	R-1
VFT5116	RH #2 Brace (both)	1	R-2
VFT5117	RH #3 Brace (both)	1	R-3
VFT5118	RH #4 Brace (both)	1	R-4
VFT5119	RH #5 Brace (both)	1	R-5
VFT5120	LH #4 Brace 1 ¼ Dish	1	L-4
VFT5130	RH Kick Out V	1	-
VFT5131	Super Board Braces	2	-

HRP5130
RH KICK OUT "V"

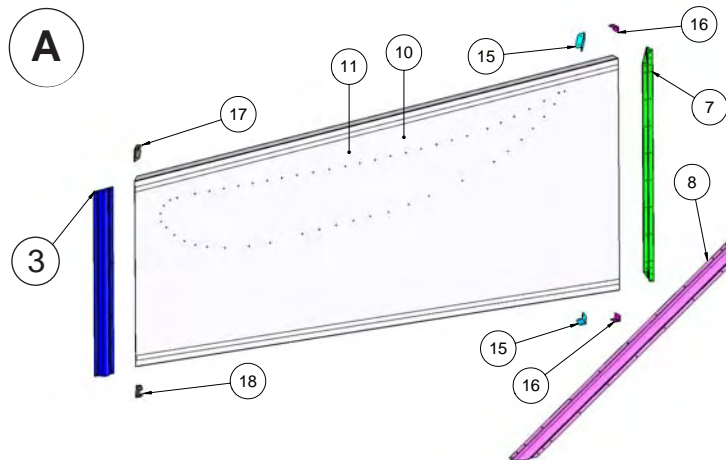


SPRINT SIDE BOARD SCHEMATIC

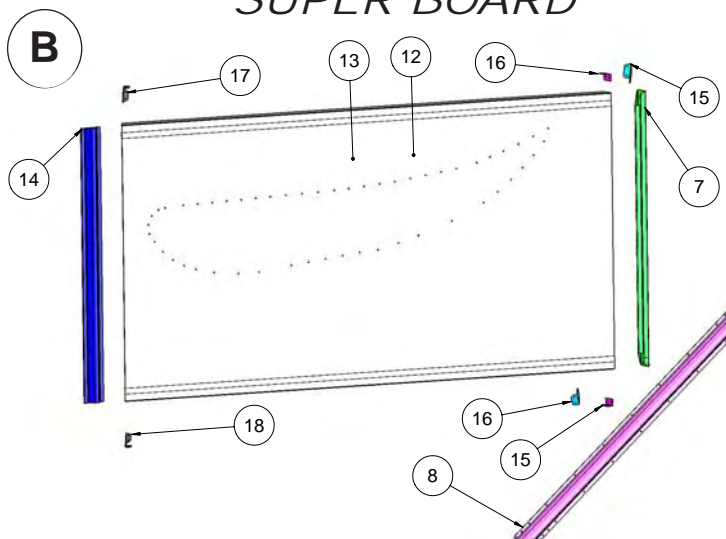
Side Board Parts

HRP #	DESCRIPTION	QTY	SKU #
VFT5080	LH Board Rear Upright	1	1
VFT5081	LH Board Center Upright	2	2
VFT5082	LH Board Front Edge	1	3
VFT5083	LH Board 2 ½ Dish	1	4
VFT5084	LH Board 1 ¼ Dish	1	5
VFT5085	LH Board Brace Backer	1	6
VFT5086			
VFT5087	RH Board Rear Upright	1	7
VFT5088	RH Board Diagonal	1	8
VFT5089	RH Board Front Edge	1	9
VFT5090	RH Board 2 ½ Dish Std	1	10
VFT5091	RH Board 1 ¼ Dish Std	1	11
VFT5092	RH Board 2 ½ Dish Super Board	1	12
VFT5093	RH Board 1 ¼ Dish Super Board	1	13
VFT5093	RH Board Front Edge Super Board	1	14
VFT5094	End Cap Outer Corners	4	15
VFT5095	Cap Back Corner	4	16
VFT5096	Front Cap Top	2	17
VFT5097	Front Cap Bottom	2	18
	Complete Boards & Kits		
VFT5160	RH Board 2 ½ Dish	1	A
VFT5161	RH Board 2 ½ Dish Kit (unassembled)	1	A
VFT5162	RH Board 1 ¼ Dish	1	A
VFT5163	RH Board 1 ¼ Dish Kit (unassembled)	1	A
VFT5164	RH Super Board 2 ½ Dish	1	B
VFT5165	RH Super Board 2 ½ Dish (unassembled)	1	B
VFT5166	RH Super Board 1 ¼ Dish	1	B
VFT5167	RH Super Board 1 ¼ Dish (unassembled)	1	B
VFT5168	LH Board 2 ½ Dish	1	C
VFT5169	LH Board 2 ½ Dish (unassembled)	1	C
VFT5170	LH Board 1 ¼ Dish	1	C
VFT5171	LH Board 1 ¼ Dish (unassembled)	1	C

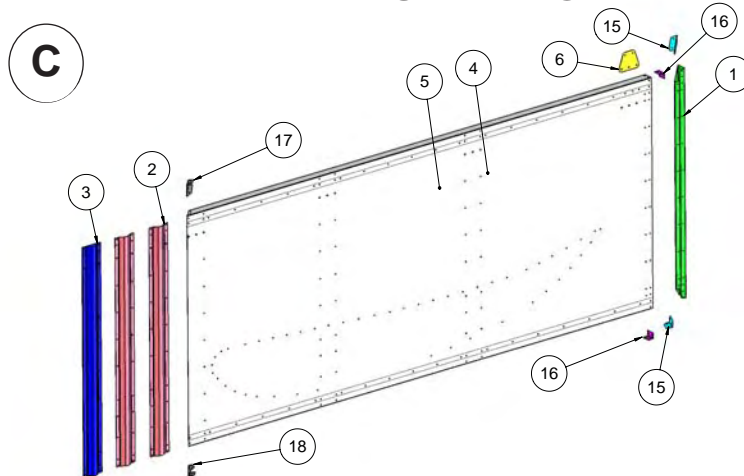
RIGHT HAND SIDE BOARD



RIGHT HAND SIDE BOARD SUPER BOARD



LEFT HAND SIDE BOARD



SPRINTCAR NOSE WINGS

**WHEN ORDERING
SPECIFY**

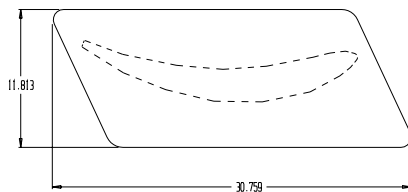
- *Mount Type
- *Side Board Type
- *Dish



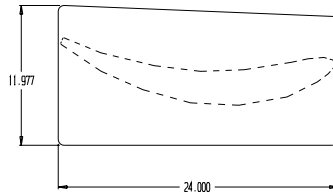
HRP Part #	Sprint Car Parts-Description COMPLETE ASSY	Skin	Dimples	Dish	Mount	Weight	
VFT0800-E	3/8" Dish Short Economy Board	.020 6061	YES	3/8"	Specify	7.5 #	
VFT0800-T	3/8" Dish Tall Board	.020 6061	YES	3/8"	Specify	8 #	
VFT0800-S	3/8" Dish Super Board	.020 6061	YES	3/8"	Specify	8 #	
VFT0800-C	3/8" Dish Center Only	.020 6061	YES	3/8"	Specify	8 #	
VFT0801-E	1" Dish Short Economy Board	.020 6061	YES	1"	Specify	8 #	
VFT0801-T	1" Dish Super Board	.020 6061	YES	1"	Specify	8 #	
VFT0801-S	1" Dish Tall Board	.020 6061	YES	1"	Specify	8 #	
VFT0801-C	1" Dish Center Only	.020 6061	YES	1"	Specify	8 #	
VFT0802-T	2" Dish Tall Board	.020 6061	YES	2"	Specify	8 #	
VFT0802-S	2" Dish Super Board	.020 6061	YES	2"	Specify	8 #	
VFT0802-C	2" Dish Center Only	.020 6061	YES	2"	Specify	8 #	

SIDE BOARD TYPE

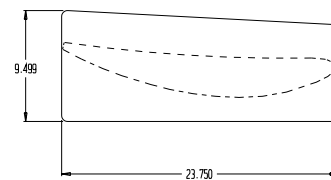
Super Board = S



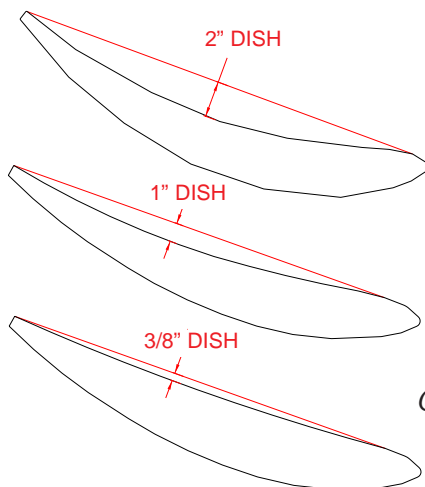
Tall Board = T



3/8" Economy = E



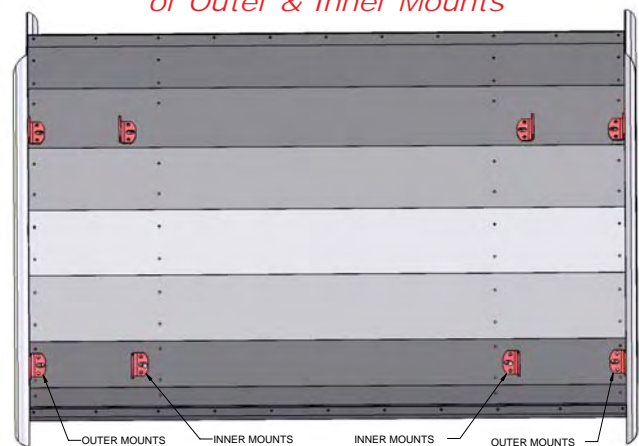
NOSE WING PROFILES



3 Profiles to Choose From

MOUNT TYPE

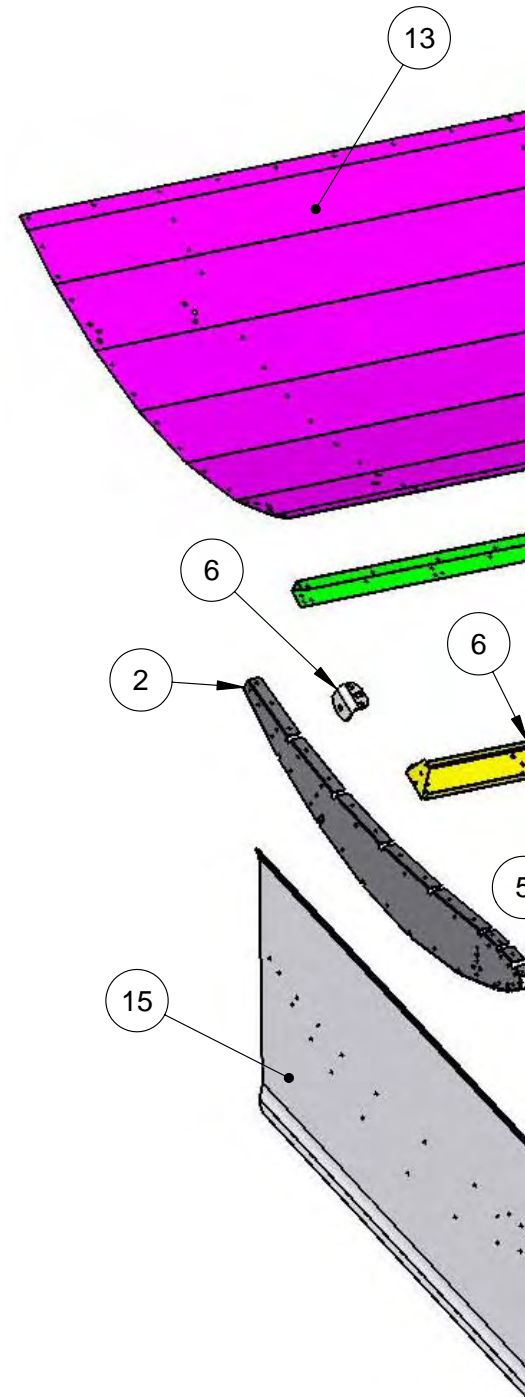
Specify: Outer Mounts Only
or Outer & Inner Mounts



NOSE WING SCHEMATIC

Nose Wing Parts

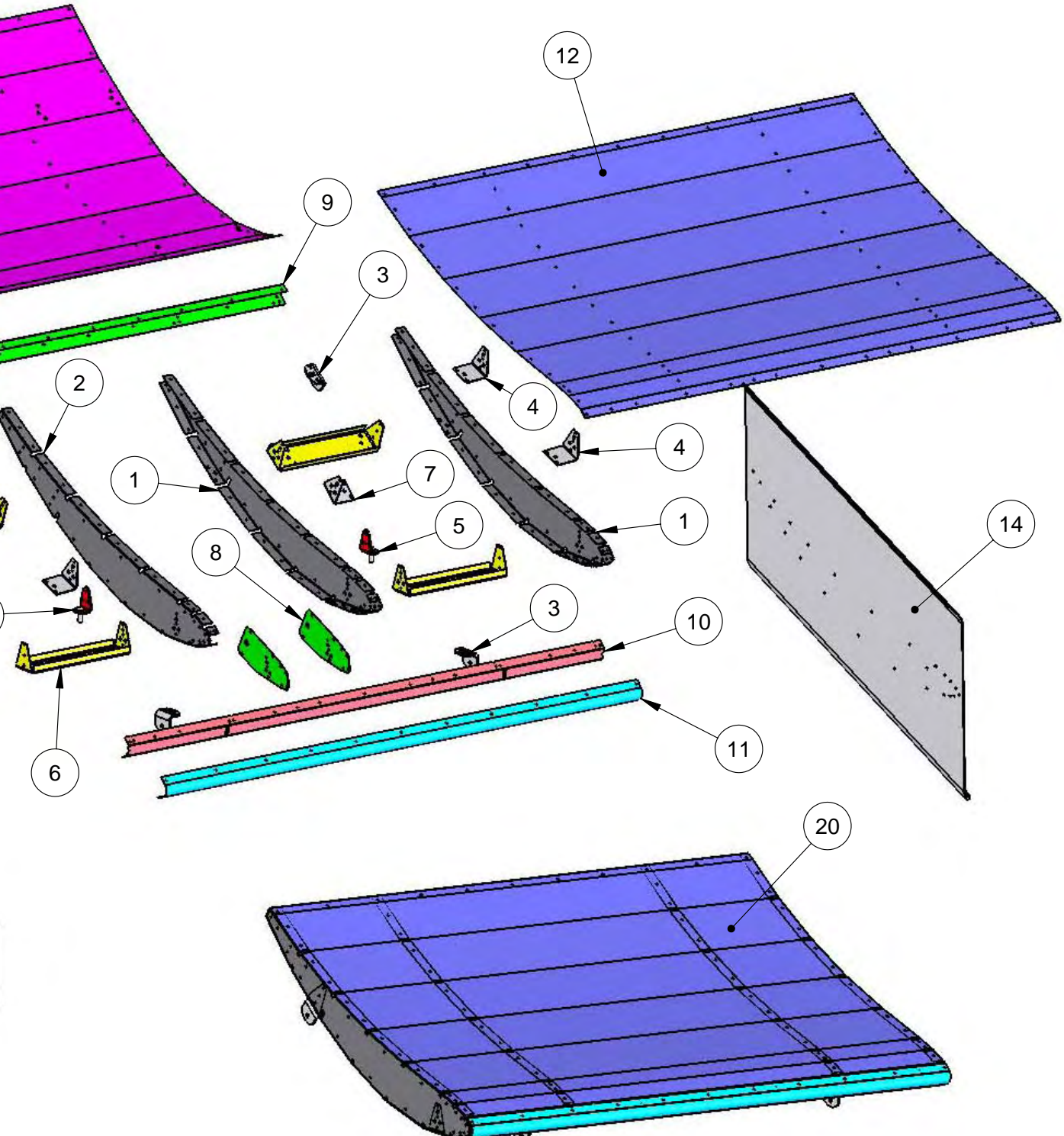
HRP #	DESCRIPTION	QTY	SKU #
VFT1000 LH	VFT LH Profile 3/8 Dish Dimpled	2	1
VFT1000 RH	VFT RH Profile 3/8 Dish Dimpled	2	2
VFT1001 LH	VFT LH Profile 1 Dish Dimpled	2	1
VFT1001 RH	VFT RH Profile 1 Dish Dimpled	2	2
VFT1002 LH	VFT LH Profile 2 Dish Dimpled	2	1
VFT1002 RH	VFT RH Profile 2 Dish Dimpled	2	2
VFT1003	External Mount Bracket	4	3
VFT1004	Internal Bracket, Outer Mounts	4	4
VFT1005	Front Internal Bracket, Inner Mount	2	5
VFT1006	Internal Bracket, Inner/Outer Mount	4	6
VFT1007	Internal Bracket, Extra Support Rear	2	7
VFT1008	Internal Bracket, Extra Support Front 3/8 Dish	2	8
VFT1009	Internal Bracket, Extra Support Front 1 Dish	2	8
VFT1010	Internal Bracket, Extra Support Front 2 Dish	2	8
VFT1015	Back Edge	1	9
VFT1016	Nose Backer	1	10
VFT1017	Nose Cap	1	11
VFT1020	Top Skin 3/8 Dish Both Mounts	1	12
VFT1021	Bottom Skin 3/8 Dish Both Mounts	1	13
VFT1022	Top Skin 1 & 2 Dish Both Mounts	1	12
VFT1023	Bottom Skin 1 Dish Both Mounts	1	13
VFT1024	Bottom Skin 2 Dish Both Mounts	1	13
VFT1025	Top Skin 1 & 2 Dish Outer Mounts	1	12
VFT1026	Bottom Skin 1 Dish Outer Mounts	1	13
VFT1027	Bottom Skin 2 Dish Outer Mounts	1	13
VFT1050	LH Side Board 3/8 Dish Short	1	14
VFT1051	RH Side Board 3/8 Dish Short	1	15
VFT1052	LH Side Board 3/8 Dish Tall	1	14
VFT1053	RH Side Board 3/8 Dish Tall	1	15
VFT1054	LH Side Board 3/8 Dish Super	1	14
VFT1055	RH Side Board 3/8 Dish Super	1	15
VFT1056	LH Side Board 1 Dish Tall	1	14
VFT1057	RH Side Board 1 Dish Tall	1	15
VFT1058	LH Side Board 1 Dish Super	1	14
VFT1059	RH Side Board 1 Dish Super	1	15
VFT1060	LH Side Board 2 Dish Tall	1	14
VFT1061	RH Side Board 2 Dish Tall	1	15
VFT1062	LH Side Board 2 Dish Super	1	14
VFT1063	RH Side Board 2 Dish Super	1	15



Nose Wing Centers

HRP #	DESCRIPTION
VFT0800-C	Nose Wing Center 3/8"
VFT0801-C	Nose Wing Center 1"
VFT0802-C	Nose Wing Center 2"

NOSE WING SCHEMATIC



**CARBON FIBER NOSE CAPS &
WICKER BILLS**
SEE PAGE 5

NOSE WING ACCESSORIES

STRAIGHT NOSE WING TUBES

1" DIA AND 3/4" DIA NOSE WING POST
12" LONG VARIOUS MATERIAL TYPES



HRP #	DESCRIPTION	Diameter	Mat
HRP8004.SS	Steel Nose Wing Post	1" SS	
HRP8004.TIT	Titanium Nose Wing Post	1" TIT	
HRP8004.ALUM	Aluminum Nose Wing Post	1" Alum	
HRP8060	Steel Nose Wing Post	3/4" SS	
HRP8061	Titanium Nose Wing Post	3/4" TIT	

BENT NOSE WING TUBES

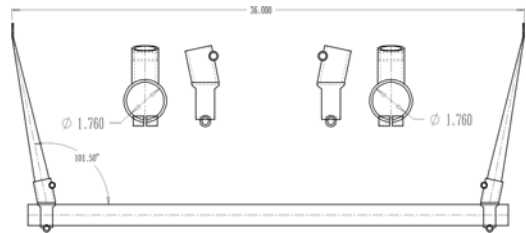
1" DIA NOSE WING POST
BENT TO MOVE WING FORWARD



HRP #	DESCRIPTION	Diameter	Mat
HRP8058	Steel Nose Wing Post	1" SS	
HRP8059	Titanium Nose Wing Post	1" TIT	
HRP8057	Aluminum Nose Wing Post	1" Alum	

4130 NOSE WING TORSION TUBE MOUNT

HRP8018 TORSION TUBE MOUNTS
FABRICATED 4130
SOLD EACH
TUBES SOLD SEPARATELY



ALUMINUM NOSE WING TORSION TUBE MOUNT

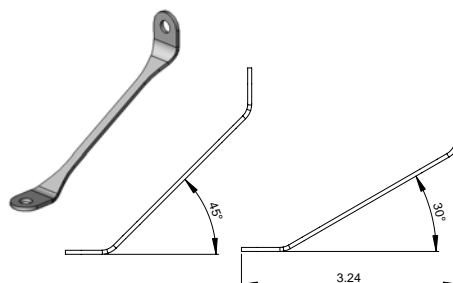
HRP8053 NOSE WING MOUNT
MACHINED ALUMINUM
SOLD EACH



TIM ALLISON #11 ELDORA SPEEDWAY

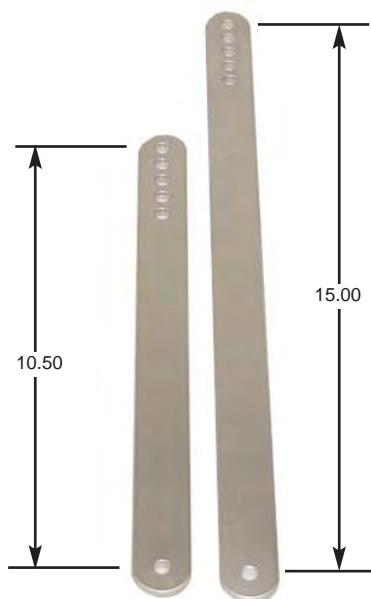
SIDE BOARD GUSSETS

VFT9050 30/60 Degree Angle
VFT9051 45/45 Degree Angle
Stainless Steel Brackets Rivet on and
Support Side Board



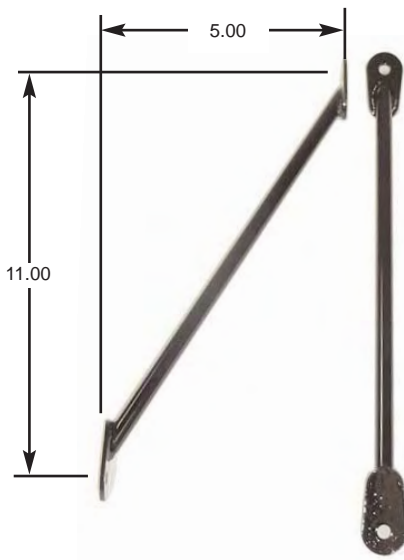
REAR VIEW OF THE 21J JOHN HAENI

NOSE WING ACCESSORIES



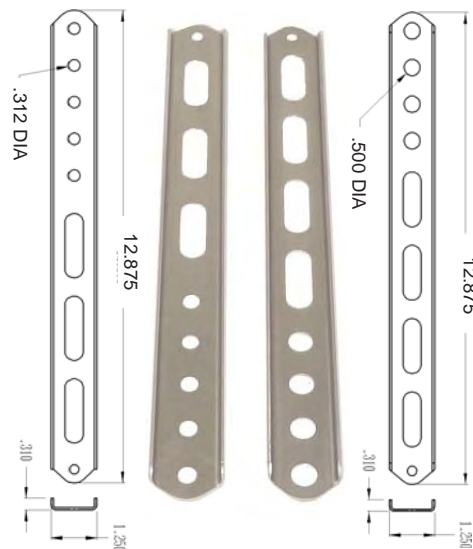
REAR NOSE WING STRAPS

- HRP8112** NOSE WING STRAP SHORT
HRP8113 NOSE WING STRAP LONG
 SOLD EACH
 HEAVY DUTY REAR WING STRAP



REAR NOSE WING MOUNT

- HRP8114** REAR NOSE WING MOUNT
 SOLD EACH
 FOR OUTSIDE MOUNTS



NOSE WING STRAPS

- HRP8005** NOSE WING STRAP .312 DIA HOLE
HRP8006 NOSE WING STRAP .500 DIA HOLE
 SOLD EACH
 LIGHTEST STRAP AVAILABLE YET DURABLE

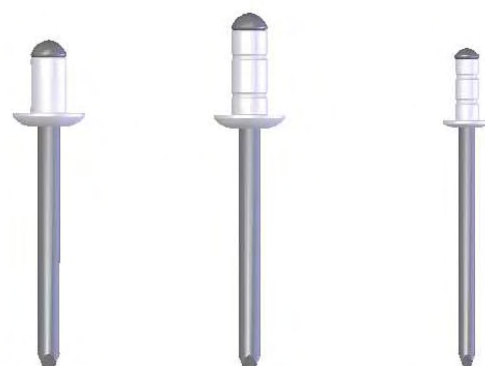


AERO NOSE WING MOUNT

- HRP8054 LH** LEFT CLAMP
HRP8054 RH RIGHT CLAMP
HRP8055 AERO POST
 SOLD EACH
 AERO TUBE MOUNT ON ANGLE OFF TORSION TUBE AND
 MOUNTS TO NOSE WING SIDE BOARD

Nose Wing Rivet Kits

HRP #	DESCRIPTION	Quantity 1/8 multi	Quantity 3/16 multi	Quantity 3/16 STD	
VFT9010	Nose Wing 3/8" Dish Complete	185	24	-	
VFT9011	Nose Wing 1" Dish Complete	185	24	-	
VFT9012	Nose Wing 2" Dish Complete	185	24	-	
VFT9013	Side Board Assembly Kit	48	-	-	
VFT9050	1/8 Multi Grip Rivets Bag AD 41-43 BS	250	-	-	
VFT9051	3/16 Multi Grip Rivets Bag AD 62-64 BS	-	250	-	
VFT9052	3/16 Standard Rivets Bag AD 62	-	-	250	



AD 62 BS

AD 62-64 BS

AD 41-43 BS

SPRINT CAR WHEELS



John Haeni 2002 IRA Champion says "Weld wheels are the strongest and most durable on the market" (left)



David O'Neal in 360 action at Wilmot Speedway in 2005. (right)



REAR W/BEAD LOCK

SIZE	BACK SPACING	PART #
15 x 14 INNER LOCK	4" to 7"	735-5143X
15 x 15 INNER LOCK	4" to 7"	735-5153X
15 x 14 OUTER LOCK	4" to 7"	735-5142X
15 x 15 OUTER LOCK	4" to 7"	735-5152X

X=ADD BACKSPACING NUMBER TO END OF PART NUMBER WHEN ORDERING



REAR W/BEAD LOCK & COVER

SIZE	BACK SPACING	PART #
15 x 16	5" to 7"	735-5165X
15 x 17	3" to 7"	735-5175X
15 x 18	2" to 10"	735-5185X

X=ADD BACKSPACING NUMBER TO END OF PART NUMBER WHEN ORDERING

REAR NON BEAD LOCK

SIZE	BACK SPACING	PART #
15 x 14	4" - 7"	735-5141X
15 x 15	4" - 7"	735-5151X
15 x 16	4" - 7"	735-5161X
15 x 17	4" - 7"	735-5171X
15 x 18	2" - 10"	735-5181X

X =ADD BACKSPACING NUMBER TO END OF PART NUMBER WHEN ORDERING



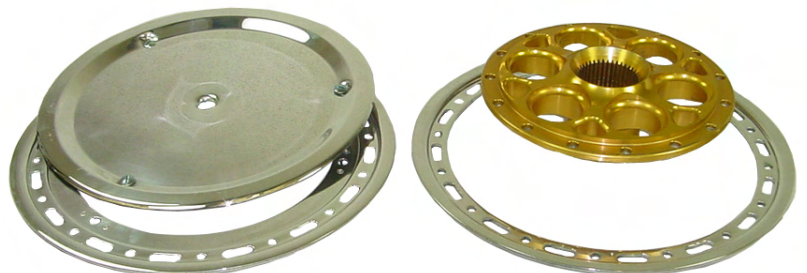
FRONT NON & W/BEAD LOCK

SIZE	LOCK	PART #
15 x 8	YES	860-5085X
15 x 10	YES	860-5105X
15 x 8	NO	860-5081X

X =ADD BACKSPACING NUMBER TO END OF PART NUMBER WHEN ORDERING

SPARE LOCKS & COVERS

DESCRIPTION	PART #
15" LOCK	P613-7078
15" LOCK FOR COVER	P650-5314
15" LOCK W/COVER	P650-5315
15" COVER (4 COVERS)	P650-4213
WHEEL CENTER	P613-7078



CALL FOR WHEEL HALVES

SPRINT CAR DRIVE LINE



WINTERS DRIVE LINE COMPONENTS

- WIN3700** ALUM U-JOINT CHEVY
- WIN2273L** TORQUE BALL HOUSING W/COLLAR
- WIN2275L** TORQUE BALL
- WIN6661-02** TORQUE TUBE
- WIN5988G-29** HOLLOW DRIVE SHAFT 29"
- WIN5988G-30** HOLLOW DRIVE SHAFT 30"

P/N 3818 Option 8269 Accessory Package
 Pkg. includes: rotor mount, hex nuts, cable bracket, breather kit, torque tube stud kit, 3 1/6" steel spacer, brake clamp spacer, steel cupped splined brg. shoulder spacer

HRP6105 WINTERS REAR END WRENCH

HRP6106 FRANKLIN REAR END WRENCH



WINTERS PRO ELIMINATOR

WINTERS OPTIONS

PART #	DESCRIPTION
8104	POST-LOCK PINION NUT
8106	HEAT TREATED LOWER SHAFT
8111	4.2 RING & PINION
8128	TITANIUM LOWER SHAFT
8150	TITANIUM SHIFTER SHAFT
8143	ROLLER BEARING ON PINION NOSE
8163	STEEL INTERNAL 10-10 COUPLER
8163A	ALUM. INTERNAL 10-10 COUPLER
8202-XXX	EDM RING GEAR (SPECIFY RATIO)
8205	TITANIUM CENTER STUDS
8208	THERMAL DISPERSANT COATING
8116	SPLINED BEARING SHOULDER
8153	LIGHTWEIGHT AXLE (SAVE 3 LBS)

ALUM NUTS

WIN6121L
LH ALUM NUT

WIN6121R
RH ALUM NUT



MAG NUTS

BBM3625L
LH MAG NUT

BBM3625R
RH MAG NUT



HRP8224
BEARING SAVER
SPACER

BIRD CAGES



HRP8220.LH
LR Double Row Small Bearing
HRP8221.RH

RR Double Row Small Bearing
HRP8222

LR & RR Double Row Small Bearing
HRP8223

Small Bearing

RIGHT REAR BRAKE BRACKET



HRP8073.MS
HRP8074.187 TIT

RIGHT REAR BRAKE BRACKET
.187 TITANIUM OR .250 MILD STEEL PLATED

SPRINT CAR BRAKE ACCESSORIES

SHIFTER CABLE BRACKET



HRP8001
HRP8001.TIT
 3/8 THRU HOLE FOR BOLT
 SHIFTER CABLE BRACKET

SHIFTER CABLE BRACKET OLD STYLE WINTERS REAR END



HRP8008
 OLD STYLE WINTERS
 7/16 FINE THREAD
 SHIFTER CABLE BRACKET



**HEAVY DUTY SHIFTER
 CABLE BRACKET**
HRP8001.HD
 1/8 THICK WELDED SHIFTER CABLE BRKT



**SHIFTER CABLE
 BRACKET MIDGET**
HRP8009
 WINTERS STYLE MIDGET REAR END
 THRU HOLES
 SHIFTER CABLE BRACKET



SURE LOCK SHIFTER CABLE
HRP8118 Shifter Cable
HRP8119 Cable End



#5H BOBBY HAWKS JACKSONVILLE,IL



WILWOOD REAR BRAKE PADS & SPACERS



SUPERLITE PADS
 WIL15A-5735K
.40 SPACER
 HRP4096-40
.125 SPACER
 HRP4096-125
DYNALITE PADS
 WIL15A-5769K
.50 SPACER
 HRP4097-50
.125 SPACER
 HRP4097-125



BRAKEMAN REAR BRAKE PADS & SPACERS

F-4 #2 PADS
 BM6-0203R
.40 SPACER
 HRP4096-40
.125 SPACER
 HRP4096-125



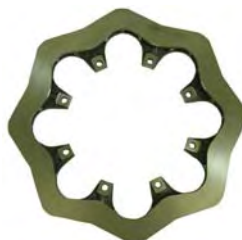
**OTHER COMPOUNDS ALSO
 AVAILABLE**

INBOARD BRAKE COMPONENTS



WILWOOD REAR CALIPERS & ROTORS

DYNALITE INBOARD CALIPER
 WIL120-4953
.810 VENTED ROTOR 12" DIA
 WIL160-8136
.301 T-LOC ROTOR 11" DIA
 WIL160-2084
T-LOC BOLT KIT
 WIL230-5567
570 DEGREE BRAKE FLUID
 WIL290-0633



FLOATING BRAKE CLAMP

WIN6986-01



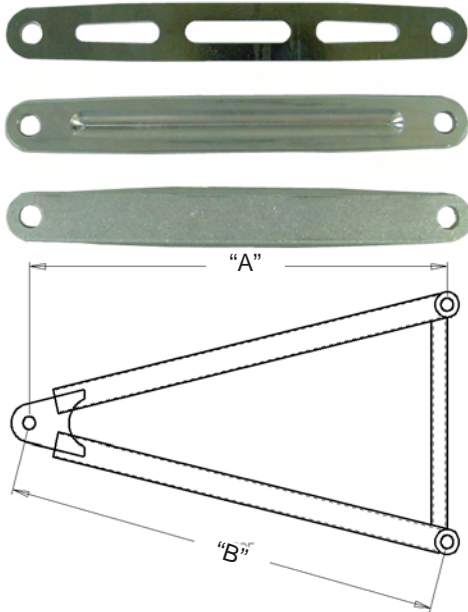
BRAKEMAN REAR CALIPER & ROTORS

F-4 TORNADO CALIPER
 BM002-0180S
REVOLUTION ROTOR
 BM3-1219500D
BRAKEMAN RACING FLUID
 BM7-0577



**CALIPER REBUILD KITS
 AVAILABLE FOR BOTH
 BRAKEMAN AND WILWOOD**

SPRINT CAR BRAKE ACCESSORIES



JACOBS LADDER STRAPS

- HRP8002.4130** 4130 .125 Strap
- HRP8002.ALUM** ALUMINUM .250 Strap
- HRP8002.ALUM.LW** ALUMINUM Light Weight
- HRP8002.TIT** Titanium .125 Strap
- HRP8002** (SPECIAL LENGTH) 4130



TUBULAR JACOBS LADDERS

- HRP8013.4130.S**
TUBULAR JACOBS LADDER W/ STRAPS
13" 13 5/8" 14" AVAILABLE
- HRP8014.TIT.S**
TITANIUM JACOBS LADDER W/ STRAPS
13" 13 5/8" 14" AVAILABLE
- HRP8013.4130**
4130 TUBULAR JACOBS LADDER
NO STRAPS

13" Ladder	"A" 12.50	"B" 13.00
13 5/8" Ladder	"A" 13.125	"B" 13.625
14" Ladder	"A" 13.50	"B" 14.00

- HRP8014.TIT**
TITANIUM TUBULAR JACOBS LADDER
NO STRAPS

MASTER CYLINDER



TILTON MASTER CYLINDERS

- 7/8" MASTER CYLINDER
- 1" MASTER CYLINDER
- REBUILD KIT(SPECIFY SIZE)

BRAKE PEDAL



- | | |
|------------------------------------|---|
| HRP8100
4130 Brake Pedal | HRP8100-RR
4130 Brake Pedal RAISED RAIL |
| HRP8101
TIT Brake Pedal | HRP8101-RR
TIT Brake Pedal RAISED RAIL |

GUN DRILLED LOWER SHAFT

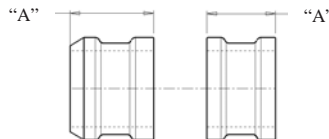


- | | |
|---|--|
| HRP8227
LOWER SHAFT SHORT
INTERNAL | HRP8228
LOWER SHAFT LONG
EXTERNAL |
|---|--|

- HRP8229**
10/10 COUPLER
EXTERNAL STYLE REAR END



AXLE SPACERS



TAPERED SPACERS

- 3/4" Spacer
- 1 1/2" Spacer
- 2" Spacer

STRAIGHT SPACERS

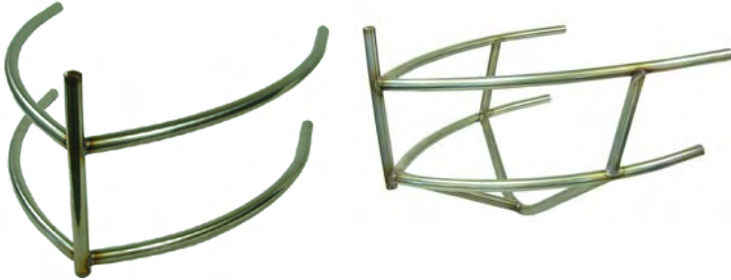
- 3/8" Spacer
- 3/4" Spacer
- 1" Spacer
- 2" Spacer

AXLE SPACERS KIT (10 PCS)



SPRINT CAR BODY & BUMPERS

SPRINT REAR BUMPERS



HRP8077
SPRINT REAR
BUMPER FITS MOST
CHASSIS 1" STAINLESS
STEEL

HRP8077-B
SPRINT REAR BUMPER
FITS MOST CHASSIS
1" STAINLESS STEEL
WITH BASKET

SPRINT NURF BARS



HRP8078 L/H
HRP8079 R/H
SHORTY NURF BARS
FITS MAX STYLE/EAGLE
1" STAINLESS STEEL

HRP8090 L/H
HRP8091 R/H
LONG NURF BARS
FITS MAX STYLE
1" STAINLESS STEEL

HRP8092 L/H
HRP8093 R/H
LONG NURF BARS
FITS GAMBLER/STEALTH/JB
1" STAINLESS STEEL

FIBERGLASS HOOD



**OVER THE DOWN
TUBE SNORKEL
HOOD**
FIB04H-2

**OUTLAW DISHED
NOSE PIECE**
FIB04FH-02



RADIATORS

GRIFFIN
STARTING AT

SALDANA
STARTING AT



FUEL SAFE TANKS

28 GAL COMPLETE
28 GAL SHELL

33 GAL
COMPLETE
33 GAL SHELL



FRONT BUMPERS



HRP8075 ALUMINUM
HRP8076 STAINLESS STEEL



IRA'S #95 BILLY WARREN



TORQUE TUBE HOOP

HRP8065
1" X .065 4130 TUBE
TORQUE TUBE HOOPS

SPRINT CAR COMPONENTS



THROTTLE LINKAGE ARMS
HRP8110 5/16" SHAFT
HRP8111 3/8" SHAFT

1/4" THICK ALUM THROTTLE ARMS
 LIGHT WEIGHT TAPPED 10-32
 HEIMS AVAILABLE STEEL OR ALUM



THROTTLE LINKAGE RODS
 TLK-1

INCLUDES: 2 BELL CRANKS, 6 ROD ENDS
 WITH JAM NUTS, AND 3 LINKAGE RODS



THROTTLE PEDAL

HRP8105
 4130 Long Throttle Pedal
HRP8106
 TIT Long Throttle Pedal

HRP8107
 4130 Short Throttle Pedal
HRP8108
 TIT Short Throttle Pedal

HEEL RISERS



HRP8062 1 1/8" TALL
HRP8063 1 1/2" TALL

HEEL RISERS
 LIGHTWEIGHT HRP DESIGN
 2 SIZES AVAILABLE



OIL TANK MOUNT
HRP8003

.125 6061 ALUM OIL TANK MOUNT
 COMPLETE WITH 2 CLAMPS
HRP7030 CLAMP ONLY

REAR MOTOR PLATES



HRP8024
 SPRINT CAR REAR MAX STYLE/EAGLE
 ALUMINUM MOTOR PLATE NO CUT OUTS
 3/8" THICK 6061 ALUM

HRP8025
 SPRINT CAR REAR MAX STYLE/EAGLE
 ALUMINUM MOTOR PLATE W/CUT OUTS
 3/8" THICK 6061 ALUM

HRP8026
 SPRINT CAR REAR MAX STYLE/EAGLE
 MAG MOTOR PLATE
 3/8" THICK MAGNESIUM



HRP8023
 SPRINT CAR REAR SCHNEE
 MAG MOTOR PLATE
 3/8" THICK MAGNESIUM

*OTHER APPLICATION AVAILABLE!

*ALL MOTOR PLATES AVAILABLE IN
 CHEVROLET, MOPAR, & FORD BOLT
 PATTERNS

HRP8017.MS RACER
 SPRINT CAR REAR MOTOR PLATE
 3/8" THICK MILD STEEL
 APPROX 28 LBS.



DANNY SCHLAFER PDTR 2005 CHAMPION

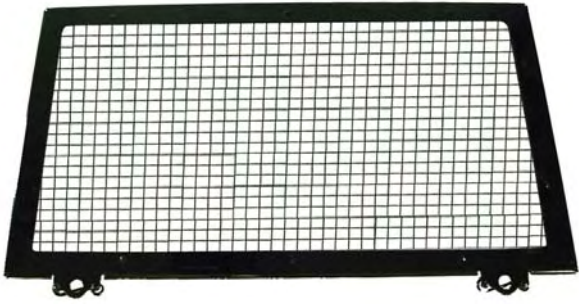


ALUM FRONT MOTOR PLATES

HRP8027 RACER
 FRONT ALUM MOTOR MOUNT
HRP8027.MS RACER
 FRONT STEEL MOTOR MOUNT

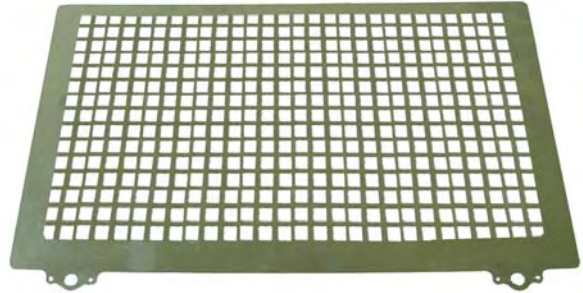
SPRINT CAR COMPONENTS

ROCK SCREEN



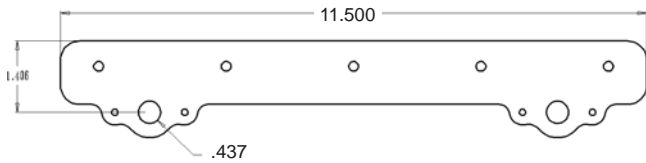
HRP8067
ROCK SCREEN WITH SS WIRE
MESH .050 THICK 6061 ALUM FRAME

ROCK SCREEN



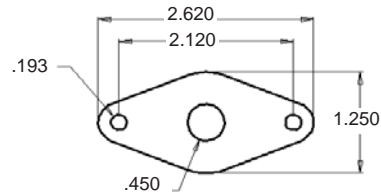
HRP8066
FLAT ROCK SCREEN
.050 THICK 6061 ALUM
USED IN HRP ALUM HOOD

ALUMINUM HOOD PLATES



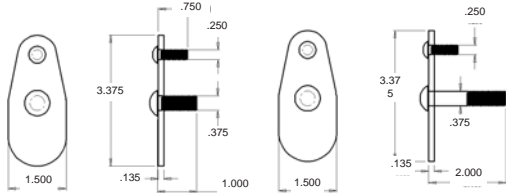
HRP8007
SPRINT HOOD PLATE
.040 THICK 6061 ALUM

ALUMINUM HOOD SAVER



HRP8010V
HOOD PLATES
FIX THOSE NASTY HOLES
IN YOUR FIBERGLASS
MAT: .030 ALUM

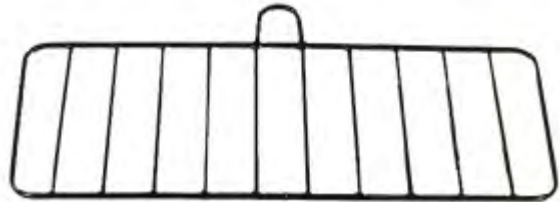
FUEL CELL MOUNT BRKTS



HRP8019
INTERNAL FUEL TANK MOUNTS
.375 MOUNTING BOLTS
SOLD AS A SET - 4PCS
2 TOP AND BOTTOM PLATES



MIDGET ROCK SCREENS

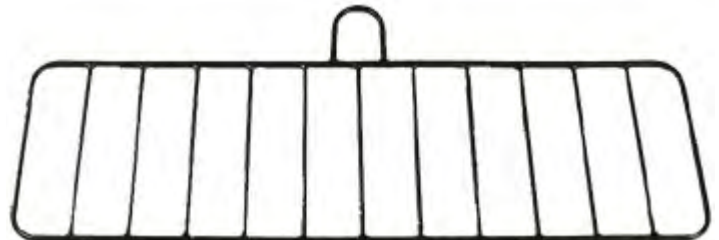


MIDGET STEEL
HRP8069M
.250 4130 ROD
POWDER COATED BLACK



NCRA FEATURE WINNER GARRY LEE MAIER

SPRINT CAR ROCK SCREENS



SPRINT TITANIUM
HRP8068
.187 TITANIUM

SPRINT STEEL
HRP8069
.250 4130 ROD
POWDER COATED BLACK

SPRINT CAR BODY PANELS



HRP8304



HRP8300
HRP8301



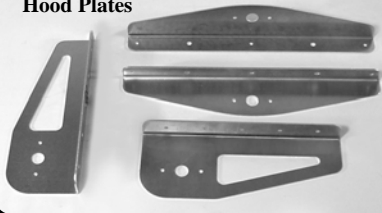
HRP8319



HRP8330

LEFTSIDE CAGE VISOR

Hood Plates



MSD BOX MOUNT

* MSD BOX MOUNTS DZUS BUTTONS
LIGHT WEIGHT .050 ALUM
HRP8360

ALUM BODY PANELS, RADIATOR MOUNTS, ROCK SCREENS, FLOOR PANS ALUMINUM BODY PANEL

- HRP8300 Air Box Channel Max Style\Eagle
- HRP8301 Air Box Front Panel Max Style\Eagle
- HRP8302 Air Box Channel Stealth
- HRP8303 Air Box Front Panel Stealth
- HRP8304 Dash Max Style/Eagle
- HRP8305 Cage Panel Triangle (no holes)LH
- HRP8306 Cage Panel Triangle (no holes)RH
- HRP8310 Side Panel LH Max Style/Eagle 20x24
- HRP8311 Side Panel RH Max Style/Eagle 20x24
- HRP8312 Side Panel LH Long 24x36
- HRP8313 Side Panel RH Long 24x36
- HRP8314 Floor Pan Stealth Inner
- HRP8315 Floor Pan Wrap F&B .050 Alum
- HRP8316 Floor Pan Wrap F&B .080 Alum
- HRP8317 Floor Pan Inside .050 Alum
- HRP8318 Floor Pan Wrap 4 Sides
- HRP8319S Short Visor
- HRP8319L Long Visor
- HRP8334 Under Seat Panel
- HRP8335 Under Seat Kick Panel

STEEL BODY PANELS

- HRP8320 Air Box Channel Max /Eagle Steel
- HRP8321 Air Box Front Panel Max /Eagle Steel
- HRP8322 Floor Pan Wrap F&B Steel
- HRP8323 Floor Pan Wrap Inside Steel
- HRP8324 Floor Pan Wrap 4 Sides Steel
- HRP8325 Side Panels 20 x 24 LH Steel .030
- HRP8326 Side Panels 20 x 24 RH Steel .030
- HRP8327 Side Panels 20 x 36 LH Steel .030
- HRP8328 Side Panels 20 x 36 RH Steel .030

BRACKETS & MOUNTS

- HRP8066 Rock Screen
- HRP8067 Rock Screen With Wire Mesh
- HRP8329 Header Guards
- HRP8351 RH Hood Plate
- HRP8352 Top Hood Plate (Sprint)
- HRP8353 Top Hood Plate (Midget)
- HRP8359 HRP Eagle Dash (Mounts Below Parts)
- HRP8360 MSD Mount
- HRP8361 Gauge Plate
- HRP8362 Tel-Tac Plate with Brackets
- HRP8365 Shock Guard 6" Super Shock
- HRP8366 Shock Guard 7" & 8" Super Shock
- HRP8368 Fume Guard LH
- HRP8369 Fume Guard RH



Shock Guards

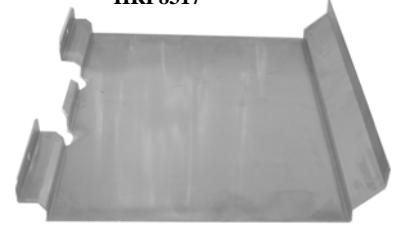


SPRINT GAUGE MOUNT PLATE

HRP8361 RACER

SPRINT GAUGE MOUNT
WITH IGNITION SWITCH HOLE

HRP8317



HRP8310



HRP8311



HRP8305



HRP8306



TEL-TAC DASH MOUNT BRACKETS

HRP8362 RACER

TEL-TAC DASH MOUNT PLATE
WITH MOUNTING ANGLES

STEERING COMPONENTS

KSE STEERING COMPONENTS



- KSE.0001** STEERING GEAR GEN-2
- KSE.0002** P/S PUMP
- KSE.0003** QUICK RELEASE

POWER STEERING RESERVOIR



HRP8020

MAT: .060 ALUM
* -8 INLET OR -10 INLET

* STANDARD W/-4 RETURN OR WITH-OUT #4 RETURN

TOP STEERING PLATE



HRP8298 RACER
TOP PLATE STEERING BOX LONG

HRP8299 RACER
TOP PLATE STEERING BOX
SHORT

HRP8285 RACER
TOP PLATE STEERING LONG
WITH SIDE SHUT OFF

HRP8286 RACER
TOP PLATE STEERING SHORT
WITH CENTER SHUT OFF



HALF GEAR MOUNTS

HRP8287
HALF GEAR MOUNT GEN 2

HRP8288
HALF GEAR MOUNT STD HALF GEAR

DISHED STEERING WHEELS

OUR 3" DISHED WHEEL WILL GET YOU THE COMFORT YOU NEED!



HRP8029-875
7/8" DIA GRIP
15 DIA WHEEL DIA.
3" DISH WHEEL

HRP8029-1125
1 1/8" DIA GRIP
15 DIA WHEEL DIA.
3" DISH WHEEL

HRP8029.1250
1 1/4" DIA GRIP
15 DIA WHEEL DIA.
3" DISH WHEEL

FLAT STEERING WHEELS

IF WE DON'T HAVE A WHEEL FOR YOU NO ONE WILL!



HRP8028-875-15
7/8" DIA GRIP
15 DIA WHEEL DIA.
FLAT WHEEL

HRP8028-1125-15
1 1/8" DIA GRIP
15 DIA WHEEL DIA.
FLAT WHEEL

HRP8028.1250-15
1 1/4" DIA GRIP
15 DIA WHEEL DIA.
FLAT WHEEL

HRP8028.1250-13
1 1/4" DIA GRIP
13 DIA WHEEL DIA.
FLAT WHEEL

HRP8028.1250-17
1 1/4" DIA GRIP
17 DIA WHEEL DIA.
FLAT WHEEL

TIE & RADIUS RODS AND HEIMS

RADIUS RODS-TIE RODS

1" DIA ALUMINUM

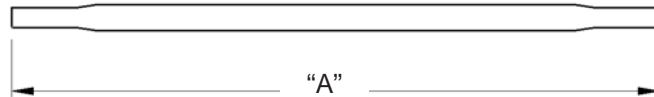
HRP4310
10+
* 1" OD 6061 ALUM
* SWEDGED ALUM RODS
* LENGTH 26" AND UNDER
* ADD LENGTH TO PART #

1 1/8" DIA ALUMINUM

HRP4311
10+
* 1 1/8" OD 6061 ALUM
* SWEDGED ALUM RODS
* LENGTH 26" AND UNDER
* ADD LENGTH TO PART #

1 1/4" DIA ALUMINUM

HRP4312
10+
* 1 1/4" OD 6061 ALUM
* SWEDGED ALUM RODS
* LENGTH OVER 26"
* ADD LENGTH TO PART #



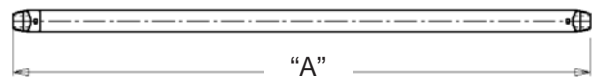
STEERING ROD ENDS

HRP3201W LH
FITS 1 1/8" .058
HRP3202W RH
FITS 1 1/8" .058
HRP3203W LH
FITS 1" .058
HRP3204W LH
FITS 1" .058

HRP8050
10+
* 1" OD X .058 4130 TUBE
* NICKEL PLATED
* WELDED IN ENDS
* ADD LENGTH TO PART #

HRP8048
10+
* 1 1/8" OD X .058 4130 TUBE
* NICKEL PLATED
* WELDED IN ENDS
* ADD LENGTH TO PART #

STEERING RODS



STEEL HEIMS

- CMX8 1/2 x 1/2
- CMXL8 1/2 x 1/2 Left Hand
- CMX10-8 5/8 x 1/2
- CMXL10-8 5/8 x 1/2 Left Hand
- CMX10 5/8 x 5/8
- CMXL10 5/8 x 5/8 Left Hand
- CMX12 3/4 x 3/4
- CMXL12 3/4 x 3/4 Left Hand



CHROMOLY HEIMS

- RSMX8T 5/8 x 1/2
- RSMXL8T 5/8 x 1/2 Left Hand



FEMALE HEIMS ALUM

- ALJF3 10-32
- ALJFL3 10-32 Left Hand
- ALJF4 1/4
- ALJFL4 1/4 Left Hand
- ALJF5 5/16
- ALJFL5 5/16 Left Hand
- ALJF6 3/8
- ALJFL6 3/8 Left Hand

MALE HEIMS ALUM

- ALJM3 10-32
- ALJML3 10-32 Left Hand
- ALJM4 1/4
- ALJML4 1/4 Left Hand
- ALJM5 5/16
- ALJML5 5/16 Left Hand
- ALJM6 3/8
- ALJML6 3/8 Left Hand
- ALRSM8 5/8 x 1/2
- ALRSM8L 5/8 x 1/2 Left Hand



ALUMINUM JAM NUTS

SIZE	PRICE
#10	.30
1/4	.40
5/16	.50
3/8	.50
1/2	.60
5/8	.75

STEEL JAM NUT

SIZE	PRICE
#10	.20
1/4	.30
5/16	.40
3/8	.40
1/2	.50
5/8	.65

L/H & R/H AVAILABLE



TERRY McCARL
5 TIME KNOXVILLE CHAMP



SPRINT SHOCK PINS & STUDS

HRP8401

8 PCS TIT
SHOCK PIN KIT
YOUR CHOICE OF 8 STUDS

HRP8401

8 PCS 4130
SHOCK PIN KIT
YOUR CHOICE OF 8 STUDS



HRP8400

8 PCS ALUM
SHOCK PIN KIT
YOUR CHOICE OF 8 STUDS



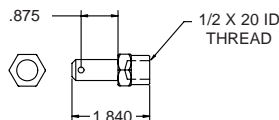
HRP5349

ALUMINUM WASHER
FOR ALUM STUDS



HRP8409

RUE CLIP
FOR ALUM STUDS

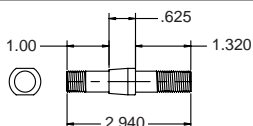


HRP8411

ALUMINUM ID THREAD
TORSION ARM SHOCK STUD

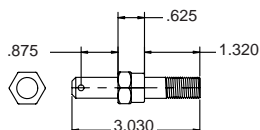
HRP8419

TITANIUM .625 SHOULDER
TORSION ARM SHOCK STUD



HRP8419

4130 .625 SHOULDER
TORSION ARM SHOCK STUD

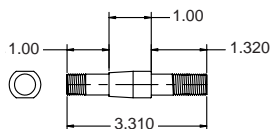


HRP8407

ALUMINUM .625 SHOULDER
TORSION ARM SHOCK STUD

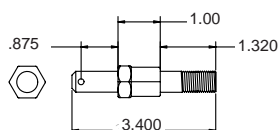
HRP8420

TITANIUM 1.00 SHOULDER
TORSION ARM SHOCK STUD



HRP8420

4130 1.00 SHOULDER
TORSION ARM SHOCK STUD

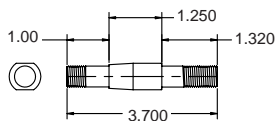


HRP8408

ALUMINUM 1.00 SHOULDER
TORSION ARM SHOCK STUD

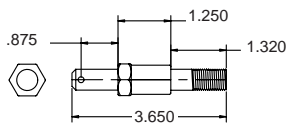
HRP8421

TITANIUM 1.25 SHOULDER
TORSION ARM SHOCK STUD



HRP8421

4130 1.25 SHOULDER
TORSION ARM SHOCK STUD

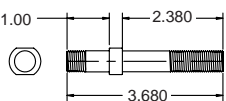


HRP8409

ALUMINUM 1.25 SHOULDER
TORSION ARM SHOCK STUD

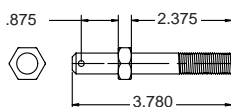
HRP8422

TITANIUM 2.375 SHANK
CHASSIS SHOCK STUD



HRP8422

4130 2.375 SHANK
CHASSIS SHOCK STUD

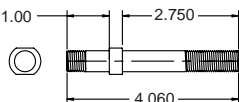


HRP8412

ALUMINUM 2.375 SHANK
CHASSIS SHOCK STUD

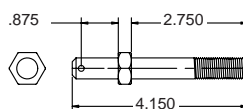
HRP8423

TITANIUM 2.75 SHANK
CHASSIS SHOCK STUD



HRP8423

4130 2.75 SHANK
CHASSIS SHOCK STUD

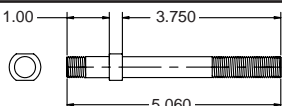


HRP8413

ALUMINUM 2.75 SHANK
CHASSIS SHOCK STUD

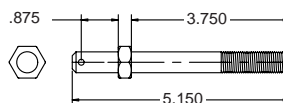
HRP8425

TITANIUM 3.75 SHANK
CHASSIS SHOCK STUD



HRP8425

4130 3.75 SHANK
CHASSIS SHOCK STUD



HRP8415

ALUMINUM 3.75 SHANK
CHASSIS SHOCK STUD



SPRINT CAR TORSION ARMS & BARS

TORSION STOPS & TORSION ARMS



HRP8240
HRP8241
HRP8242
HRP8243

FRONT TORSION ARMS

LH FRONT ARM POCKETED
 LH FRONT ARM NON-POCKETED
 RH FRONT ARM POCKETED
 RH FRONT ARM NON-POCKETED

REAR TORSION ARMS

HRP8250
HRP8251
HRP8252
HRP8253
RSMX8T
JAM-RH58S

LH REAR ARM EAGLE/MAXIM
 RH REAR ARM EAGLE/MAXIM
 LH REAR ARM JB SLANT STACK
 RH REAR ARM JB SLANT STACK
 4130 HEIM1/2" X 5/8"
 STEEL 5/8" JAM NUT

TORSION STOPS

HRP8204 ALUM STOP 1 3/4"
HRP8205 STEEL STOP 1 3/4"
HRP8206 TITANIUM STOP 1 3/4"
HRP8207 ALUM STOP 2"
HRP8208 STEEL STOP 2"
HRP8209 TITANIUM STOP 2"



JASON "BRACHS" JOHNSON #44 IRA SPRINTER

BUSHINGS



HRP8097 Torsion Bar Bushings Bronze
HRP8098 Torsion Bar Bushings Plastic
HRP8099 Torsion Bar Bushings Alum

TORSION BARS



SAN.0001 Sanders 30" Torsion Bars
DMI.0001 DMI 30" Torsion Bars
TBR.0001 T-BAR 30" Torsion Bars



STEERING ARMS

HRP8265
 LH Combo Arm 3 1/4" Spread
HRP8266
 LH Combo Arm 3 3/4" Spread
HRP8275
 RH Combo Arm 3 1/4" Spread
HRP8265
 RH Combo Arm 3 3/4" Spread



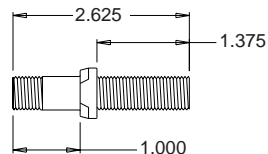
PITMAN ARMS SHORT

HRP8293
 11 Degree Angle Pitman Arm 10 7/8"
HRP8294
 Straight Pitman Arm 10 7/8"

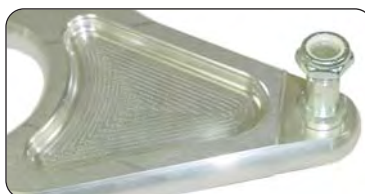
PITMAN ARMS LONG

HRP8295
 11 Degree Angle Pitman Arm 13 1/2"
HRP8296
 Straight Pitman Arm 13 1/2"

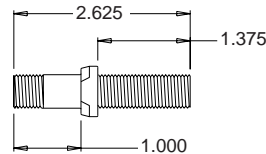
TITANIUM STEERING ARM STUDS



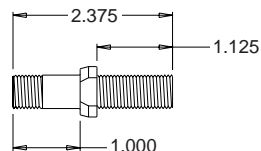
HRP8453
 TITANIUM PITMAN ARM
 STEERING STUD



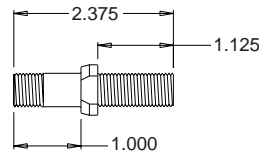
4130 PITMAN ARM STUDS



HRP8452
 4130 PITMAN ARM
 STEERING STUD



HRP8451
 TITANIUM STEERING &
 PITMAN ARM STUD



HRP8450
 4130 STEERING
 PITMAN ARM STUD

SPRINT CAR FRONT END COMPONENTS

FRONT AXLE ASSY

- WIN6476-02 KING PIN W/NUT
- WIN100BK KING PIN SHIM KIT
- WIN3622 SPINDLE STR SNOUT
- MPD14000SHLT MPD SPINDLE STR SNOUT
- WINK3645L WINTERS FRONT HUB LF.
- WINKL3645R WINTERS FRONT HUB RT.
- C8088-LT WELD FRONT HUB LF.
- C8088-RT WELD FRONT HUB RT.



JAY LANDOLT
JACKSONVILLE
RACEWAY



FRONT HUB WRENCHES

HRP6100 WINTERS
FRONT HUB WRENCH
* NO MORE CHANNEL LOCKS
ON YOUR FRONT HUB NUTS!



ALUM. BRAKE BRACKET
HRP109-4

FRONT PADS AND SPACER



WILWOOD FRONT PADS

- WIL15A-5733K
- SPACER .50 THICK
- HRP4095-50
- SPACER .125 THICK
- HRP4095-125



LEFT FRONT BRAKE BRACKET
HRP8071.187 4130
HRP8072.187 TIT



BRAKEMAN FRONT PADS

- BM6-2019R #2 PAD
- SPACER
- HRPXXXX

OTHER COMPOUNDS AVAILABLE



MPD BRAKE BRACKET
MPD179K21

FRONT BRAKES



WILWOOD FRONT BRAKES

- WILWOOD FRONT CALIPER
- WIL120-4062
- ALUM FRONT ROTOR 10.95"
- WIL160-3329
- ALUM FRONT ROTOR 10.20"
- WIL160-3411
- 570 BRAKE FLUID
- WIL290-0633



MPD 10 1/8"
ALUM ROTOR
MPD27500AL



BRAKEMAN FRONT BRAKES

- F-1 TORNADO CALIPER
- BM002-0054
- REVOLUTION STEEL ROTOR
- BM3-10750FRTD
- BRAKEMAN RACING FLUID
- BM7-0577

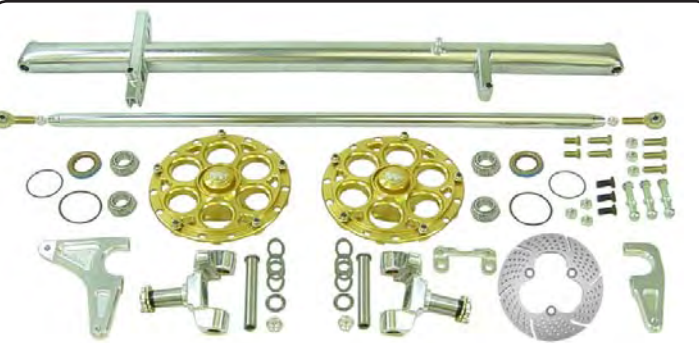


REBUILD KITS FOR ALL
CALIPERS AVAILABLE

SPRINT CAR FRONT END COMPONENTS



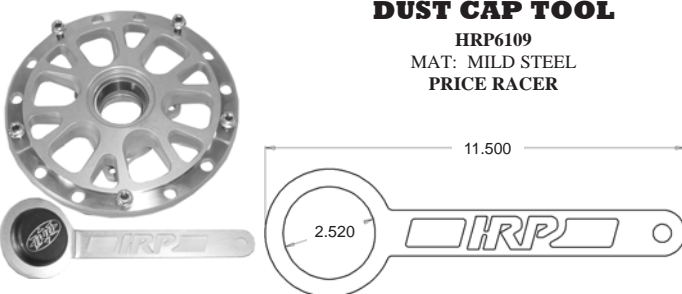
Winters Front Axle Kit
 HRP Axle & Tie Rod, Winters Hubs Spindles & King Pins, Aluminum Rotor, XYZ Arms & Bracket, Grade 8 Bolts (Assembly Req) caliper not included



Weld Front Axle Kit
 HRP Axle & Tie Rod, Weld Hubs, MPD Spindles, Winters King Pins, MPD Aluminum Rotor & Bracket, XYZ Arms Grade 8 Bolts (Assembly Req) caliper not included



FRONT AXLE REAM
 STEPPED REAM EASY TO START .859 DIA
 HRP8285 SPRINT REAM RACER



DUST CAP TOOL
 HRP6109
 MAT: MILD STEEL
 PRICE RACER

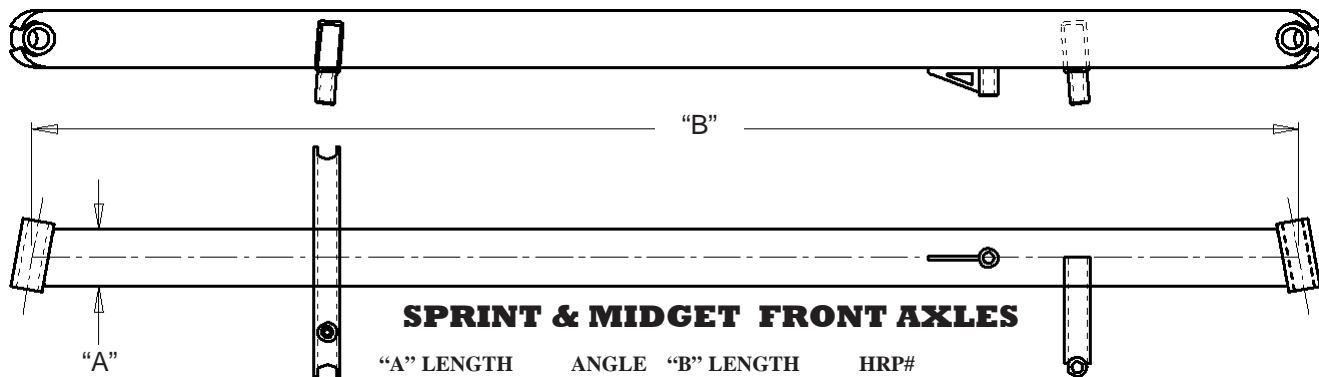
11.500
 2.520



SPRINT FRONT AXLES



MIDGET FRONT AXLES



SPRINT & MIDGET FRONT AXLES

- * MATERIAL: 4130 AXLE TUBE
- * NICKEL PLATED
- * THREADED PANHARD BAR STUD
- * LIGHT WEIGHT
- * THRU BOLTS FOR SHOCKS

"A" LENGTH	ANGLE	"B" LENGTH	HRP#
2.25 OD SPRINT	10/10	50"	HRP8030
2.25 OD SPRINT	10/10	52"	HRP8031
2.50 OD SPRINT	10/10	50"	HRP8032
2.25 OD SPRINT	8/12	50"	HRP8033
2.50 OD SPRINT	8/12	50"	HRP8034
1.75 OD MIDGET	9/9		HRP8038
1.75 OD MIDGET	9/9		HRP8039

SPRINT CAR COMPONENTS



SCHOENFELD HEADERS
OPEN COMP AND SPEC
AVAILABLE

1 3/4" STANDARD PORT (MSA LEGAL)
 SCH1014L
 1 7/8"-2" STEPPED SPREAD PORT
 SCH1055LVDN
 2" SPREAD PORT
 SCH1056LDN

SCHOENFELD
MUFFLERS
 KNOXVILLE, WoO,
 ALLSTAR, IRA
 LEGAL
 SCH112535



SCS GEARS



ALL RATIOS
 5 OR MORE SETS



TEL-TAC

TEL-TAC II
 TEL TAC OTP



WHEEL BLEEDERS

12 PC. ALUM. KIT

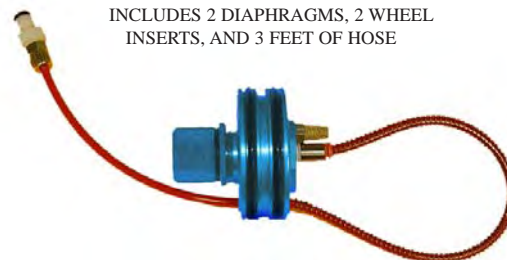
KCM13-505
 30 PSI PUMP
 KCP713-300
 ALUMINUM QUICK
 DISCONNECT
 KCP713-258-1

DIAPHRAGM BLEEDERS

SOLD IN
 PAIRS

DIAPHRAGM REBUILD KIT

INCLUDES 2 DIAPHRAGMS, 2 WHEEL
 INSERTS, AND 3 FEET OF HOSE



left DARREN STEWART #91
 ASCS FEATURE WINNER



RIGHT TOMMY ROCKWELL
 JACKSONVILLE RACEWAY

SPRINT CAR COMPONENTS

AIR BOX BASE



3 SIZES

- HRP-----A 5.25 WIDE
- HRP-----B 6.50 WIDE
- HRP-----C 7.25 WIDE

K&N AIR BOX COMPONENTS

K&N AIR BOX TOP ONLY KN1001



SEALS PLATES ALUMINUM ALTERNATIVE



SEALS-IT RUBBER GROMMETS

KINSER AIR BOX



- FIBERGLASS
940-11200
- CARBON
FIBER 940-11202

K&N FILTER OIL AND CLEANER



- 12 OZ. OIL
KNE99-0516
- 12 OZ. CLEANER
KNE99-0606
- 1 GAL
KN99-0635



MUD-X

- 1 QT
MX100
- 1 GAL
MX101
- 6 GALS (CASE)
MX102

ROLL BAR PADDING

HIGH DENSITY

- 1 1/4 TUBE
ALL-14110
- 1 1/2 TUBE
ALL-12111



ULTRASHIELD TEAROFFS

SOLD BY THE BOX
(200 TEAROFFS)

REPLACEMENT POSTS
ALUMINUM

RACING OPTICS

SLEEVE
(35 TEAROFFS)
BOX
(5 SLEEVES 175
TEAROFFS)



CALL FOR YOUR STYLE



SAFETY EQUIPMENT



BELTS
PULL UP & WRAP AROUND



BELTS
PULL DOWN & WRAP AROUND

CROW SAFTY BELTS & EQUIPMENT

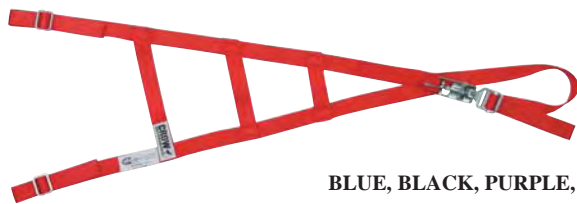
-Call for All Crow Belts and Accessories
-Belts Available in Red, Black, Blue, Purple, & Gray



SPRINT CAR DRAG LINK STRAP
RACER



SPRINT CAR ENGINE



SPRINT CAR WINDOW NET

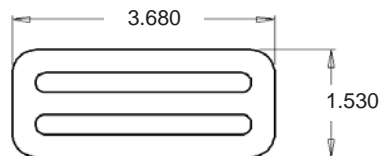
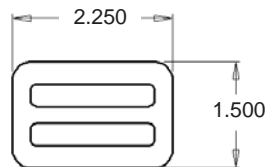
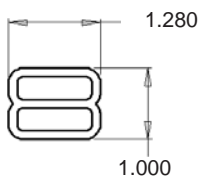
BLUE, BLACK, PURPLE, GRAY



RACING GLOVES
2 LAYER
NOMEX

COLOR	SMALL	MEDIUM	LARGE	X-LARGE
RED	11752	11762	11772	11782
BLUE	11753	11763	11773	11783
BLACK	11754	11764	11774	11784

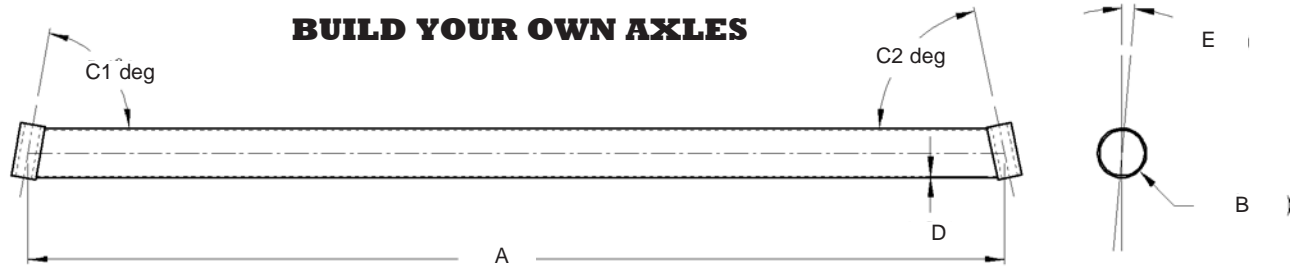
TITANIUM SEAT BELT PLATES



- HRP8200** WINDOW NET PLATE
- HRP8201** SUB BELT PLATE
- HRP8202** LAP & SHOULDER BELT PLATE

* TIT BELT PLATES ARE
MADE FROM GRADE 6/4
TIT & CORNERS ARE
MACHINED SMOOTH

SPRINT FRONT AXLE TUBES



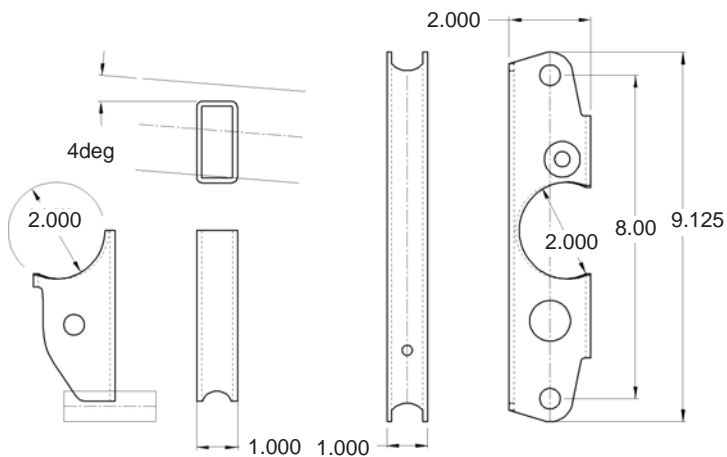
HRP'S PRE-CUT AXLE TUBES ARE LASER CUT AND ENDS ARE PARTIALLY FORMED TO FIT KING PIN BOSSES. WE HAVE A LARGE STOCK OF THESE ITEMS AND OTHERS ARE MADE TO ORDER. CALL FOR SIZES NOT LISTED! WE CAN ALSO CUT CUSTOMER SUPPLIED MATERIAL!

HRP #	DESCRIPTION	A	B	C-1	C-2	D	E	
HRP3114W	1.75 MIDGET AXLE	46"	1.75 OD	9	12	.120 wall	0	
HRP3115W	1.75 MIDGET AXLE	41.5"	1.75 OD	9	9	.120 wall	0	
HRP3116W	1.75 MIDGET AXLE	44.0"	1.75 OD	9	9	.120 wall	0	
HRP3117W	1.75 MIDGET AXLE	44.0"	1.75 OD	9	12	.120 wall	0	
HRP3118W	1.75 MIDGET AXLE	45.0"	1.75 OD	9	9	.120 wall	0	
HRP3119W	1.75 MIDGET AXLE	47"	1.75 OD	8	12	.120 wall	0	
HRP3120W	1.75 MIDGET AXLE	49"	1.75 OD	8	12	.120 wall	0	
HRP3121W	2.25 OD AXLE TUBE	50"	2.25 OD	8.5	12	.120 wall	0	
HRP3122W	2.25 OD AXLE TUBE	50"	2.25 OD	8.5	12	.120 wall	0	
HRP3123W	2.25 OD AXLE TUBE	50"	2.25 OD	10	10	.120 wall	0	
HRP3124W	2.25 OD AXLE TUBE	52"	2.25 OD	10	10	.120 wall	0	
HRP3125W	2.25 OD AXLE TUBE	50"	2.25 OD	8.5	12	.120 wall	6	
HRP3126W	2.25 OD AXLE TUBE	52"	2.25 OD	8.5	12	.120 wall	4	
HRP3127W	2.25 OD AXLE TUBE	49"	2.25 OD	10	10	.120 wall	0	
HRP3128W	2.50 OD AXLE TUBE	50"	2.500 OD	10	10	.095 wall	0	
HRP3129W	2.50 OD AXLE TUBE	50"	2.500 OD	10	12	.095 wall	0	
HRP3130W	2.50 OD AXLE TUBE	50"	2.500 OD	8.5	12	.095 wall	4	
HRP3131W	2.50 OD AXLE TUBE	52"	2.50 OD	8.5	12	.095 wall	0	
HRP3132W-A	2.25 OD AXLE TUBE	51"	2.25 OD	5	5	.120 wall	0	
HRP3132W-B	2.25 OD AXLE TUBE	52"	2.25 OD	5	5	.120 wall	0	
HRP3133W	2.25 OD AXLE TUBE	54"	2.25 OD	10	10	.120 wall	0	
HRP3134W	1.75 OD AXLE TUBE	44"	1.75 OD	8	11	.120 wall	3	
HRP3135W	2.250 OD AXLE TUBE	53"	2.25 OD	10	10	.120 wall	0	
HRP3136W	2.250 OD AXLE TUBE	52"	2.25 OD	10	12	.120 wall	0	
HRP3137W	2.250 OD AXLE TUBE	50"	2.25 OD	10	12	.120 wall	0	
HRP3138W	2.375 OD AXLE TUBE	50"	2.375 OD	12	9	.095 wall	0	
HRP3139W	2.375 OD AXLE TUBE	50"	2.375 OD	10	10	.095 wall	0	
HRP3140W	2.375 OD AXLE TUBE	52"	2.375 OD	10	10	.095 wall	0	
HRP3143W	2.25 OD AXLE TUBE	53"	2.25 OD	10	12	.120 wall	0	
HRP3144W	1.75 OD AXLE TUBE	46"	1.75 OD	9	12	.120 wall	0	
HRP3145W	2.25 OD AXLE TUBE	53"	2.25 OD	8.5	12	.120 wall	0	
HRP3147W	1.75 OD AXLE TUBE	43.75"	1.75 OD	2	12	.120 wall	0	
HRP3148W	1.75 OD AXLE TUBE	48.75"	1.75 OD	8	6	.120 wall	0	
HRP3149W	1.75 OD AXLE TUBE	47"	1.75 OD	8	6	.120 wall	0	

STOCK AXLE BRACKETS

FRONT AXLE BRACKETS

2.000 DIAMETER TUBE



HRP3100W

8.00 SPLIT AXLE

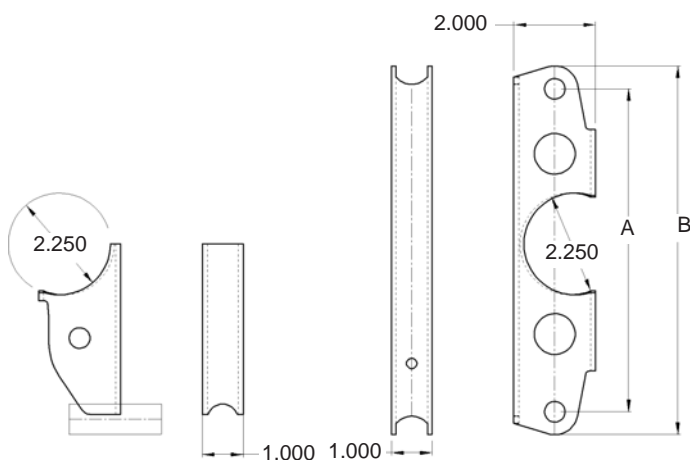
FRONT AXLE BRACKET
2.000 DIA AXLE TUBE
4 DEGREE TWIST
WITH ROLLER HOLE
MAT: 2" X 1" X .120 REC TUBE

HRP3100W.LH L/H BRKT
HRP3100W.RH R/H BRKT
HRP3100W SET

QUANTITY	
1 TO 19	
20 PLUS	

FRONT AXLE BRACKETS

2.250 DIAMETER TUBE



HRP3105W

8.25 SPLIT AXLE BRACKETS

A=8.25 B=9.375
FRONT AXLE BRACKET
2.250 DIA AXLE TUBE
4 DEGREE TWIST
MAT: 2" X 1" X .120 REC TUBE

HRP3105W.LH L/H BRKT
HRP3105W.RH R/H BRKT
HRP3105W SET

HRP3105W

8.25 SPLIT AXLE BRACKETS

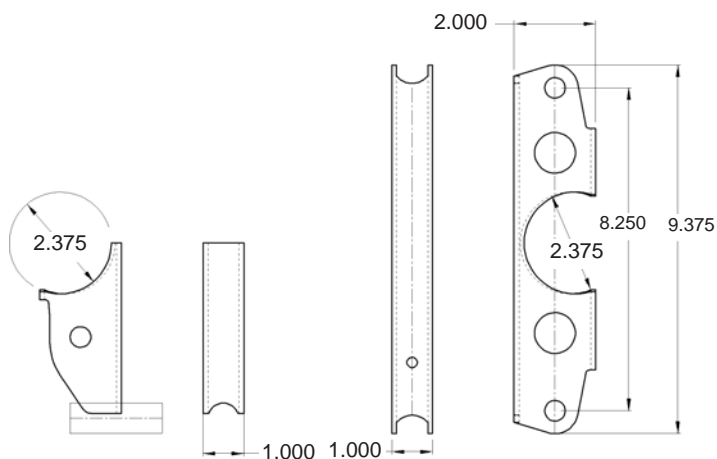
A=8.25 B=9.375
FRONT AXLE BRACKET
2.250 DIA AXLE TUBE
4 DEGREE TWIST
MAT: 2" X 1" X .120 REC TUBE

HRP3105W.LH L/H BRKT
HRP3105W.RH R/H BRKT
HRP3105W SET

QUANTITY	
1 TO 19	
20 PLUS	

FRONT AXLE BRACKETS

2.375 DIAMETER TUBE



HRP3102W

FRONT AXLE BRACKET

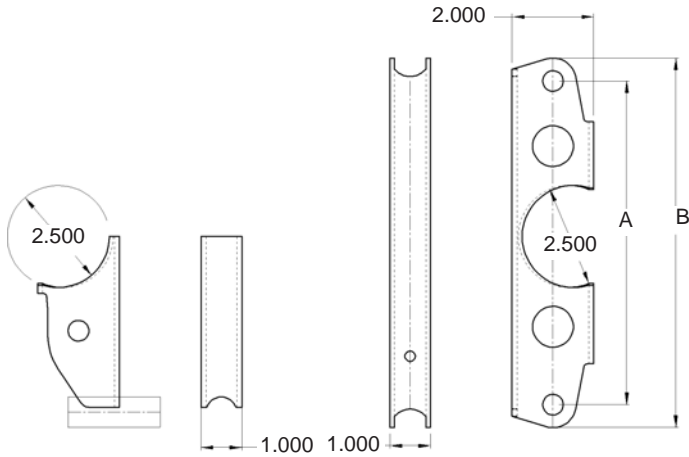
2.375 DIA AXLE TUBE
4 DEGREE TWIST
MAT: 2" X 1" X .120 REC TUBE

HRP3102W.LH L/H BRKT
HRP3102W.RH R/H BRKT
HRP3102W SET

QUANTITY	
1 TO 19	
20 PLUS	

STOCK AXLE BRACKETS

FRONT AXLE BRACKETS 2.500 DIAMETER TUBE



HRP3103W
8.00 SPLIT AXLE BRACKETS
 A=8.00 B=9.125
 FRONT AXLE BRACKET
 2.500 DIA AXLE TUBE
 4 DEGREE TWIST
 MAT: 2" X 1" X .120 REC TUBE

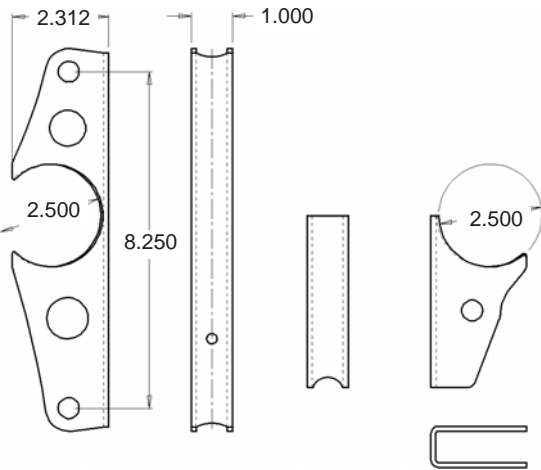
HRP3103W.LH L/H BRKT
HRP3103W.RH R/H BRKT
HRP3103W SET

HRP3108W
8.25 SPLIT AXLE BRACKETS
 A=8.25 B=9.375
 FRONT AXLE BRACKET
 2.500 DIA AXLE TUBE
 4 DEGREE TWIST
 MAT: 2" X 1" X .120 REC TUBE

HRP3108W.LH L/H BRKT
HRP3108W.RH R/H BRKT
HRP3108W SET

QUANTITY	
1 TO 19	
20 PLUS	

FRONT AXLE BRACKETS 2.500 DIAMETER TUBE

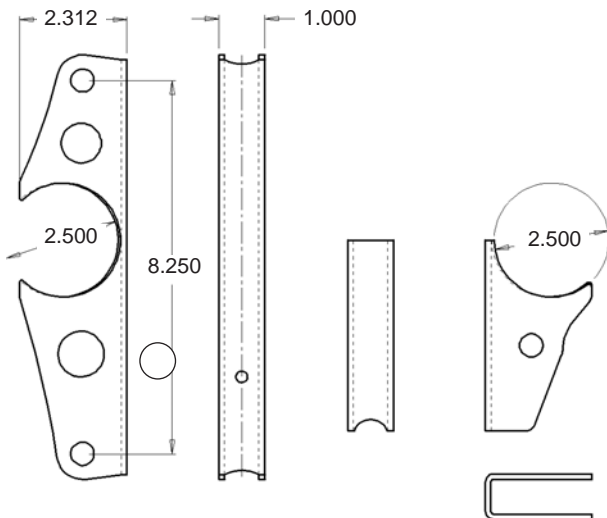


HRP3104W
 FRONT AXLE BRACKET
 2.500 DIA AXLE TUBE
 4 DEGREE TWIST
 MAT: 3" X 1" X .120 REC TUBE

HRP3104W-LH L/H BRACKET
HRP3104W-RH R/H BRACKET
HRP3104W SET

QUANTITY	
1 TO 19	
20 PLUS	

FRONT AXLE BRACKETS 2.500 DIAMETER TUBE MAX STYLE



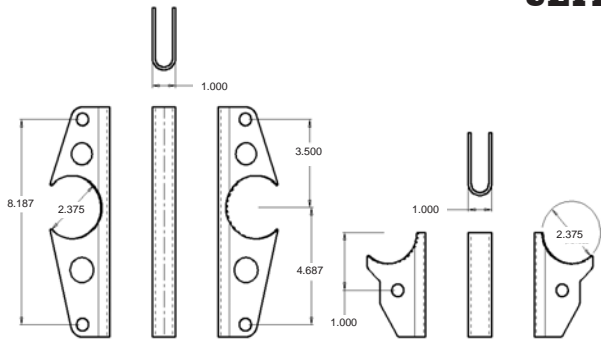
HRP3113MAX
 FRONT AXLE BRACKET
 MAX STYLE
 2.500 DIA AXLE TUBE
 4 DEGREE TWIST
 MAT: 3" X 1" X .120 REC TUBE

HRP3104MAX-LH L/H BRACKET
HRP3104MAX-RH R/H BRACKET
HRP3104MAX SET

QUANTITY	
1 TO 19	
20 PLUS	

STOCK AXLE BRACKETS

ULTRA LW FRONT AXLE BRACKETS 2.375 DIAMETER TUBE



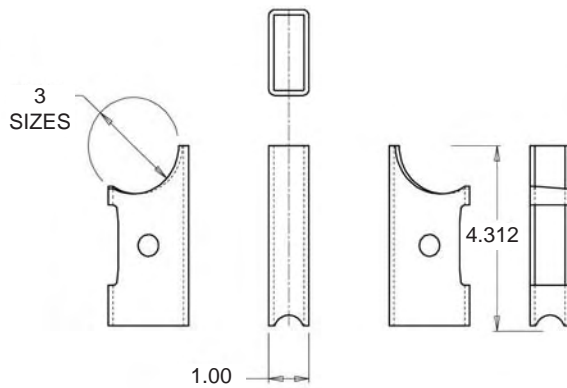
HRP3107W
FRONT AXLE BRACKET
2.375 DIA AXLE TUBE
3 DEGREE TWIST
MAT: .090 MILD STEEL SHEET

HRP3107W-LH L/H BRACKET
HRP3107W-RH R/H BRACKET
HRP3107W SET



QUANTITY	
LH BRKT	
RH BRKT	
SET	

LEFT HAND BRACKETS HEAVY DUTY MOUNT

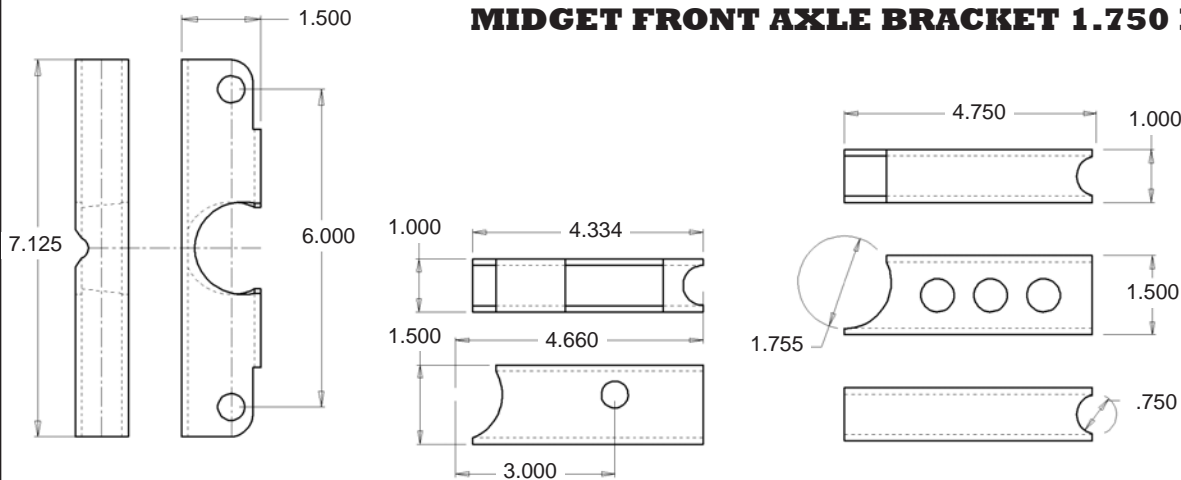


LEFT HAND AXLE BRKT
EXTRA WIDE BOTTOM MOUNT
MAT: 2" X 1" X .120 REC TUBE

HRP3101W.LHHD L/H BRKT 2.250
HRP3102W.LHHD L/H BRKT 2.375
HRP3103W.LHHD L/H BRKT 2.500

QUANTITY	
1-19 PCS	
20 PLUS	

MIDGET FRONT AXLE BRACKET 1.750 DIAMETER



HRP3110W

HRP3111W

HRP3112W

MIDGET AXLE BRACKETS
FRONT AXLE BRACKETS
1.750 DIA AXLE TUBE
4 DEGREE TWIST
1.500 X 1.00 X .120 REC.
MS TUBE

DISCOUNT FOR HIGHER QUANTITIES

CUSTOM AXLE BRACKETS

DISCOUNT FOR HIGHER QUANTITIES

CUSTOM AXLE BRACKET
2 X 1 X .080 4130
20 PCS +
HRP3113W.LH L/H BRKT
HRP3113W.RH R/H BRKT
HRP3113W SET

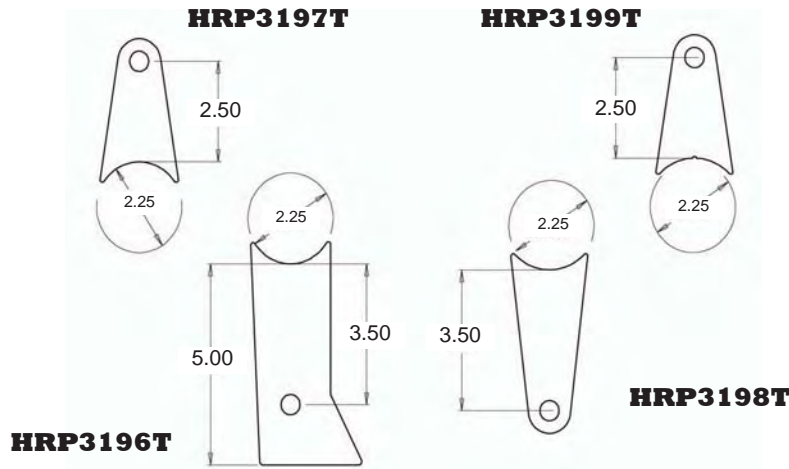
CUSTOM AXLE BRACKET
1.50 X 1 X .065 4130
20 PCS +
HRP3113W.LH L/H BRKT
HRP3113W.RH R/H BRKT
HRP3113W SET

CUSTOM AXLE BRACKET
2.00 X 1 X .110 MILD STEEL
20 PCS +
HRP3113W.LH L/H BRKT
HRP3113W.RH R/H BRKT
HRP3113W SET

CUSTOM AXLE BRACKET
1.50 X 1 X .110 MILD STEEL
20 PCS +
HRP3113W.LH L/H BRKT
HRP3113W.RH R/H BRKT
HRP3113W SET

STOCK AXLE BRACKETS

ASPHALT FRONT AXLE BRACKET 2.250 DIAMETER

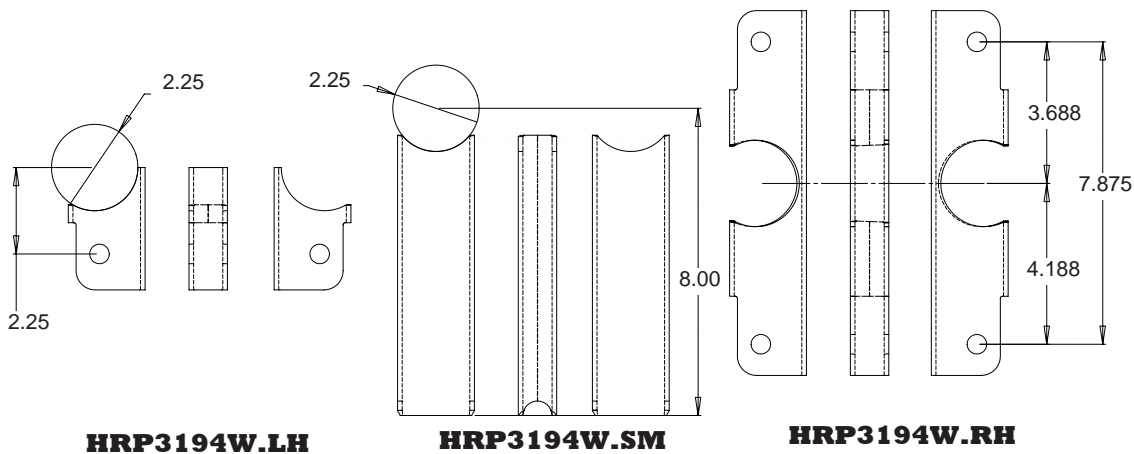


ASPHALT FRONT AXLE BRACKET 2.250 DIAMETER AXLE

2 OF EACH REQ FOR 1 AXLE
MATERIAL: .120 4130

- HRP3196T**
- HRP3197T**
- HRP3198T**
- HRP3199T**

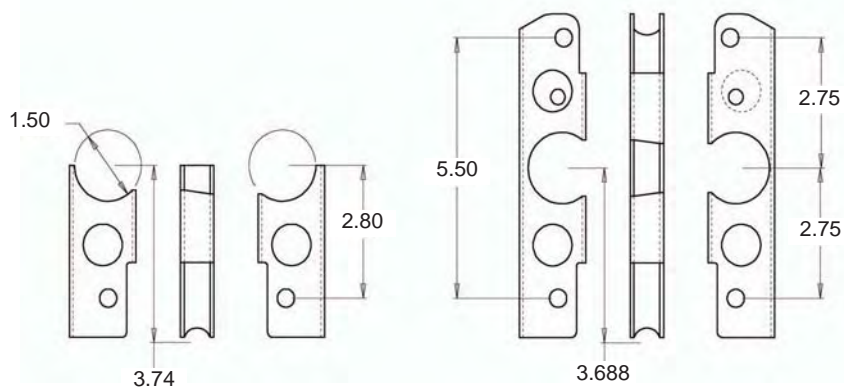
NON-WING AXLE BRACKET 2.250 DIAMETER



**NON WING SPRINT
FRONT AXLE
FRONT AXLE BRACKETS**
2.250 DIA AXLE TUBE
2.00 X 1.00 X .120 REC.
MILD STEEL TUBE

- HRP3194W.LH**
- HRP3194W.RH**
- HRP3194W.SM**

MICRO SPRINT FRONT AXLE BRACKET 1.50 DIAMETER

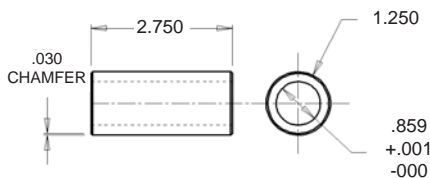


MICRO SPRINT FRONT AXLE BRACKET

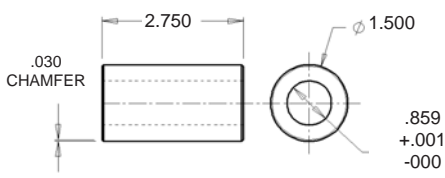
FRONT AXLE BRACKETS
1.50 DIA AXLE TUBE
7 DEGREE TWIST
1.500 X .750 X .080 REC.
MILD STEEL TUBE

- HRP3850W SET**
- HRP3850W-LH**
- HRP3850W-RH**

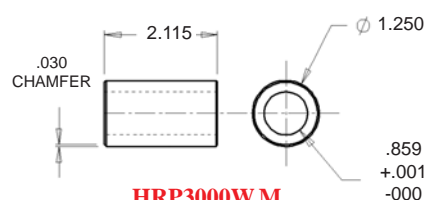
FRONT AXLE TUBE BOSSES



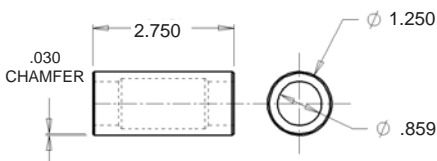
HRP3000W .125
 SPRINT CAR FRONT AXLE
 KING PIN BOSSES.
 READY TO WELD IN AXLE TUBE
 MAT: 1.250 OD 4130 MOLY



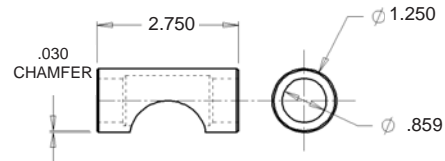
HRP3000W .150
 SPRINT CAR FRONT AXLE
 KING PIN BOSSES.
 READY TO WELD IN AXLE TUBE
 MAT: 1.500 OD 4130 MOLY



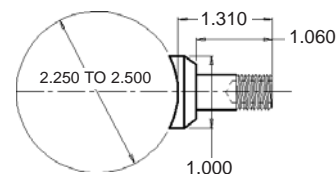
HRP3000W.M
 MIDGET FRONT AXLE
 KING PIN BOSSES.
 READY TO WELD IN AXLE TUBE
 MAT: 1.250 OD 4130 MOLY



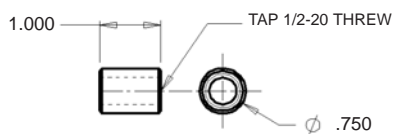
HRP3251
 FRONT AXLE KING PIN BOSSES
 LIGHTWEIGHT ID RELIEF
 READY TO WELD IN AXLE TUBE
 MAT: 1.250 OD 4130 MOLY



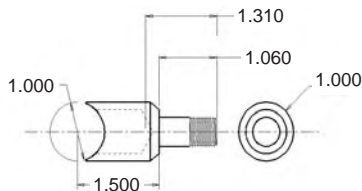
HRP3252
 FRONT AXLE KING PIN BOSSES
 SUPER LIGHTWEIGHT
 READY TO WELD IN AXLE TUBE
 MAT: 1.250 OD 4130 MOLY



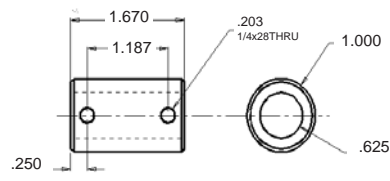
HRP3249
 SPRINT CAR PANARD BOSS
 WELDS TO FRONT AXLE.
 THREADED 1/2"-20
 MAT: 1" 4130



HRP3200W
 FRONT AXLE PANARD
 BAR BOSS THREADED
 MAT: .750 OD X .437 ID



HRP3245
 FRONT AXLE SHOCK BOSS
 FITS SPECIAL HRP3107 AXLE BRKTS
 MAT: 1.00 OD 4130 MOLY

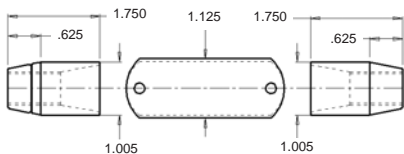


HRP3250
 FRONT AXLE KING PIN BOSS
 MICRO MIDGET
 MAT: 1.00 OD 4130 MOLY

SEE PRICES ON PAGE 38

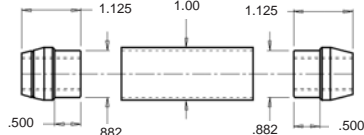
SEE PRICES ON PAGE 38

HRP3201W LH
 SPRINT CAR TIE
 ROD END BOSSES
 LEFT HAND 5/8"-18
 FITS 1.125 OD X .058 TUBE



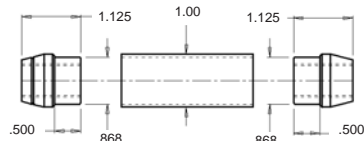
HRP3202W RH
 SPRINT CAR TIE
 ROD END BOSSES
 RIGHT HAND 5/8"-18
 FITS 1.125 OD X .058 TUBE

HRP3203W LH
 SPRINT CAR TIE
 ROD END BOSSES
 LEFT HAND 5/8"-18
 FITS 1.00 OD X .058 TUBE



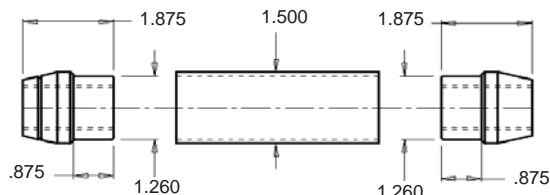
HRP3204W RH
 SPRINT CAR TIE
 ROD END BOSSES
 RIGHT HAND 5/8"-18
 FITS 1.00 OD X .058 TUBE

HRP3214W LH
 SPRINT CAR TIE
 ROD END BOSSES
 LEFT HAND 5/8"-18
 FITS 1.00 OD X .065 TUBE



HRP3215W RH
 SPRINT CAR TIE
 ROD END BOSSES
 RIGHT HAND 5/8"-18
 FITS 1.00 OD X .065 TUBE

HRP3212W LH
 TIE ROD ENDS
 ROD END BOSSES
 LEFT HAND 3/4"-16
 FITS 1.50 OD X .120 TUBE

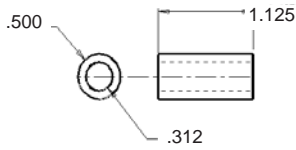


HRP3213W RH
 TIE ROD ENDS
 ROD END BOSSES
 RIGHT HAND 3/4"-16
 FITS 1.50 OD X .120 TUBE

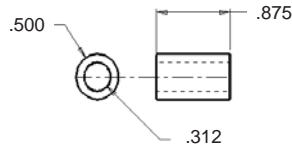
**CUSTOM AND
 OTHER SIZES
 AVAILABLE**



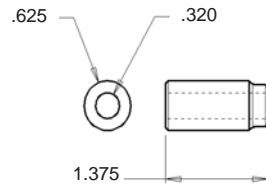
STOCK TUBE BOSSES



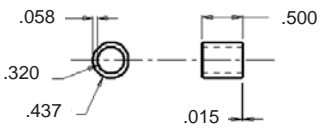
HRP3260
GAS PEDAL, CHASSIS SPUD
MAT: .500 X .156 WALL



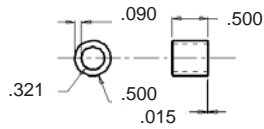
HRP3261
CHASSIS SPUD
GAS PEDAL SPUD
MAT: .500 OD X .156 WALL



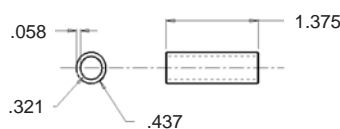
HRP3274
BRAKE PEDAL SPUD
MAT: .625 OD X .156 WALL



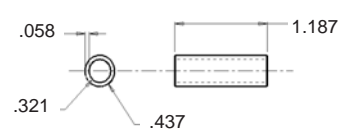
HRP3270
CLAMPING WING SPUD TUBE
2 REQ. PER SPUD
MAT: .437 OD X .058 WALL



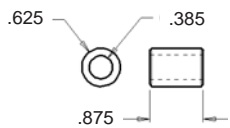
HRP3271
CLAMPING WING SPUD TUBE
2 REQ. PER SPUD
MAT: .500 OD X .090 WALL



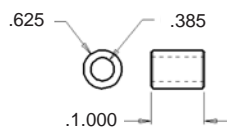
HRP3272
CLAMPING WING SPUD TUBE
1 REQ. PER SPUD
MAT: .437 OD X .321 ID



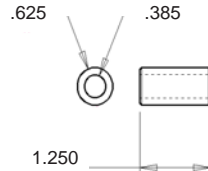
HRP3273
CLAMPING WING SPUD TUBE
1 REQ. PER SPUD
MAT: .437 OD X .321 ID



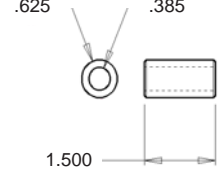
HRP3275
JACOBS LADDER TUBE
WELDED INTO TUBULAR LADDER
MAT: .625 OD X .120 WALL



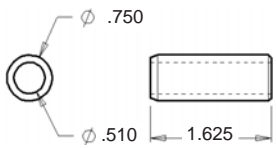
HRP3276
JACOBS LADDER TUBE
WELD BOSS, WING TREE
MAT: .625 OD X .120 WALL



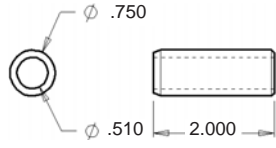
HRP3277
WELD BOSS
MAT: .625 OD X .120 WALL



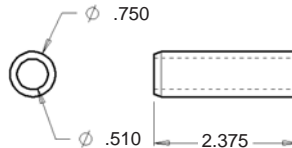
HRP3278
WELD BOSS
MAT: .625 OD X .120 WALL



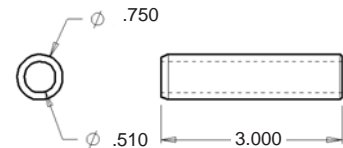
HRP3286
SHOCK MOUNT TUBE
.750 OD X .510 ID X 1.625"



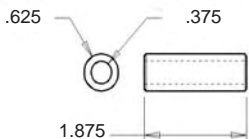
HRP3287
SHOCK MOUNT TUBE
.750 OD X .510 ID X 2.000"



HRP3288
SHOCK MOUNT TUBE
.750 OD X .510 ID X 2.375"



HRP3289
SHOCK MOUNT TUBE
.750 OD X .510 ID X 3.000"

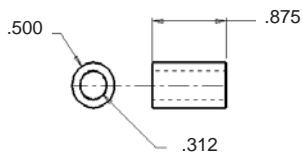


HRP3279
JACOBS LADDER TUBE
(CHASSIS)
.625 OD X .375 ID X 1.875"

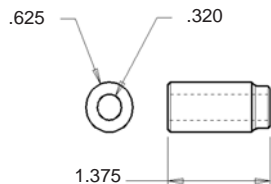
ALL PRICES SEE NEXT PAGE!!!

GHI & HRP SPECIALIZE IN CUSTOM PRODUCTS! CALL IF YOU NEED SOMETHING YOU DO NOT SEE!

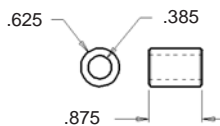
TITANIUM SPUDS-TITANIUM SPUDS-TITANIUM SPUDS-TITANIUM SPUDS-TITANIUM SPUDS



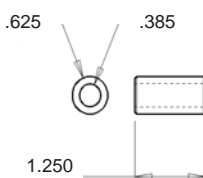
HRP3361
CHASSIS SPUD
GAS PEDAL SPUD
MAT: .500 OD X .156 WALL
TITANIUM



HRP3374
BRAKE PEDAL SPUD
MAT: .625 OD X .156 WALL
TITANIUM

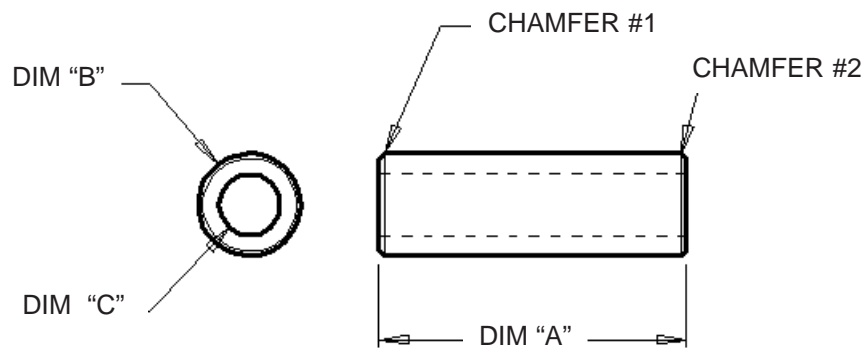


HRP3375
JACOBS LADDER TUBE
WELDED INTO TUBULAR LADDER
MAT: .625 OD X .120 WALL
TITANIUM



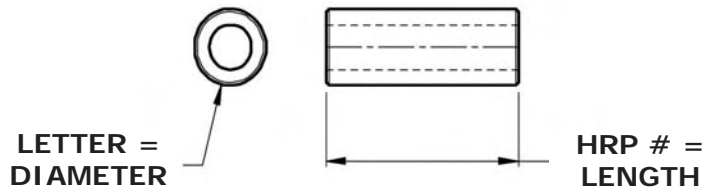
HRP3377
WELD BOSS
MAT: .625 OD X .120 WALL
TITANIUM

STOCK TUBE BOSSES



HRP #	DESCRIPTION	DIM A	DIM B	DIM C	CHAMFER #1	CHAMFER #2	MAT TYPE
HRP3000W-M	Midget King Pin Boss	2.115	1.25	.859	.045	.045	4130
HRP3000W-125	Sprint King Pin Boss 1.250 DIA	2.75	1.25	.859	.045	.045	4130
HRP3000W.150	Sprint King Pin Boss 1.500 DIA	2.75	1.50	.859	.045	.045	4130
HRP3251	Sprint King Pin Boss Lightweight	2.75	1.25	.859	.045	.045	4130
HRP3252	Sprint King Pin Boss Super LW	2.75	1.25	.859	.045	.045	4130
HRP3200W	Panard Bar Threaded Axle Spud	1.00	.750	1/2-20	.030	.030	4130
HRP3249	Panard Bar Threaded Axle Pin	-	-	-	-	-	4130
HRP3250	Front Axle Micro Midget King Pin	1.670	1.00	.625	.030	.030	4130
HRP3260	Gas Pedal/Nose Wing Shock Tower	1.125	.500	.312	min	min	4130
HRP3261	Gas Pedal/Chassis Tab	.875	.500	.312	min	min	4130
HRP3270	Pinch Clamp Tube	.500	.437	.330	min	min	4130
HRP3271	Pinch Clamp Tube	.500	.500	.330	min	min	4130
HRP3272	Pinch Bolt Tube	1.375	.437	.320	min	min	4130
HRP3273	Pinch Bolt Tube	1.187	.437	.320	min	min	4130
HRP3274	Brake Pedal Spud	1.375	.625	.32	min	special	4130
HRP3275	Jacobs Ladder Tube	.875	.625	.385	min	min	4130
HRP3276	Jacobs Ladder/Wing Tree	1.00	.625	.385	min	min	4130
HRP3277	Special Weld Boss	1.25	.625	.385	min	min	4130
HRP3278	Special Weld Boss	1.500	.625	.385	min	min	4130
HRP3279	Jacobs Ladder Tube (Chassis)	1.875	.625	.375	min	min	4130
HRP3286	Shock/Radius Rod Tube	1.625	.750	.510	.065	min	4130
HRP3287	Shock/Radius Rod Tube	2.00	.750	.510	.065	min	4130
HRP3288	Shock/Radius Rod Tube	2.375	.750	.510	.065	min	4130
HRP3289	Shock/Radius Rod Tube	3.00	.750	.510	.065	min	4130
HRP3361	Chassis Spud/Gas Pedal Spud	.875	.500	.312	min	min	TIT
HRP3374	Brake Pedal Spud	1.375	.625	.320	min	special	TIT
HRP3375	Jacobs Ladder Tube/Wing Tree	.875	.625	.390	min	min	TIT
HRP3377	Weld Boss	1.250	.625	.385	min	min	TIT

STOCK TUBE BOSSES



ADD LETTER TO HRP # TO ORDER PART

HRP # + LETTER	LENGTH
HRP3400	.500
HRP3401	.625
HRP3402	.750
HRP3403	.875
HRP3404	1.000
HRP3405	1.125
HRP3406	1.250
HRP3407	1.375
HRP3408	1.500
HRP3409	1.625
HRP3410	1.750
HRP3411	1.875
HRP3412	2.000
HRP3413	2.125
HRP3414	2.250
HRP3415	2.375
HRP3416	2.500
HRP3417	2.750
HRP3418	3.000
HRP3419	3.250
HRP3420	3.500
HRP3421	3.750
HRP3422	4.000
HRP3423	4.250
HRP3424	4.500

THREADED BOSSES

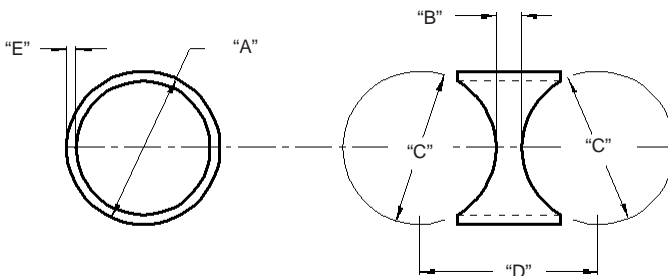
LETTER	THREAD ID	OD DIAMETER	MATERIAL TYPE
A	1/4 X 28	.500	4130
B	5/16 X 24	.625	4130
C	3/8 X 24	.625	4130
D	7/16 X 20	.750	4130
E	1/2 X 20	.750	4130
G	7/16 x 20	.625	4130
M	1/4 X 20	.500	4130
N	5/16 X 18	.625	4130
O	3/8 X 16	.625	4130
P	7/16 X 14	.750	4130
Q	1/2 X 13	.750	4130

THRU HOLE BOSSES

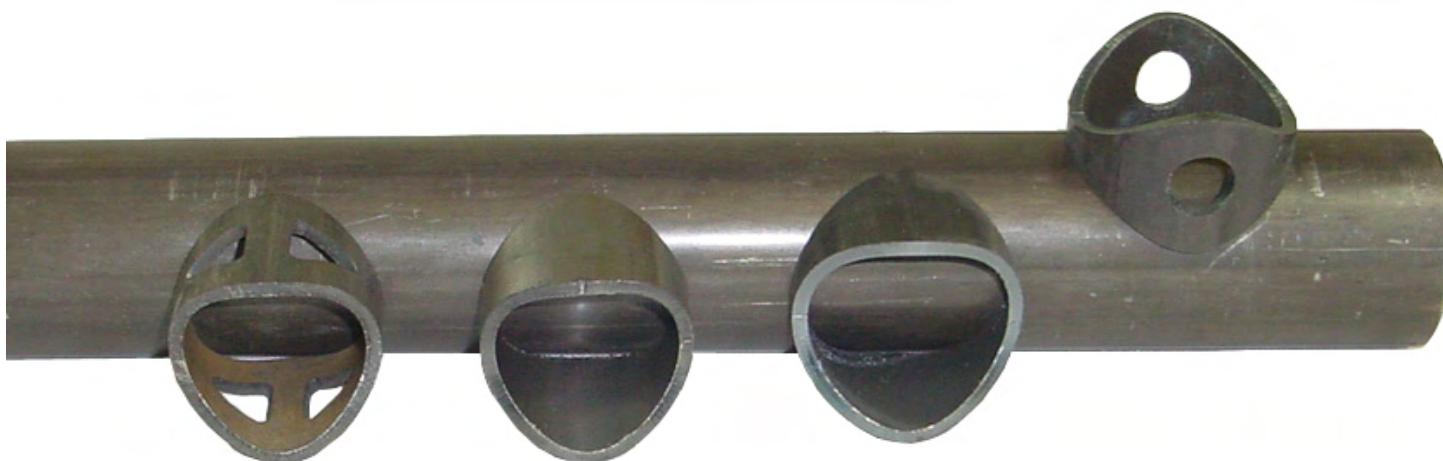
LETTER	THRU HOLE	OD DIAMETER	MATERIAL TYPE
R	.384 ID	.500	4130
S	.310 ID	.500	4130
T	.260 ID	.500	4130
U	.188 ID	.500	4130
V	.438 ID	.625	4130
W	.385 ID	.625	4130
X	.313 ID	.625	4130
Y	.510 ID	.750	4130
Z	.438 ID	.750	4130

TORSION TUBE SPACERS

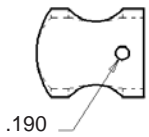
HRP'S STOCK TORSION TUBE SPACERS ARE ALL LASER CUT FROM 4130 AIRCRAFT MATERIAL. WE OFFER A LARGE RANGE OF SIZES AND CONFIGURATIONS. LIKE ALWAYS WE CAN CUSTOM MAKE ANY COMBINATION...



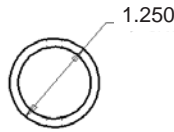
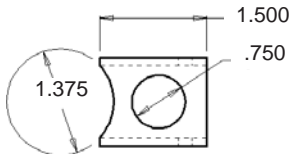
HRP #	DESCRIPTION	DIM A	DIM B	DIM C	DIM D	DIM E	HOLE TYPE
HRP3001W	1.750 Split Torsion Tube Spacer	1.500	.250	1.500	1.750	.095 wall	None
HRP3002W	1.750 Split Torsion Tube Spacer	1.500	.250	1.500	1.750	.095 wall	(2) 7/16" dia. holes
HRP3003W	1.750 Split Torsion Tube Spacer	1.500	.250	1.500	1.750	.095 wall	(4) Triangular holes
HRP3004W	1.750 Split Torsion Tube Spacer	1.375	.250	1.500	1.750	.095 wall	None
HRP3005W	2.000 Split Torsion Tube Spacer	1.500	.500	1.500	2.000	.095 wall	None
HRP3006W	2.000 Split Torsion Tube Spacer	1.500	.500	1.500	2.000	.095 wall	(2) 7/16" dia. holes
HRP3007W	2.000 Split Torsion Tube Spacer	1.500	.500	1.500	2.000	.095 wall	(4) Triangular holes
HRP3008W	2.000 Split Torsion Tube Spacer	1.375	.500	1.500	2.000	.095 wall	None
HRP3009W							
HRP3010W	1.875 Split Torsion Tube Spacer	1.375	.500	1.375	1.875	.095 wall	None
HRP3011W	1.875 Split Torsion Tube Spacer	1.375	.500	1.375	1.875	.095 wall	(4) Triangular holes
HRP3012W	1.750 Split Torsion Tube Spacer	1.375	.375	1.375	1.750	.095 wall	None
HRP3013W	1.750 Split Torsion Tube Spacer	1.375	.375	1.375	1.750	.095 wall	(4) Triangular holes
HRP3014W	1.625 Split Torsion Tube Spacer	1.375	.250	1.375	1.625	.095 wall	None
HRP3015W	1.625 Split Torsion Tube Spacer	1.375	.250	1.500	1.625	.095 wall	(4) Triangular holes
HRP3016W	1.500 Split Torsion Tube Spacer	1.25	.250	1.250	1.500	.065 wall	None
HRP3017W	1.500 Split Torsion Tube Spacer	1.500	.375	1.125	1.500	.065 wall	None
HRP3018W	1.610 Split Torsion Tube Spacer	1.000	.485	1.125	1.610	.065 wall	None
HRP3019W	1.500 Split Torsion Tube Spacer	1.125	.250	1.250	1.500	.065 wall	None
HRP3020W	1.750 Split Torsion Tube Spacer	1.250	.370	1.375	1.750	.065 wall	None



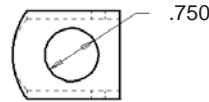
SPRINT NURF SPUDS



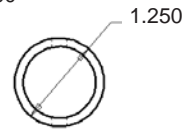
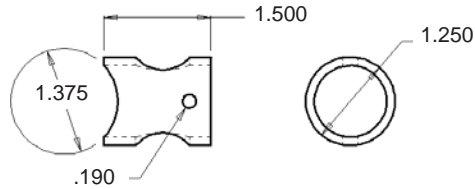
BUMPER SPUDS
HRP3048W-110
 MATERIAL DOM MS
 1.250 X .110 WALL



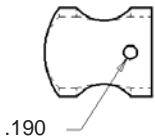
BUMPER SPUDS
HRP3048W
 MATERIAL 4130
 1.250 X .120 WALL



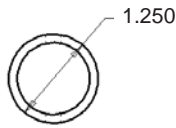
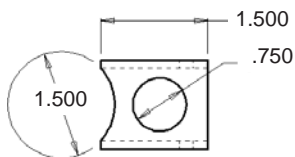
BUMPER SPUDS
HRP3049W-110
 MATERIAL DOM MS
 1.250 X .110 WALL



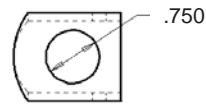
BUMPER SPUDS
HRP3049W
 MATERIAL 4130
 1.250 X .120 WALL



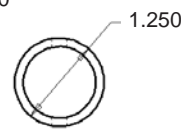
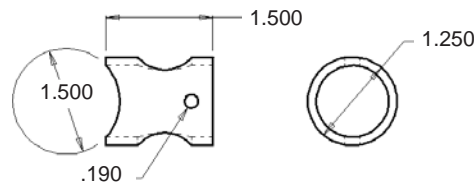
BUMPER SPUDS
HRP3050W-110
 MATERIAL DOM MS
 1.250 X .110 WALL



BUMPER SPUDS
HRP3050W
 MATERIAL 4130
 1.250 X .120 WALL

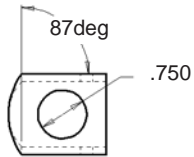


BUMPER SPUDS
HRP3051W-110
 MATERIAL DOM MS
 1.250 X .110 WALL

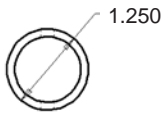
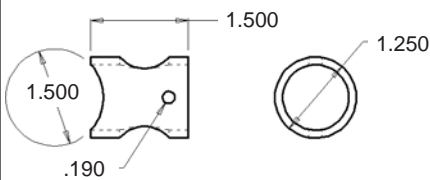


BUMPER SPUDS
HRP3051W
 MATERIAL 4130
 1.250 X .120 WALL

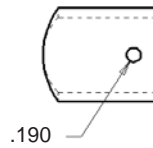
BUMPER AND NURF SPUDS



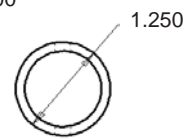
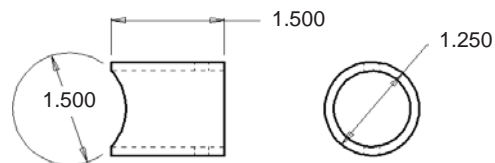
BUMPER SPUDS
HRP3053W-110
 MATERIAL DOM MS
 1.250 X .110 WALL



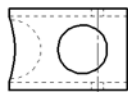
BUMPER SPUDS
HRP3053W
 MATERIAL 4130
 1.250 X .120 WALL



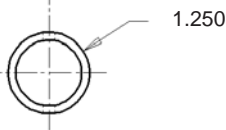
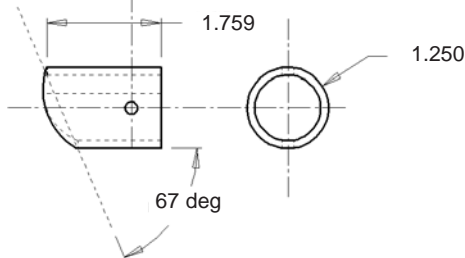
BUMPER SPUDS
HRP3054W-110
 MATERIAL DOM MS
 1.250 X .110 WALL



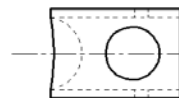
BUMPER SPUDS
HRP3054W
 MATERIAL 4130
 1.250 X .120 WALL



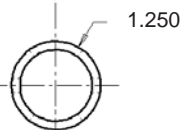
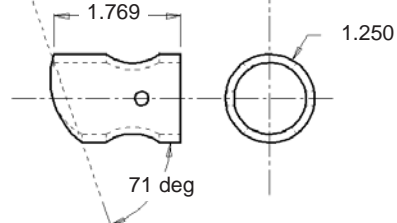
BUMPER SPUDS
HRP3060W-110
 MATERIAL DOM MS
 1.250 X .110 WALL



BUMPER SPUDS
HRP3060W
 MATERIAL 4130
 1.250 X .120 WALL

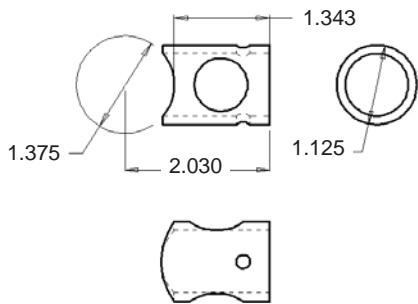


BUMPER SPUDS
HRP3061W-110
 MATERIAL DOM MS
 1.250 X .110 WALL



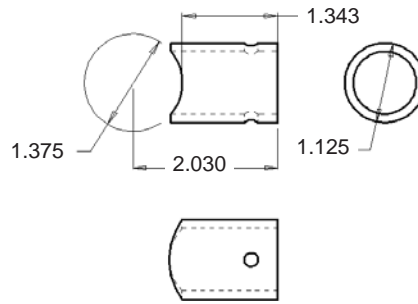
BUMPER SPUDS
HRP3061W
 MATERIAL 4130
 1.250 X .120 WALL

MIDGET NURF SPUDS



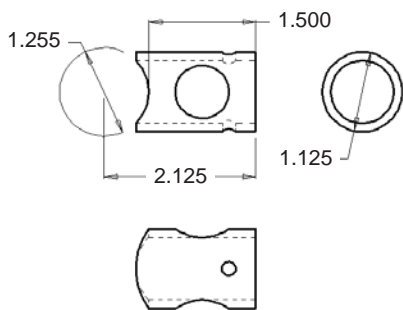
BUMPER SPUDS
HRP3044W-110
 MATERIAL DOM MS
 1.125 X .110 WALL

BUMPER SPUDS
HRP3044W
 MATERIAL 4130
 1.125 X .120 WALL



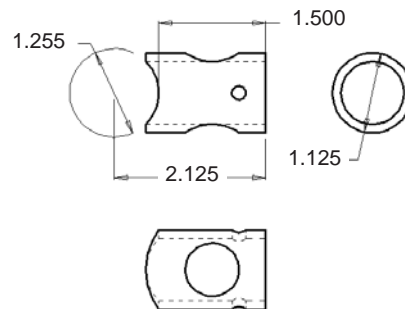
BUMPER SPUDS
HRP3045W-110
 MATERIAL DOM MS
 1.125 X .110 WALL

BUMPER SPUDS
HRP3045W
 MATERIAL 4130
 1.125 X .120 WALL



BUMPER SPUDS
HRP3044W-110
 MATERIAL DOM MS
 1.125 X .110 WALL

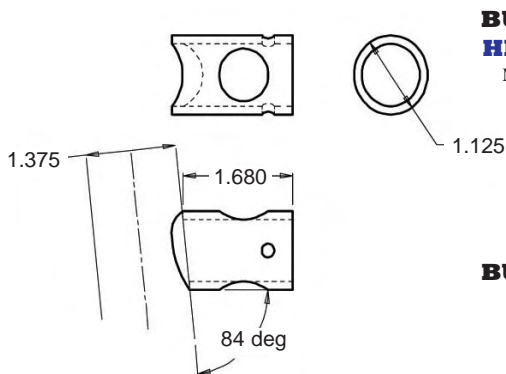
BUMPER SPUDS
HRP3046W
 MATERIAL 4130
 1.125 X .120 WALL



BUMPER SPUDS
HRP3047W-110
 MATERIAL DOM MS
 1.125 X .110 WALL

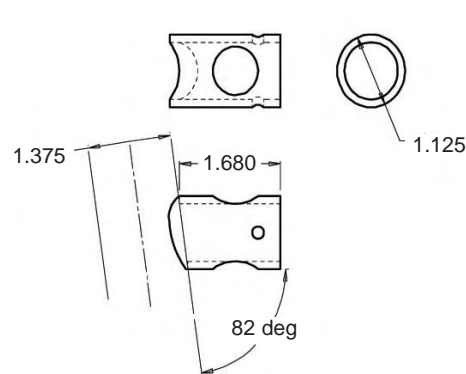
BUMPER SPUDS
HRP3047W
 MATERIAL 4130
 1.125 X .120 WALL

BUMPER AND NURF SPUDS



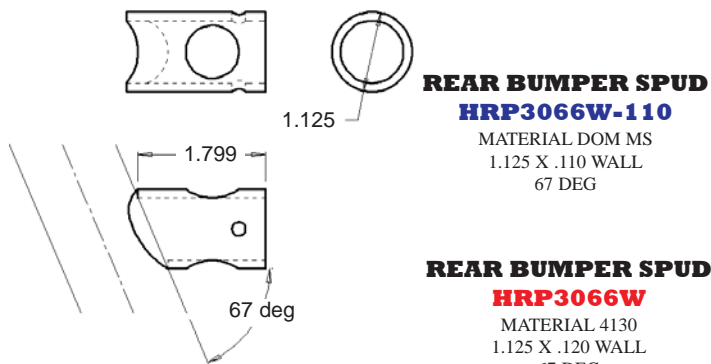
BUMPER SPUDS
HRP3064W-110
 MATERIAL DOM MS
 1.125 X .110 WALL

BUMPER SPUDS
HRP3064W
 MATERIAL 4130
 1.125 X .120 WALL



BUMPER SPUDS
HRP3065W-110
 MATERIAL DOM MS
 1.125 X .110 WALL

BUMPER SPUDS
HRP3065W
 MATERIAL 4130
 1.125 X .120 WALL



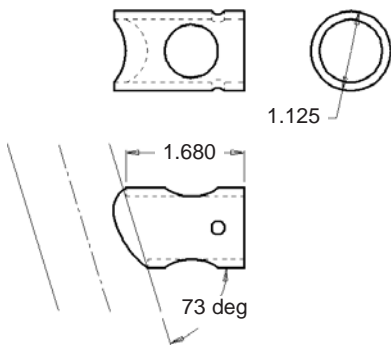
REAR BUMPER SPUD
HRP3066W-110
 MATERIAL DOM MS
 1.125 X .110 WALL
 67 DEG

REAR BUMPER SPUD
HRP3066W
 MATERIAL 4130
 1.125 X .120 WALL
 67 DEG

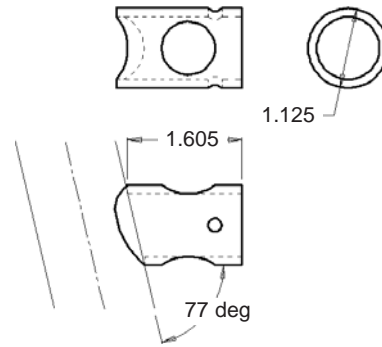


IRA #75 TY BARTZ

SPECIALTY BUMPER & NURF SPUDS



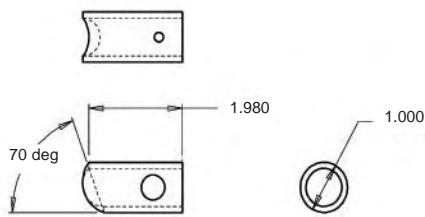
**REAR BUMPER SPUD
HRP3067W-110**
MATERIAL DOM MS
1.125 X .110 WALL
73 DEGREE SPUD



**REAR BUMPER SPUD
HRP3068W-110**
MATERIAL DOM MS
1.125 X .110 WALL
77 DEGREE SPUD

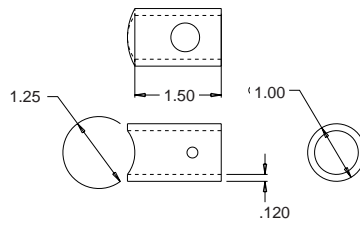
**REAR BUMPER SPUD
HRP3067W**
MATERIAL 4130
1.125 X .120 WALL
73 DEGREE SPUD

**REAR BUMPER SPUD
HRP3068W**
MATERIAL 4130
1.125 X .120 WALL
77 DEGREE SPUD



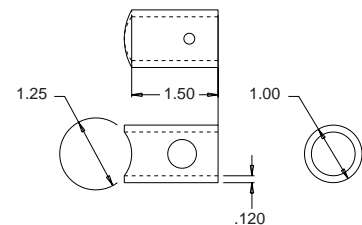
HRP3069W-110
MATERIAL DOM MS
1.000 X .110 WALL

HRP3069W
MATERIAL 4130
1.000 X .120 WALL



HRP3070W-110
MATERIAL DOM MS
1.000 X .110 WALL

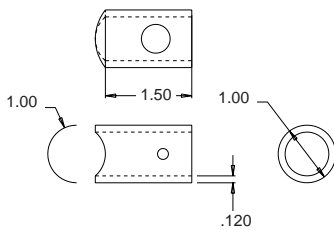
HRP3070W
MATERIAL 4130
1.000 X .120 WALL



HRP3071W-110
MATERIAL DOM MS
1.000 X .110 WALL

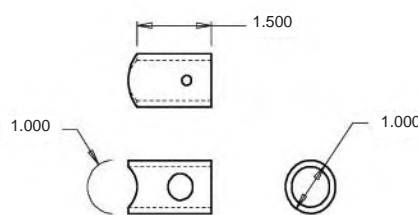
HRP3071W
MATERIAL 4130
1.000 X .120 WALL

BUMPER AND NURF SPUDS



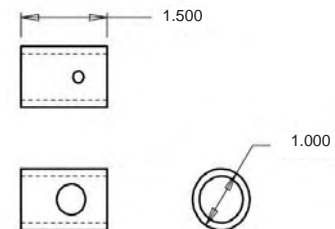
HRP3072W-110
MATERIAL DOM MS
1.000 X .110 WALL

HRP3072W
MATERIAL 4130
1.000 X .120 WALL



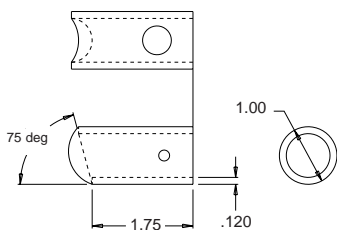
HRP3073W-110
MATERIAL DOM MS
1.000 X .110 WALL

HRP3073W
MATERIAL 4130
1.000 X .120 WALL



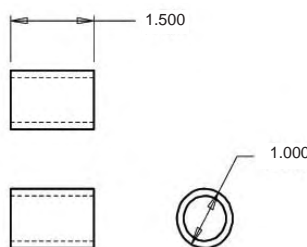
HRP3074W-110
MATERIAL DOM MS
1.000 X .110 WALL

HRP3074W
MATERIAL 4130
1.000 X .120 WALL



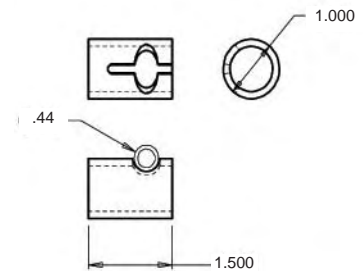
HRP3075W-110
MATERIAL DOM MS
1.000 X .110 WALL

HRP3075W
MATERIAL 4130
1.000 X .120 WALL



HRP3076W-110
MATERIAL DOM MS
1.000 X .110 WALL

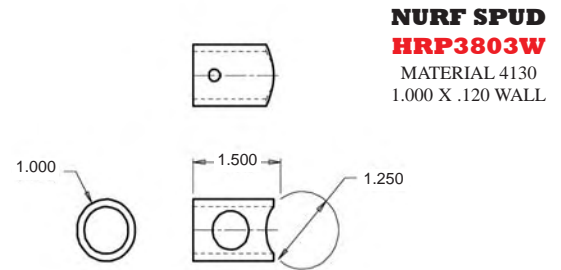
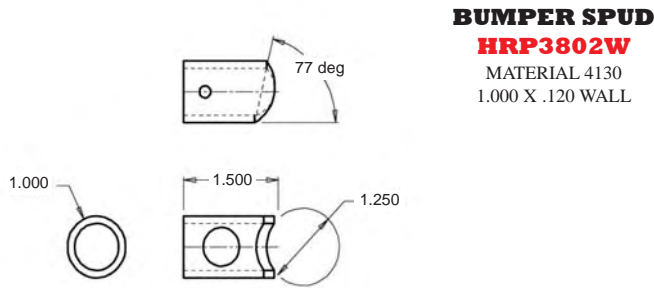
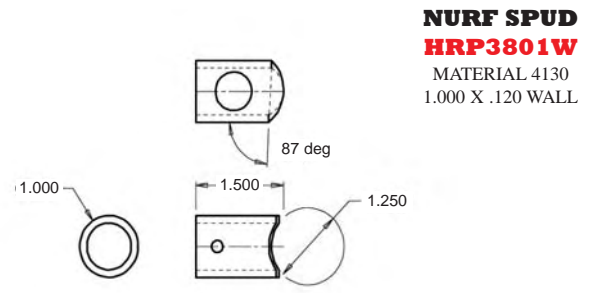
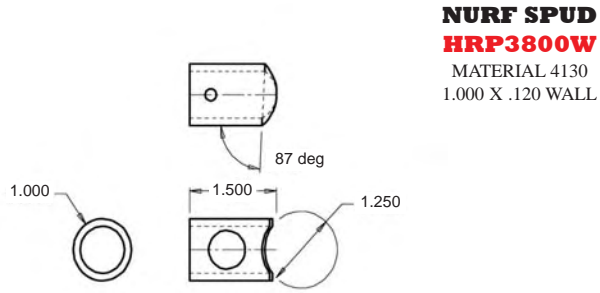
HRP3076W
MATERIAL 4130
1.000 X .120 WALL



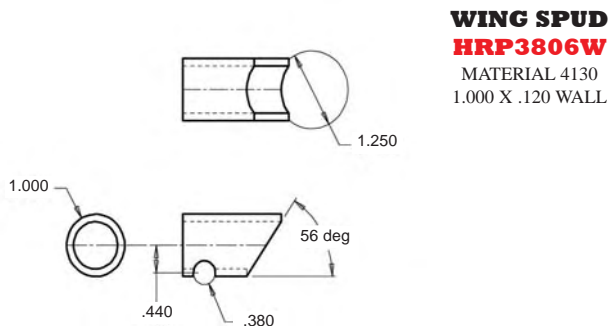
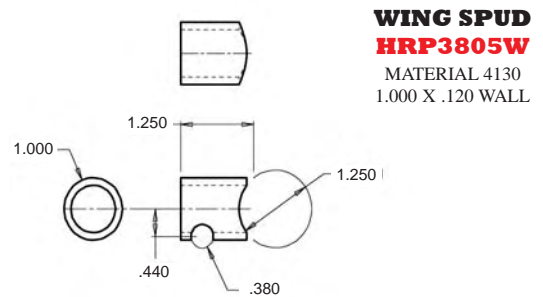
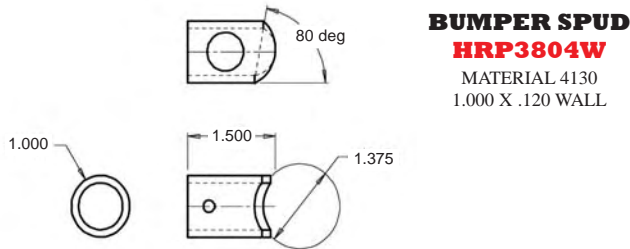
HRP3077W-110
MATERIAL DOM MS
1.000 X .110 WALL

HRP3077W
MATERIAL 4130
1.000 X .120 WALL

SPECIALTY BUMPER & NURF SPUDS

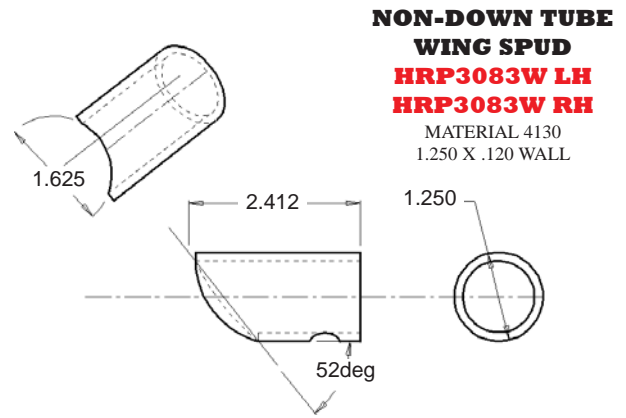
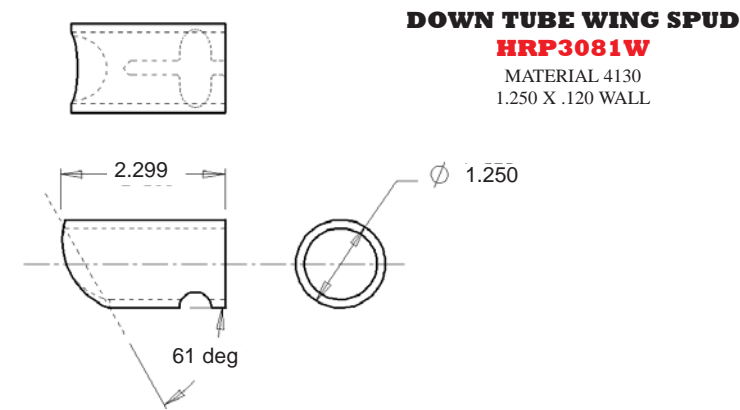
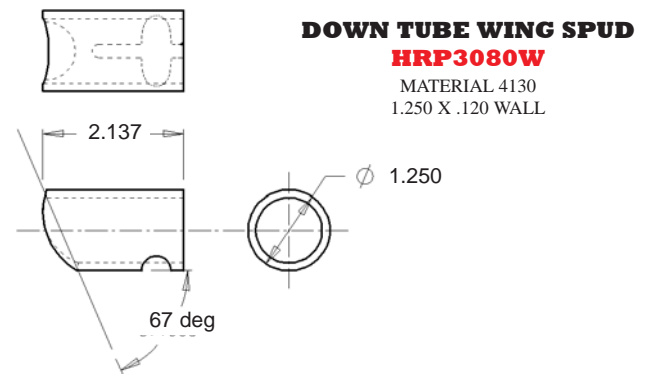
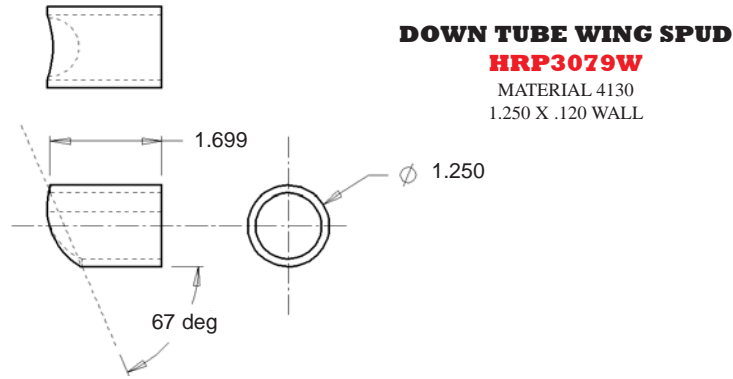


BUMPER AND NURF SPUDS

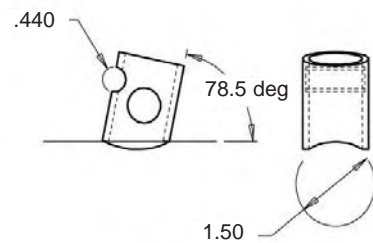
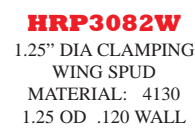
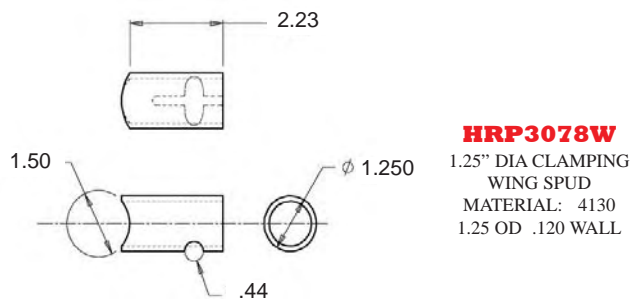
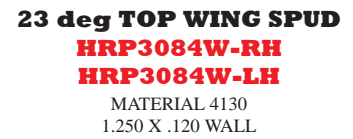
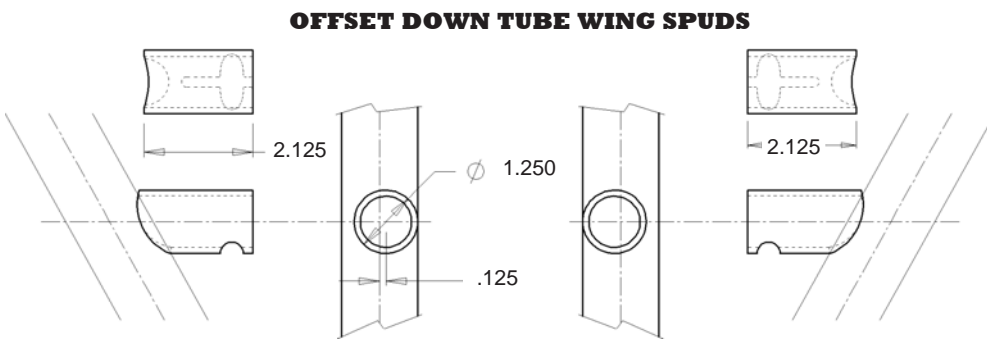


2005 S.O.D. CHAMPION #3 TIM NORMAN

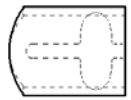
SPECIALTY BUMPER & NURF SPUDS



BUMPER AND NURF SPUDS

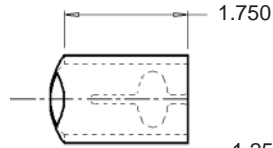
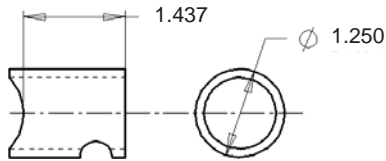


SPECIALTY BUMPER & NURF SPUDS



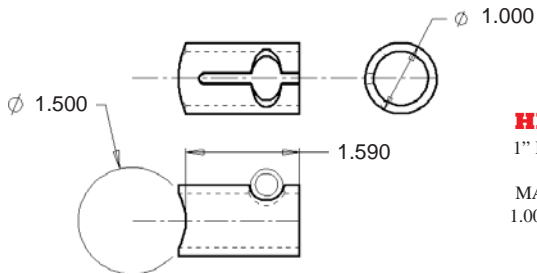
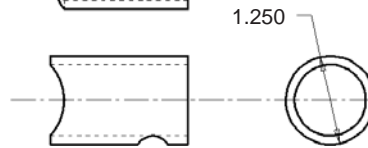
NOSE WING SPUD

HRP3086W
MATERIAL 4130
1.250 X .120 WALL

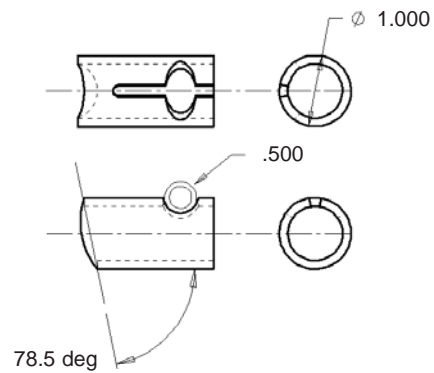


NOSE WING SPUD

HRP3087W LH
HRP3087W RH
MATERIAL 4130
1.250 X .120 WALL

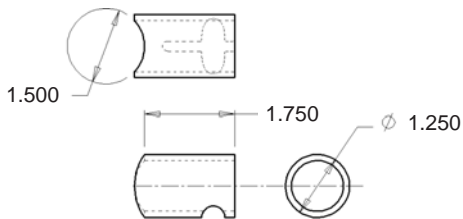


HRP3088W
1" DIA CLAMPING
WING SPUD
MATERIAL: 4130
1.00 OD .120 WALL

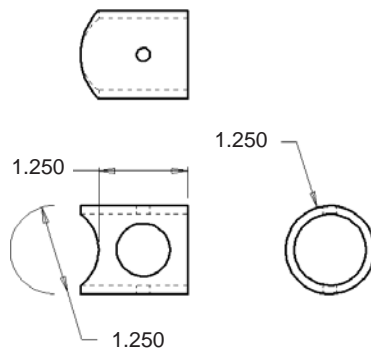


HRP3089W
1" DIA CLAMPING
WING SPUD
ANGLED
MATERIAL: 4130
1.00 OD .120 WALL

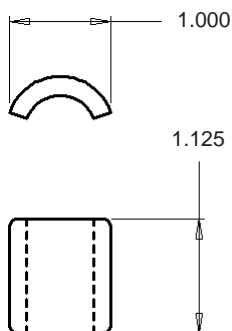
BUMPER AND NURF SPUDS



HRP3099W
1 1/4" DIA CLAMPING
WING SPUD
90 TO HRP3088W
MATERIAL: 4130
1.250 OD .120 WALL



HRP3063W
TORQUE TUBE SPUD
MATERIAL: 4130
1.250 OD .120 WALL



HRP3090W
TORSION STOP PAD
MATERIAL: 4130
1.250 OD .120 WALL

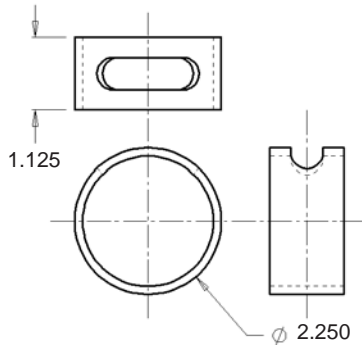


#7 WoO CRAIG DOLLANSKY

SPECIALTY BUMPER & NURF SPUDS

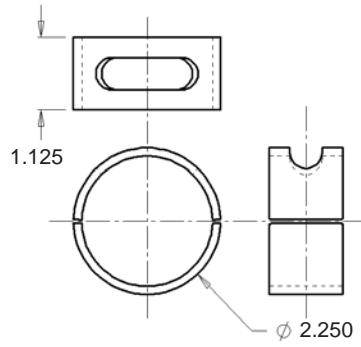
HRP3093W

NON SPLIT
LH OR RH RING
MATERIAL: 4130
2.250 OD .120 WALL



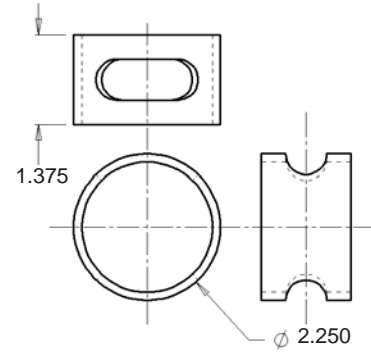
HRP3094W

SPLIT
LH OR RH RING
MATERIAL: 4130
2.250 OD .120 WALL



HRP3095W

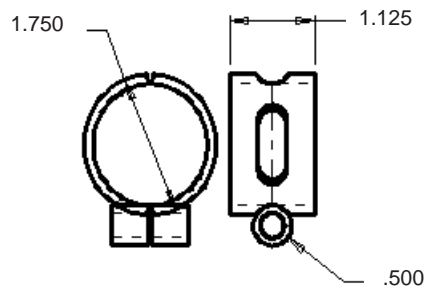
NON SPLIT
LH OR RH RING
MATERIAL: 4130
2.250 OD .120 WALL



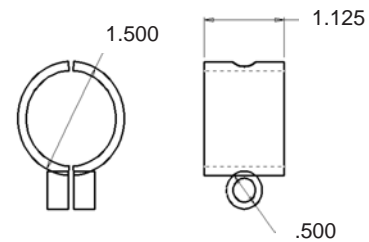
TUBE CLAMP HALVES

-HANDY FOR MOUNTING PANARD BARS, SWAY BARS, CLEVIS
-MADE FROM 4130 TUBE
-WILL MAKE CUSTOM PARTS TO YOUR TO SPECIFICATIONS
- SOLD AS A PAIR (2 PCS)

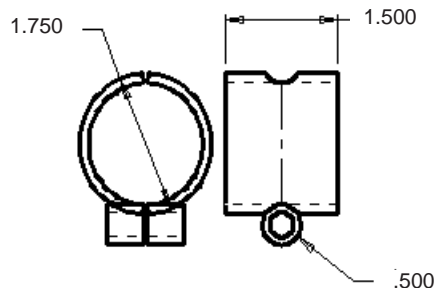
- HRP3091W** 1.750 OD X 1.510 ID X 1.500 WIDE
- HRP3092W** 1.750 OD X 1.510 ID X 2.000 WIDE
- HRP3096W** 1.750 OD X 1.510 ID X 1.125 WIDE
- HRP3097W** 1.500 OD X 1.260 ID X 1.125 WIDE



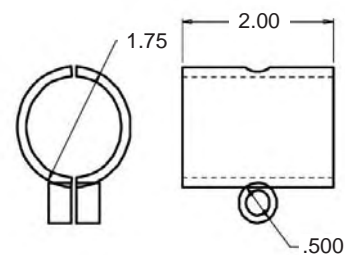
HRP3096W



HRP3097W



HRP3091W



HRP3092W

LASER CUT TUBE PARTS

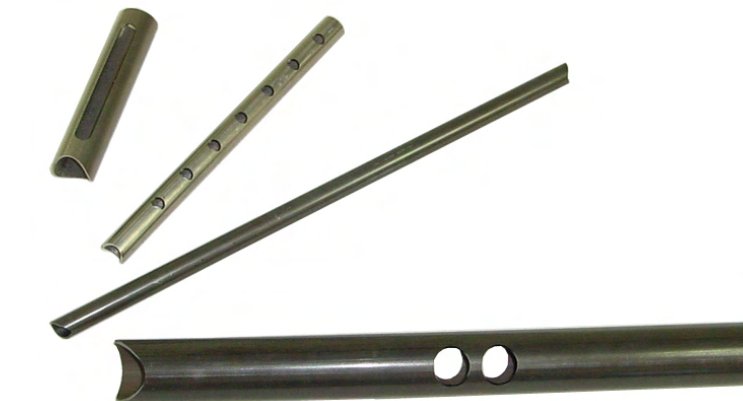
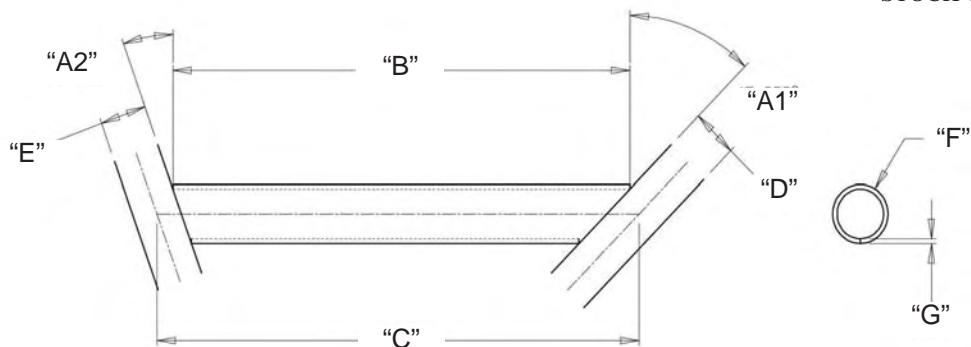
CUSTOM LASER CUT TUBE QUICK AND EASY

CUSTOM LASER CUT TUBE PARTS

CNC LASER CUT TUBE
STOCK OR CUT TO YOUR SPECIFICATIONS

DIMENSION NEEDED FOR CUSTOM MADE TUBE

- * DIMENSION B OR C
- * D & E OR COPE DIA.
- * F & G ARE TUBE DIAMETER AND THICKNESS
- * A1 & A2 ARE ANGLES OF COPE



HRP #	DESCRIPTION	TUBE MATERIAL	APPROX LENGTH
JACOBS LADDER			
HRP3699	JACOBS LADDER TUBE DIAG 13"	.750 X .058	14"
HRP3700	JACOBS LADDER TUBE DIAG 13.625"	.750 X .058	14"
HRP3701	JACOBS LADDER TUBE DIAG 14.00"	.750 X .058	14"
HRP3706	JACOBS LADDER TUBE VERTICAL	.500 X .058	6.5"
HRP3707	JACOBS LADDER TUBE VERTICAL	.750 X .058	6.5"
WING TREE			
HRP3720	WING TREE UPRIGHT 2 HOLES	.750 X .058	17.0"
HRP3721	WING TREE UPRIGHT 1 HOLE	.750 X .058	17.0"
HRP3722	WING TREE INSERT	.625 X .083	17.0"
HRP3723	WING TREE X LONG (DIAGONAL)	.500 X .049	17.0"
HRP3724	WING TREE X SHORT (DIAGONAL)	.500 X .049	17.0"
CHASSIS PARTS			
HRP3760	RADIATOR X LONG (DIAGONAL)	1.00 X .065	26"
HRP3761	RADIATOR X SHORT LOWER (DIAGONAL)	1.00 X .065	13"
HRP3762	RADIATOR X SHORT UPPER (DIAGONAL)	1.00 X .065	13"
HRP3763	RADIATOR UPRIGHT TUBE	1.25 X .065	16"
HRP3764	PANARD BAR UPRIGHT TUBE	1.375 X .083	14"
HRP3765	CAGE GUSSET 4-8"	1.00" X .065	4"-8"

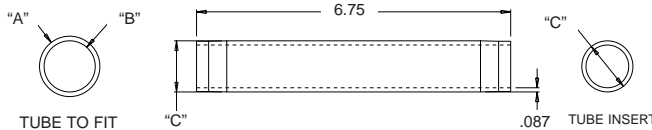


CALL FOR CUSTOM SIZES AND LENGTHS



#6K KURT DAVIS IRA SPRINTCAR

CHASSIS REPAIR INSERTS

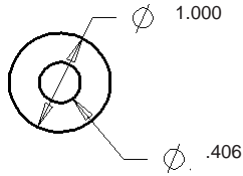


- CNC TURNED INSERTS FROM 4130 TUBE
- HRP3600** A = 1.50 DIA X .095 C = 1.058
 - HRP3601** A = 1.37 DIA X .095 C = 1.188
 - HRP3602** A = 1.25 DIA X .095 C = 1.308



WASHERS, FASTENERS, & BOSSES

TITANIUM SEAT WASHERS



HRP5000
1.00 OD X .406 ID
HRP5001
1.00 OD X .343 ID

.080 THICK
GRADE 6/4 TITANIUM



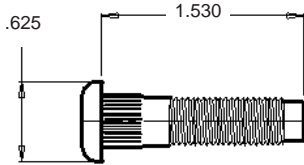
SOLD IN PACKS
OF 10 PCS

TITANIUM AN WASHERS



HRP5004 1/4" HOLE .030 THICK
HRP5005 5/16" HOLE .030 THICK
HRP5006 3/8" HOLE .030 THICK
HRP5007 7/16" HOLE .030 THICK
HRP5008 1/2" HOLE .030 THICK
HRP5009 5/8" HOLE .030 THICK
HRP5010 3/4" HOLE .030 THICK

HRP5014 1/4" HOLE .060 THICK
HRP5015 5/16" HOLE .060 THICK
HRP5016 3/8" HOLE .060 THICK
HRP5017 7/16" HOLE .060 THICK
HRP5018 1/2" HOLE .060 THICK
HRP5019 5/8" HOLE .060 THICK
HRP5020 3/4" HOLE .060 THICK



HRP4499
9" REAR END STUD
FITS HRP, STOCK FORD, AND
MOST AFTER-MARKET HOUSINGS



37 Degree AN
ALUM FITTING



HRP8409 RUE CLIP
HRP5910 SMALL COTTER
HRP5911 MED COTTER
HRP5912 LARGE COTTER



SAE PORT FITTING
SAE -12 TO 3/4" TUBE
HRP7090
20+

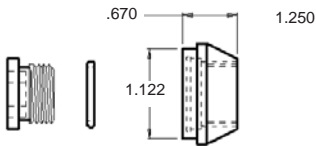


HRP8084
HITCH PIN



ALUMINUM NECK & CAP
HRP7020 STEEL CAP
HRP7021 ALUM NECK

INSPECTION PLUG SET



INSPECTION PLUG SET
HRP7000W

PLUG, O-RING, SNAP RING AND WELD
BOSS



HRP7001 WELD BOSS
HRP7002 PLUG
HRP7003 O-RING
HRP7004 SNAP RING

ALUMINUM



HRP7101A -4 BUNG
HRP7102A -6 BUNG
HRP7103A -8 BUNG
HRP7104A -10 BUNG
HRP7105A -12 BUNG
HRP7106A -16 BUNG

STEEL

HRP7101 -4 BUNG
HRP7102 -6 BUNG
HRP7103 -8 BUNG
HRP7104 -10 BUNG
HRP7105 -12 BUNG
HRP7106 -16 BUNG

SAE PORT
WELD BUNG
ALUMINUM STEEL
PLUGS AVAILABLE

FUEL SYSTEM & BRAKE FITTINGS



PETERSON FUEL FILTERS

- PTR09-0627** -12 AN 100 MICRON FUEL FILTER
W/SHUTOFF
PTR09-0484 -12 AN 100 MICRON FUEL FILTER
NO SHUTOFF

IN-TANK FILTER PTR09-1481

PETERSON FUEL FILTER PTR09-0900 -6 AN FUEL SHUT-OFF



FUEL FILTER MOUNT

- HRP8115** 1 1/4 DIA MOUNT
HRP8116 1 3/8 DIA MOUNT
HRP8117 1 1/2 DIA MOUNT



WATERMAN LIGHTWEIGHT FUEL PUMPS

- WAT400L** 400 PUMP
WAT450L 450 PUMP
WAT500L 500 PUMP



WATERMAN FUEL PUMPS

- WAT400** 400 PUMP
WAT450 450 PUMP
WAT500 500 PUMP



KINSLER HIGH SPEED BYPASS

- KIN3970** 49-106 PSI
KIN3971 57-123 PSI



WATERMAN HIGH SPEED BYPASS

- WAT100** ADJUSTABLE HIGHSPEED
BYPASS
WAT101 MAIN BYPASS



PILLS KINSLER ANY SIZE .050 OR LARGER

STEEL BRAIDED LINES

#3 STRAIGHT X STRAIGHT



LENGTH	PART #	
10"	FRA310010	
12"	FRA310012	
14"	FRA310014	
16"	FRA310016	
18"	FRA310018	
20"	FRA310020	
22"	FRA310022	
24"	FRA310024	
30"	FRA310030	
36"	FRA310036	
40"	FRA310040	
48"	FRA310048	



#3 STRAIGHT X 90 DEGREE

LENGTH	PART#	
12"	FRA320012	
18"	FRA320018	
20"	FRA320020	
24"	FRA320024	
36"	FRA320036	

MISC BRAKE FITTINGS



ALUMINUM TUBE NUT -3 FRA481803



ALUMINUM TUBE SLEEVE -3 FRA481903



ALUMINUM TEE PIPE ON RUN -3 FRA482603



ALUMINUM CAP -3 FRA492903

FRAGOLA FITTINGS

PUSHLOCK HOSE ENDS



ALUMINUM FITTINGS & ADAPTERS

STRAIGHT PUSHLOCK



SIZE	PART#
-4	FRA200104
-6	FRA200106
-8	FRA200108
-10	FRA200110
-12	FRA200112

45 DEGREE PUSHLOCK



SIZE	PART#
-4	FRA204504
-6	FRA204506
-8	FRA204508
-10	FRA204510
-12	FRA204512

90 DEGREE PUSHLOCK



SIZE	PART#
-4	FRA209004
-6	FRA209006
-8	FRA209008
-10	FRA209010
-12	FRA209012

120 DEGREE PUSHLOCK



SIZE	PART#
-4	-
-6	FRA212006
-8	FRA212008
-10	FRA212010
-12	FRA212012

150 DEGREE PUSHLOCK



SIZE	PART#
-4	-
-6	FRA215006
-8	FRA215008
-10	FRA215010
-12	FRA215012

180 DEGREE PUSHLOCK



SIZE	PART#
-4	-
-6	FRA218006
-8	FRA218008
-10	FRA218010
-12	FRA218012

AN-PIPE STRAIGHT



SIZE	PART#
-3X1/8 NPT	FRA481603
-4X1/8 NPT	FRA481604
-6X1/2 NPT	FRA481668
-8X1/2 NPT	FRA481688

AN-PIPE 45 DEGREE



SIZE	PART#
-3X1/8 NPT	FRA482303
-4X1/8 NPT	FRA482304

AN-PIPE 90 DEGREE



SIZE	PART#
-3X1/8 NPT	FRA482203
-4X1/8 NPT	FRA482204

ALUMINUM TEE



SIZE	PART#
-3	FRA482403
-4	FRA482404
-6	FRA482406

STRAIGHT BULKHEAD



SIZE	PART#
-3	FRA483203
-6	FRA483206
-8	FRA483208

45 DEGREE BULKHEAD



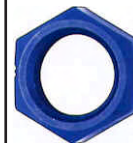
SIZE	PART#
-3	FRA483703
-6	FRA483706
-8	FRA483708

90 DEGREE BULKHEAD



SIZE	PART#
-3	FRA483303
-6	FRA483306
-8	FRA483308

BULKHEAD NUT



SIZE	PART#
-3	FRA492403
-6	FRA492406
-8	FRA492408

ALUMINUM PLUG



SIZE	PART#
-4	FRA480604
-6	FRA480606
-8	FRA480608
-10	FRA480610
-12	FRA480612

ALUMINUM CAP



SIZE	PART#
-4	FRA492904
-6	FRA492906
-8	FRA492908
-10	FRA492910
-12	FRA492912

PIPE REDUCER



SIZE	PART#
1/8 X 1/4	FRA491201
1/4 X 3/8	FRA491202
1/8 X 3/8	FRA491203
1/4 X 1/2	FRA491205
1/8 X 1/2	FRA491206

"O" RING FITTING



SIZE	PART#
-6X9/16-18	FRA495100
-6X3/4-16	FRA495101
-8X3/4-16	FRA495103
-10X3/4-16	FRA495105
-12X7/8-14	FRA495108



SIZE	PART#
-6	AQP2556-6
-8	AQP2556-8
-10	AQP2556-10
-12	AQP2556-12

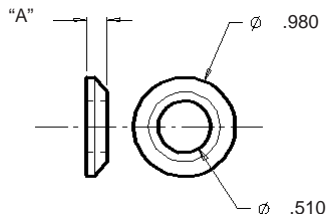
PUSH LOCK HOSE BLACK

SOLD BY THE FOOT

STEEL FITTINGS AND ADAPTERS ALSO AVAILABLE!!

HEIM SPACERS

ALUMINUM HEIM WASHER

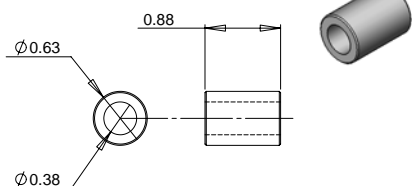


HRP5350

HRP5348

HRP5347

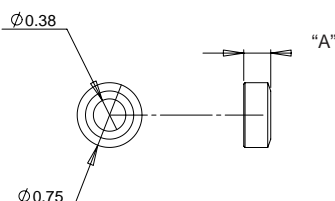
JACOBS LADDER SPACER HRP5390



SPACERS KITS



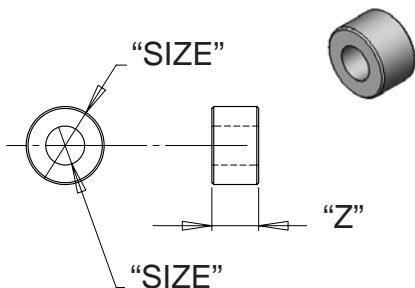
HRP5330



HRP5332

HRP5336

ALUMINUM SPACERS



KIT INCLUDES 5 PCS OF EACH LENGTH SPACER

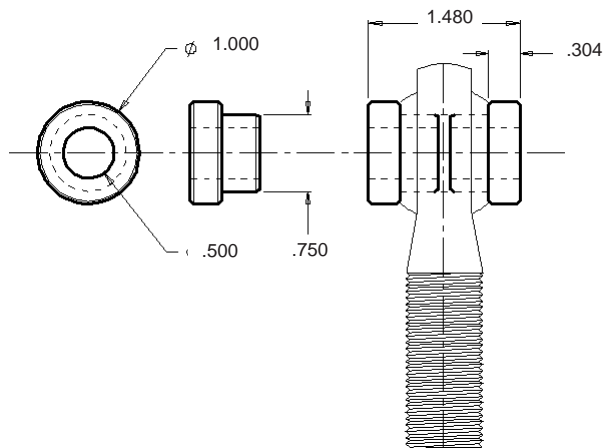


**LETTER=O.D./ I.D.
ADD LETTER TO PART #**

LETTER	SIZE	HRP KIT #
A	.250 ID X .500 OD	HRP5365A
B	.312 ID X .625 OD	HRP5365B
C	.375 ID X .625 OD	HRP5365C
D	.437 ID X .750 OD	HRP5365D
E	.500 ID X .750 OD	HRP5365E

HRP #	Z=LENGTH
HRP5370-	.060
HRP5371-	.090
HRP5372-	.125
HRP5373-	.156
HRP5374-	.187
HRP5375-	.218
HRP5376-	.250
HRP5377-	.281
HRP5378-	.312
HRP5379-	.375
HRP5380-	.406
HRP5381-	.437
HRP5382-	.484
HRP5383-	.500

ALUMINUM HEIM REDUCERS



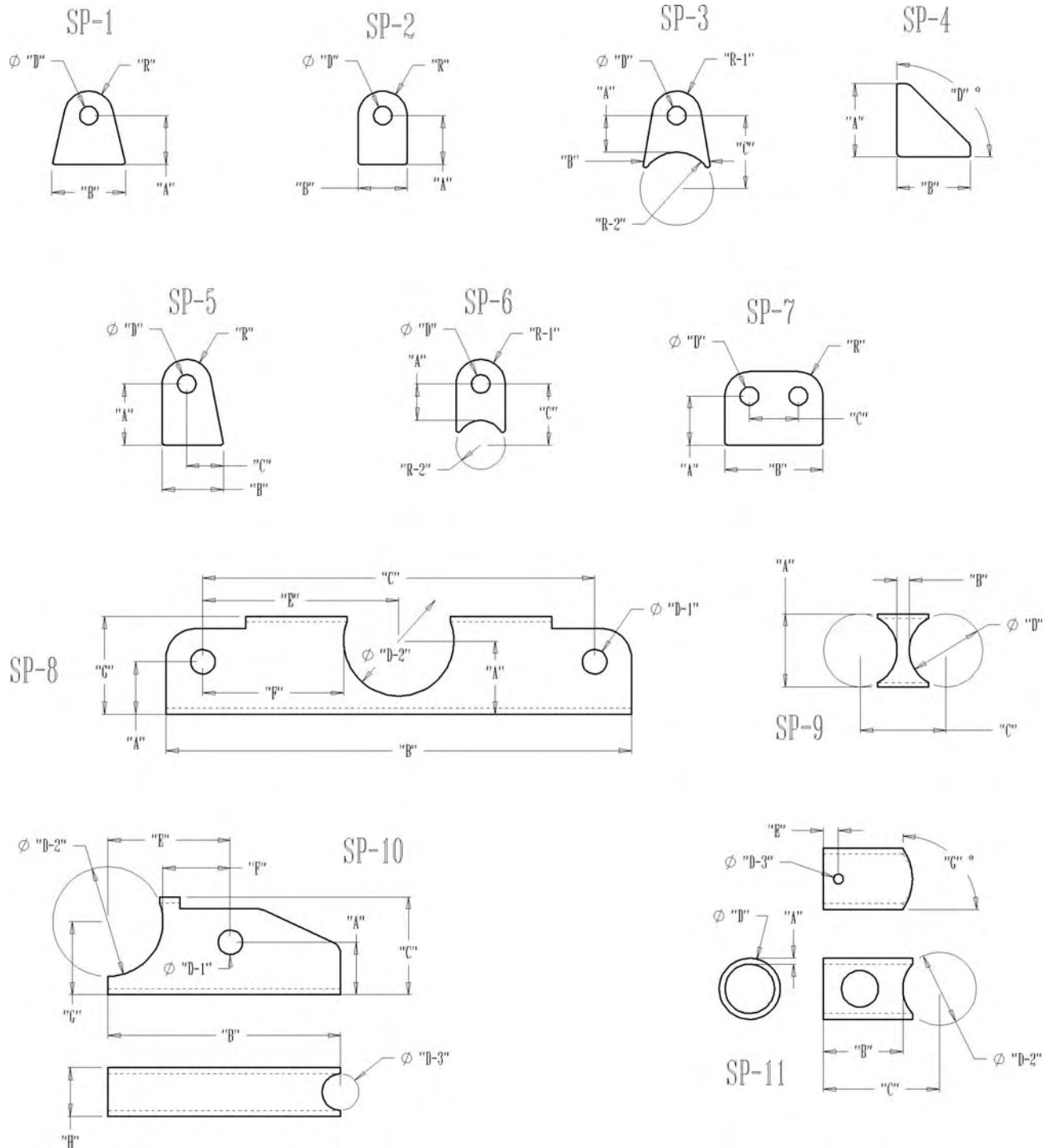
HRP5300

REDUCE A 3/4" HEIM FOR A 1/2" BOLT
MADE FROM 6061 ALUM SOLD EACH

WILL MAKE TO SPEC!

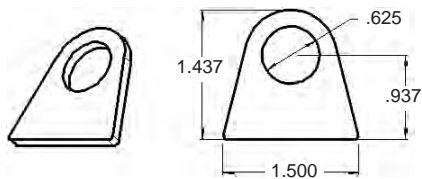
CUSTOM TABS & BRACKETS

THE PARTS SHOWN BELOW ARE SOME OF THE MOST COMMONLY REQUESTED SHAPES. YOU CAN USE THIS DIAGRAM WHEN ORDERING FOR QUICKER PROCESSING. DON'T FORGET MATERIAL THICKNESS AND MATERIAL TYPE. CALL, FAX, OR E-MAIL US TODAY!

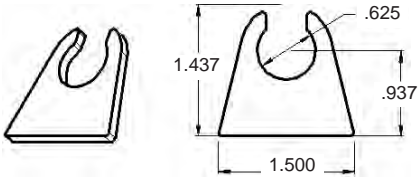


TABS CAN BE CUT FROM ANY THICKNESS, SIZE OR MATERIAL TYPE!

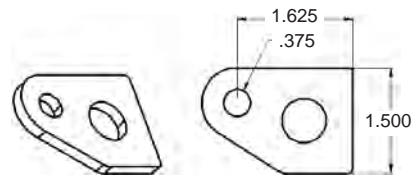
STOCK 4130 TABS & BRACKETS



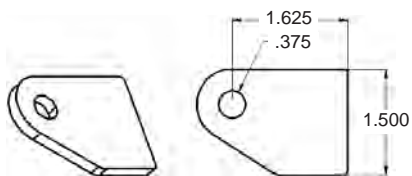
HRP0001T
SHIFTER CABLE TAB
CLOSED HOLE
MAT: .125 4130



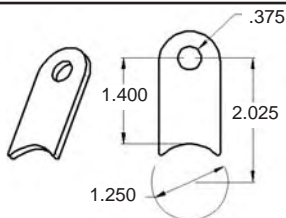
HRP0002T
SHIFTER CABLE TAB
OPEN HOLE
MAT: .125 4130



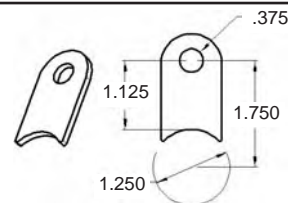
HRP0003T
MOTOR MOUNT TAB
WITH 3/4" HOLE
MAT: .187 4130



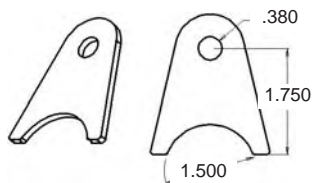
HRP0004T
MOTOR MOUNT TAB
3/8" HOLE ONLY
MAT: .187 4130



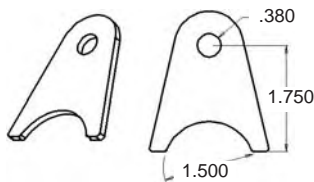
HRP0005T
BRAKE PEDAL TAB
LONG TAB
MAT: .125 4130



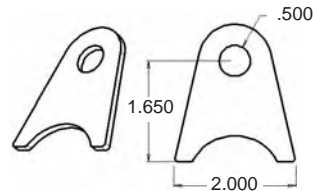
HRP0006T
BRAKE PEDAL TAB
SHORT TAB
MAT: .125 4130



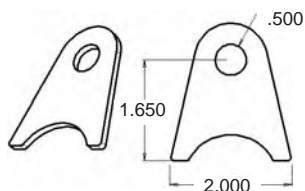
HRP0007T
JACOBS LADDER
END TAB
.380 DIA HOLE
MAT: .125 4130



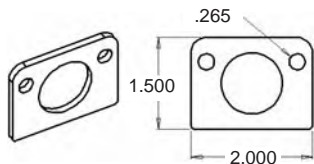
HRP0007T.TIT
JACOBS LADDER
END TAB
.380 DIA HOLE
MAT: .125 TIT



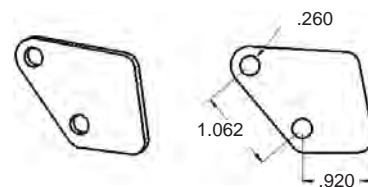
HRP0008T
JACOBS LADDER
END TAB
.500 DIA HOLE
MAT: .125 4130



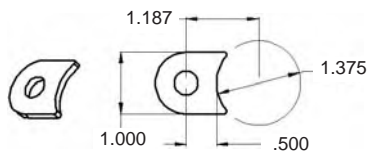
HRP0008T.TIT
JACOBS LADDER
END TAB
.500 DIA HOLE
MAT: .125 TITANIUM



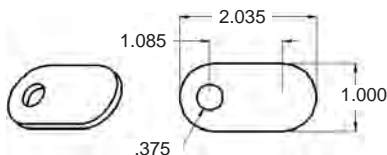
HRP0009T.060
HRP0009T.125
WING SLIDER VALVE
.265 DIA HOLE
MAT: 4130 SHEET



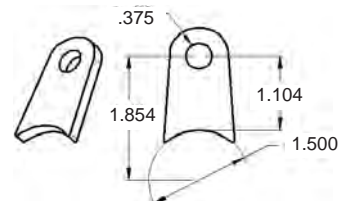
HRP0010T
WING SLIDER VALVE
TAB (ANGLED)
.260 DIA HOLE
MAT: .125 4130



HRP0011T
JACOBS LADDER
LOWER TAB
.375 DIA HOLE
MAT: .125 4130

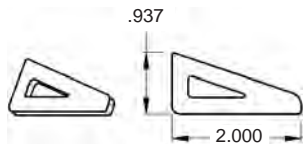


HRP0012T
JACOBS LADDER
UPPER TAB
.375 DIA HOLE
MAT: .125 4130

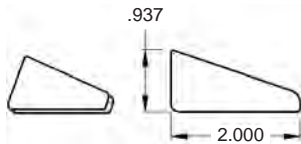


HRP0013T
TOP REAR
WING TAB
.375 DIA HOLE
MAT: .187 4130

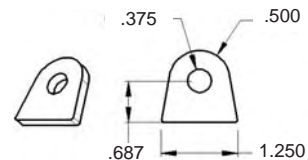
STOCK 4130 TABS & BRACKETS



HRP0014T
FRONT AXLE GUSSET
LIGHTENED
MAT: .125 4130

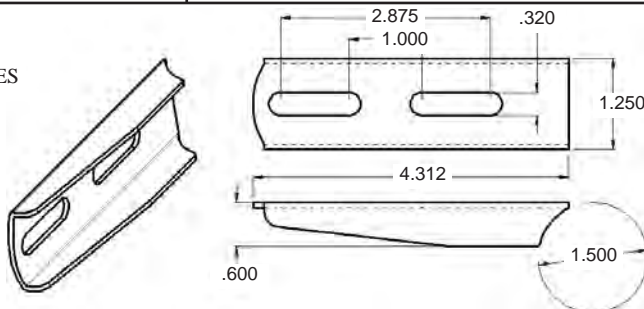


HRP0015K
FRONT AXLE GUSSET
STANDARD
MAT: 10GA MS (.135)

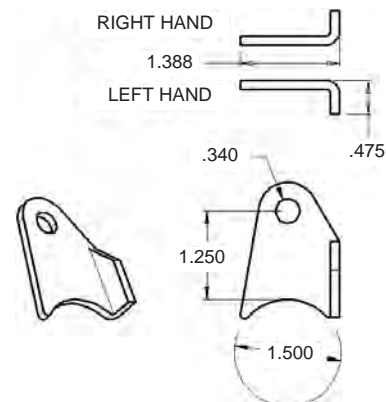


HRP0016T
OUTER FRAME RAIL
WING TAB
MAT: .187 4130

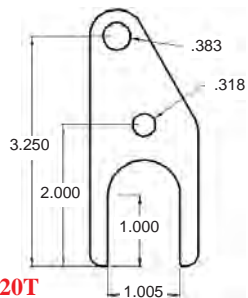
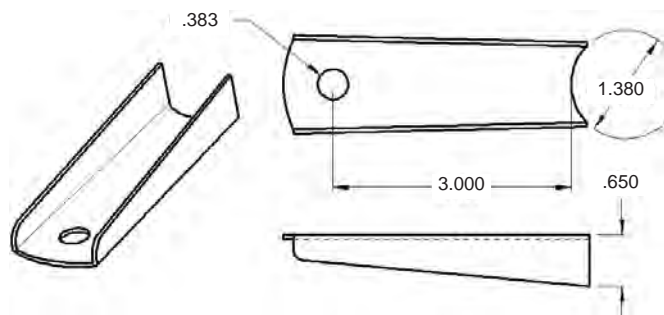
HRP0017F
COIL MOUNT BRACKET
SLOTTED MOUNTING HOLES
MAT: 14 GA MS



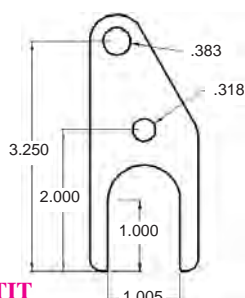
HRP0019T
OUTLAW TANK MOUNT
LOWER MOUNT
2 REQUIRED PER CAR
R/H & L/H AVAILABLE
MAT: .125 4130



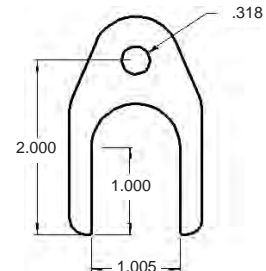
HRP0018T
OUTLAW TANK MOUNT
UPPER MOUNT
2 REQUIRED PER CAR
MAT: .060 4130



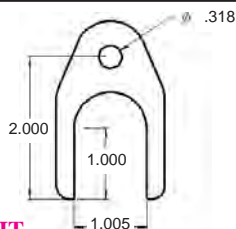
HRP0020T
INTERNAL WING
POST BRACKET
LEFT SIDE (LONG)
MAT: .125 4130



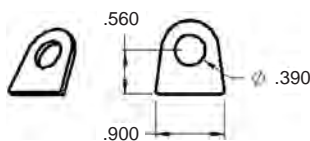
HRP0020T.TIT
INTERNAL WING
POST BRACKET
LEFT SIDE (LONG)
MAT: .125 TITANIUM



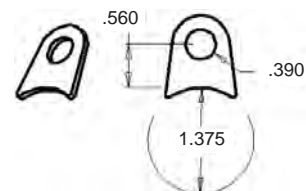
HRP0021T
INTERNAL WING
POST BRACKET
RIGHT SIDE (SHORT)
MAT: .125 4130



HRP0021T.TIT
INTERNAL WING
POST BRACKET
RIGHT SIDE (SHORT)
MAT: .125 TITANIUM

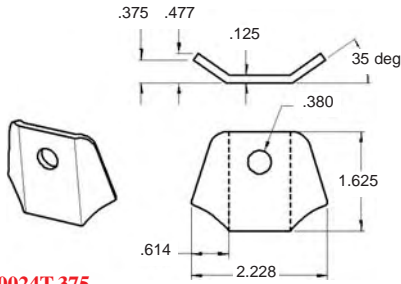


HRP0022F
BRAKE LINE TAB
WITH FLAT BOTTOM
MAT: 14 GA MS (.075)



HRP0023F
BRAKE LINE TAB
WITH 1.375 DIA COPE
MAT: 14 GA MS (.075)

STOCK 4130 TABS & BRACKETS



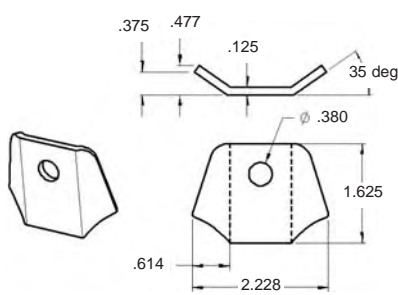
HRP0024T.375

3/8 HOLE

HRP0024T.312

5/16 HOLE

FORMED GUSSET BRACKET
 MASTER CYLINDER MOUNT
 LOWER FUEL TANK MOUNT
 MAT: .125 4130

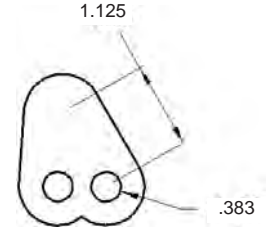


HRP0071J

WITH 3/8 HOLE

BENT TAB

MAT: .125 MS 11 GA



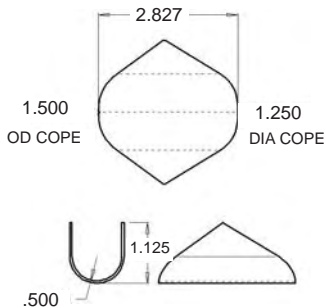
HRP0025T

DOUBLE JACOBS

LADDER MOUNT

TOP MOUNT

MAT: .125 4130



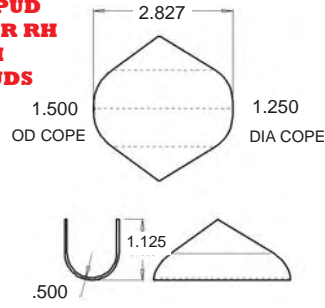
HRP0026D

DOWN TUBE WING

SPUD GUSSET

MAT: 18 GA MS

**OFFSET SPUD
 GUSSETS FOR RH
 AND LH
 WING SPUDS**



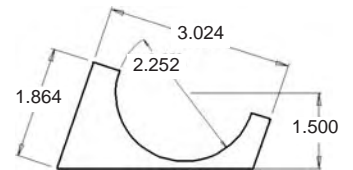
HRP0085D LH

HRP0085D RH

DOWN TUBE WING

SPUD GUSSET

MAT: 18 GA MS

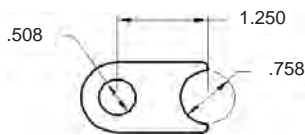


HRP0026T

STEERING MOUNT

SIDE

MAT: .060 4130



HRP0028T

INNER BIRDCAGE

TORSION ARM

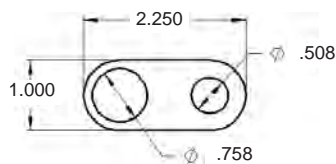
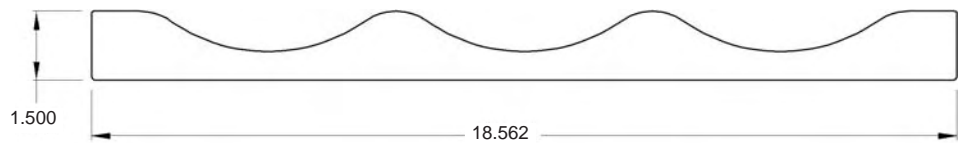
MOUNT TAB

MAT: .125 4130

HRP0027F

FLOOR PAN STRAP

MAT: 14 GA MS



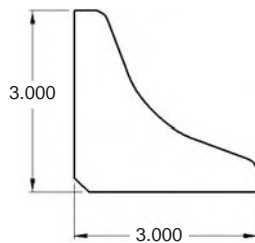
HRP0029T

OUTER BIRDCAGE

TORSION ARM

MOUNT TAB

MAT: .187 4130

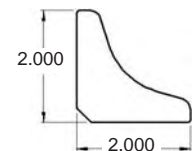


HRP0030M

GUSSET TAB

3"X3" .187 THICK

MAT: 7 GA MS

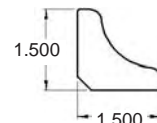


HRP0031J

GUSSET TAB

3"X3" .187 THICK

MAT: 11 GA MS



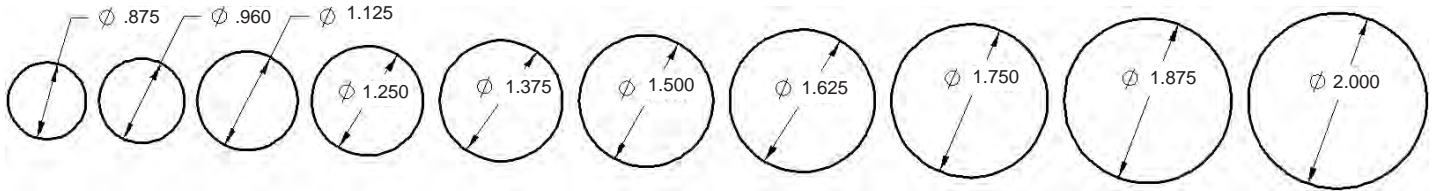
HRP0032J

GUSSET TAB

3"X3" .187 THICK

MAT: 11 GA MS

ROUND & SQUARE TUBE CAPS



.060 THICK TUBE CAPS

Diameter	GHI #
.875 dia	HRP0033E
.960 dia	HRP0034E
1.125 dia	HRP0035E
1.250 dia	HRP0036E
1.375 dia	HRP0037E
1.500 dia	HRP0038E
1.625 dia	HRP0039E
1.750 dia	HRP0040E
1.875 dia	HRP0041E
2.000 dia	HRP0042E

.125 THICK TUBE CAPS

Diameter	GHI #
.875 dia	HRP0033J
.960 dia	HRP0034J
1.125 dia	HRP0035J
1.250 dia	HRP0036J
1.375 dia	HRP0037J
1.500 dia	HRP0038J
1.625 dia	HRP0039J
1.750 dia	HRP0040J
1.875 dia	HRP0041J
2.000 dia	HRP0042J

STAINLESS STEEL ROUND TUBE CAPS

.960 dia HRP0034U SS CAP

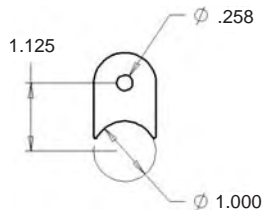
HRP0126W DISHED CAP STAINLESS STEEL



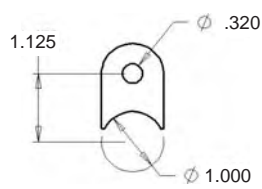
<p>HRP0043E 3/4" SQUARE TUBE CAP .660 SQUARE MAT: 16 GA MS</p>	<p>HRP0044F 1" SQUARE TUBE CAP .875 SQUARE MAT: 14 GA MS</p>	<p>HRP0045J 1.250" SQUARE TUBE CAP 1.125 SQUARE MAT: 14 GA MS</p>	<p>HRP0046J 1.500" SQUARE TUBE CAP 1.375 SQUARE MAT: 14 -11 GA MS</p>
---	---	--	--

<p>HRP0047J 2.00" SQUARE TUBE CAP 1.875 SQUARE MAT: 14-11 GA MS</p>	<p>HRP0048J 2"X3" RECTANGLE TUBE CAP 1.875 X 2.875 REC. MAT: 14-11 GA MS</p>	<p>HRP0049J 2" X 4" RECTANGLE TUBE CAP 1.875 X 3.875 REC. MAT: 14-11 GA MS</p>
--	---	---

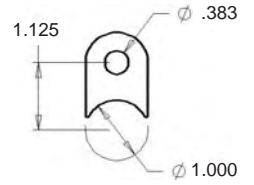
STOCK MILD STEEL BRACKETS



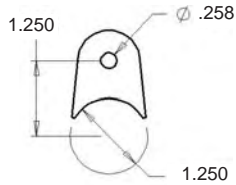
HRP0050J
1" WIDE TAB
WITH 1/4" HOLE
MAT: 11 GA MS



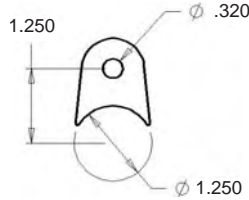
HRP0051J
1" WIDE TAB
WITH 5/16" HOLE
MAT: 11 GA MS



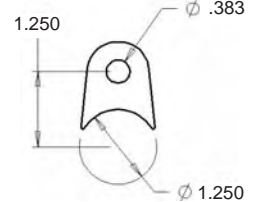
HRP0052J
1" WIDE TAB
WITH 3/8" HOLE
MAT: 11 GA MS



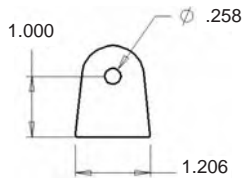
HRP0053J
1 1/4" WIDE TAB
WITH 1/4" HOLE
MAT: 11 GA MS



HRP0054J
1 1/4" WIDE TAB
WITH 5/16" HOLE
MAT: 11 GA MS

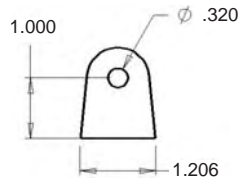


HRP0055J
1 1/4" WIDE TAB
WITH 3/8" HOLE
MAT: 11 GA MS



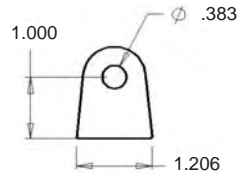
HRP0056M
MAT: 7 GA MS

HRP0056J
1 1/4" WIDE TAB
WITH 1/4" HOLE
MAT: 11 GA MS



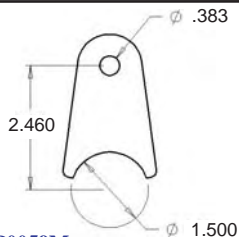
HRP0057M
MAT: 7 GA MS

HRP0057J
1 1/4" WIDE TAB
WITH 5/16" HOLE
MAT: 11 GA MS



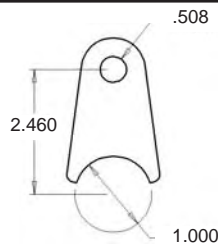
HRP0058M
MAT: 7 GA MS

HRP0058J
1 1/4" WIDE TAB
WITH 3/8" HOLE
MAT: 11 GA MS



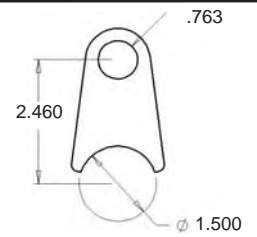
HRP0059M
MAT: 3/16 MS

HRP0059N
MAT: .250 MS
WITH 3/8" HOLE
1.500 COPE



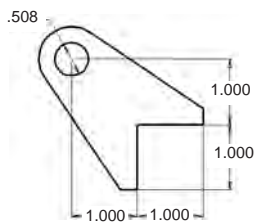
HRP0060M
MAT: 3/16 MS

HRP0060N
MAT: .250 MS
WITH 1/2" HOLE
1.500 COPE

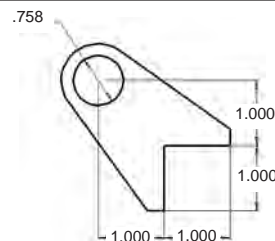


HRP0061M
MAT: 3/16 MS

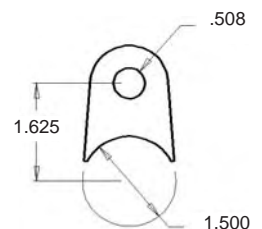
HRP0061N
MAT: .250 MS
WITH 3/4" HOLE
1.500 COPE



HRP0062J
SHOCK MOUNT
BRACKET
WITH 1/2" HOLE
MAT: .125 MS 11GA

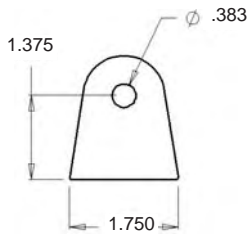


HRP0063J
SHOCK MOUNT
BRACKET
WITH 5/16" HOLE
MAT: 11 GA MS

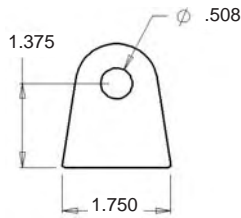


HRP0064J
MAT: .125 MS 11 GA
TAB WITH 1/2" HOLE

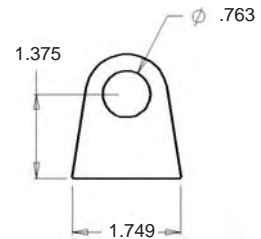
STOCK MILD STEEL BRACKETS



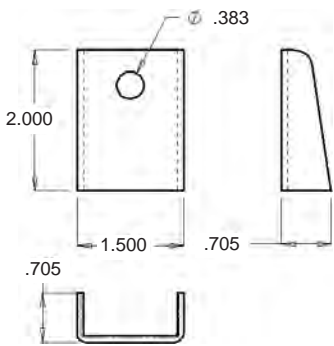
HRP0065M
 MAT: 3/16 MS
HRP0065N
 MAT": .250 MS
 WITH 3/8" HOLE
 1.500 COPE



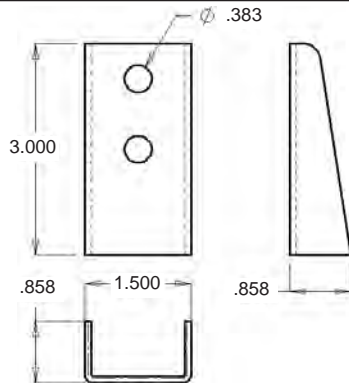
HRP0066M
 MAT: 3/16 MS
HRP0066N
 MAT": .250 MS
 WITH 1/2" HOLE
 1.500 COPE



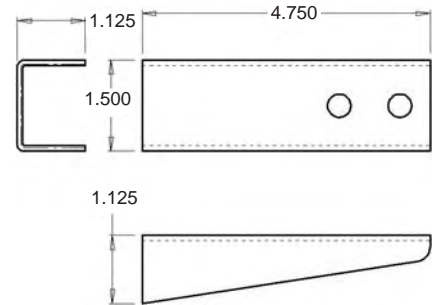
HRP0067M
 MAT: 3/16 MS
HRP0067N
 MAT": .250 MS
 WITH 3/4" HOLE
 1.500 COPE



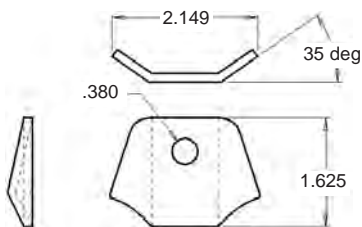
HRP0068G
 .090 MS
 WITH 3/8" HOLE
 FORMED BRACKET



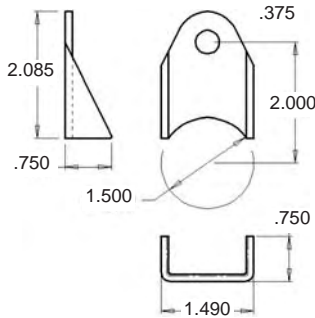
HRP0069G
 .090 MS
 WITH 3/8" HOLE
 FORMED BRACKET



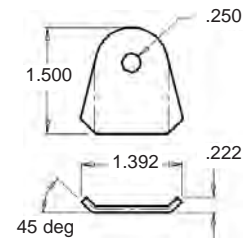
HRP0070G
 .090 MS
 WITH (2) 3/8" HOLES
 FORMED BRACKET



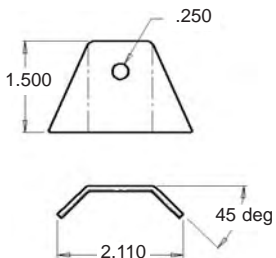
HRP0071J
 MAT: .125 MS 11 GA
 WITH 3/8" HOLE
 BENT TAB



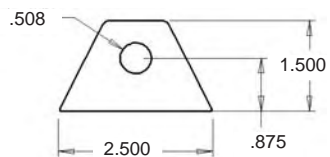
HRP0072J
 MAT: .125 MS 11 GA
 WITH 3/8" HOLE
 BENT TAB



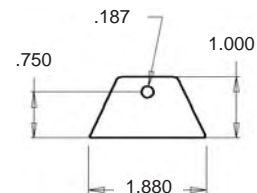
HRP0073G
 MAT: 13 GA MS
 WITH 3/8" HOLE
 BENT TAB



HRP0074G
 MAT: 13 GA MS
 WITH 1/4" HOLE
 BENT TAB

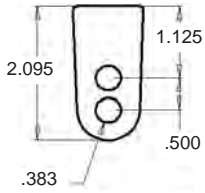


HRP0075J
 MAT: .125 MS 11 GA
HRP0076M
 MAT: .187 7 GA
HRP0077N
 MAT: .250 MS
 WITH 1/2" HOLE
 SEAT TAB

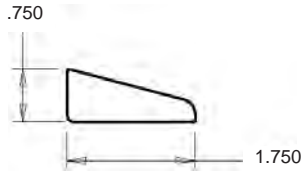


HRP0078E
 MAT: .062 MS 16 GA
HRP0079J
 MAT: .125 11 GA
 WITH 3/16" HOLE
 BODY TAB

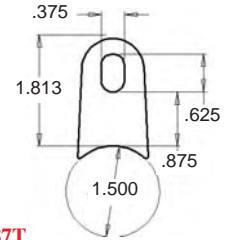
STOCK TABS & BRACKETS



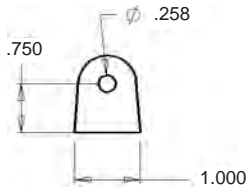
HRP0080T
 MAT: .125 MS 4130
 REAR MOTOR
 MOUNT TAB



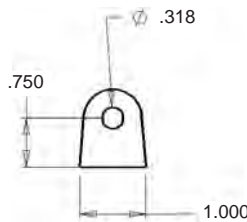
HRP0081K
 MAT: .125 MS 11 GA
 SMALL AXLE GUSSET



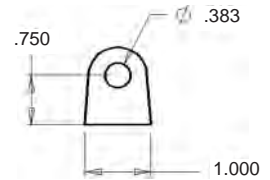
HRP0087T
 MAT: .187 4130
 LOWER FUEL TANK
 MOUNT



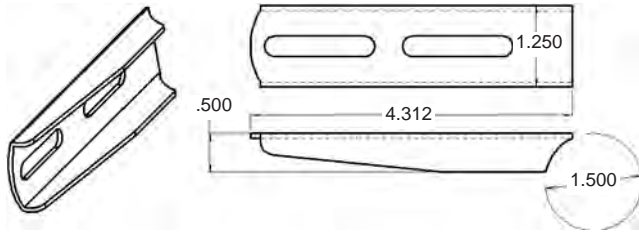
HRP0082J
 MAT: .125 MS 11 GA
 WITH 1/4" HOLE



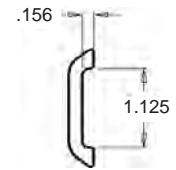
HRP0083J
 MAT: .125 MS 11 GA
 WITH 5/16" HOLE



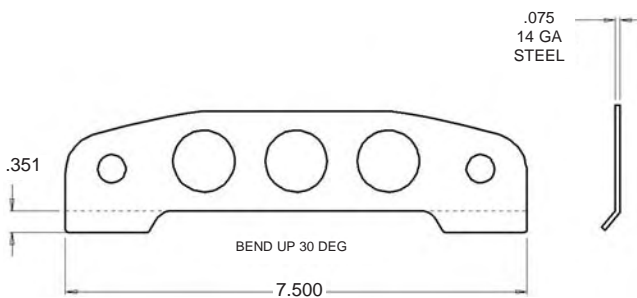
HRP0084J
 MAT: .125 MS 11 GA
 WITH 3/8" HOLE



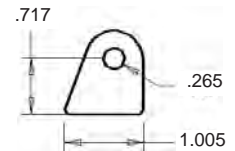
HRP0088F
 MAT: 14 GA MS
 LONG COIL MOUNT



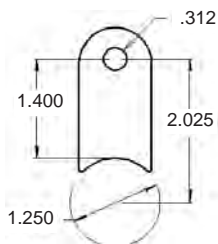
HRP0089G
 WINDOW NET
 LOCATOR
 MAT: .090 4130



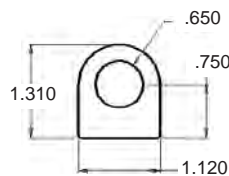
HRP0090F
 MAT: 14 GA MS
 RADIATOR MOUNT



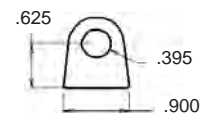
HRP0091T
 MAT: .187 4130
 WING CYLINDER
 TAB



HRP0092T
 MAT: .125 4130
 WITH .312 HOLE
 BRAKE PEDAL
 TAB

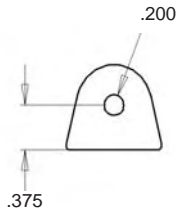


HRP0093F
 MAT: 14 GA MS
 BRAKE LINE
 TAB



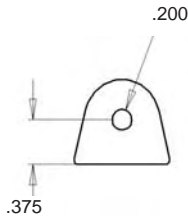
HRP0094T
 MAT: .090 4130
 TAB

TABS, CUSTOM NAME PLATES, BRACKETS



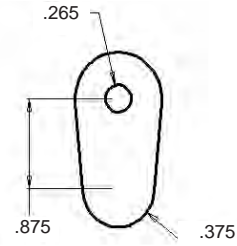
4130

HRP0096T
MAT: .090 4130
PLATE



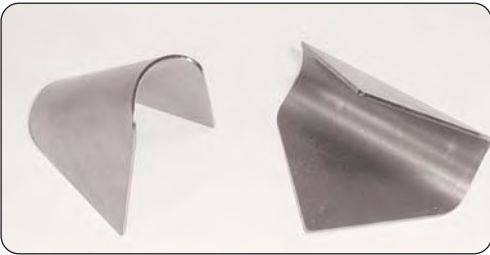
TITANIUM

HRP0097T
MAT: .080 TIT
PLATE

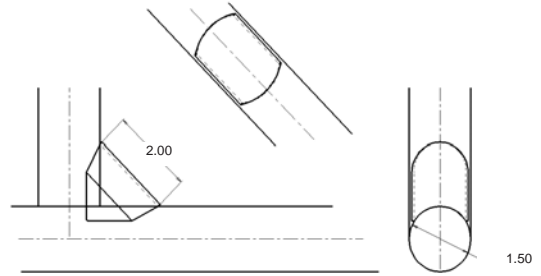


TITANIUM

HRP0098T
MAT: .080 TIT
PLATE



HRP0095T
4130 TUBE GUSSET
FITS 1.50 TUBE

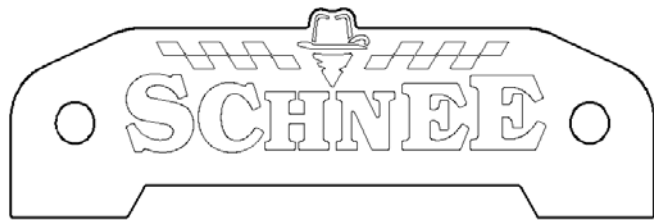


CUSTOM NAME PLATE AND RADIATOR MOUNTS

* HRP SPECIALIZES IN CUSTOM PRODUCTS. GET YOUR COMPANY LOGO LASER CUT AND WELD IT ON YOUR CHASSIS

* THESE PRICES ARE APPROXIMATE FOR SOMETHING THIS DETAILED AND APPROX. 2.5 X 8.5

HRP0099T CUSTOM RADIATOR PLATE
HRP0100T CUSTOM NAME PLATE



SHOCK MOUNTS

MILD STEEL
MOUNT
WITH BOLT, NUT,
& SPACER

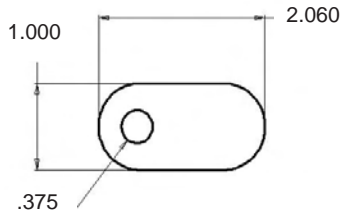


HRP0103J
STANDARD SHOCK MOUNT
WITH BOLT, NUT, & SPACER
1.625 WIDE

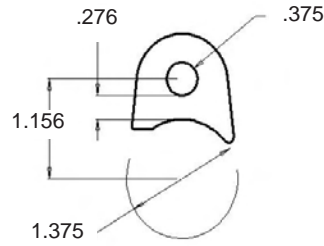
HRP0104J
SMALL SHOCK MOUNT
WITH BOLT, NUT, & SPACER
1.062 WIDE

HRP0105J
COPE SHOCK MOUNT
WITH BOLT, NUT, & SPACER
1.625 WIDE

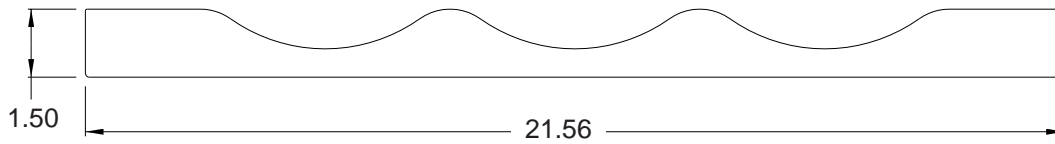
STOCK TABS & BRACKETS



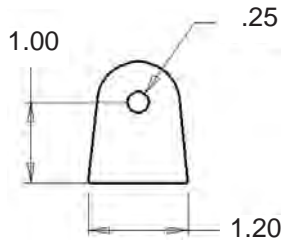
HRP0101T
HEAVY DUTY JACOBS
LADDER TAB UPPER
.187 4130



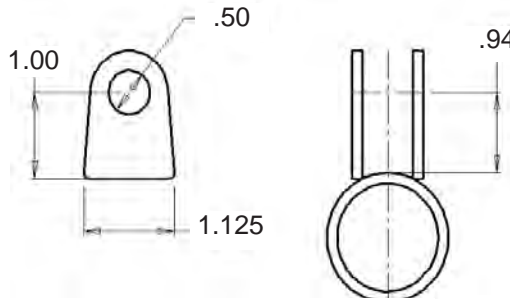
HRP0102T
HEAVY DUTY JACOBS
LADDER TAB LOWER
.187 4130



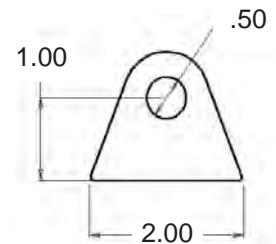
FLOOR PAN STRAP
HRP0106F



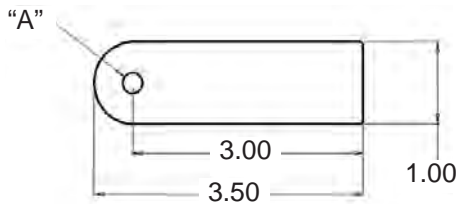
TITANIUM TAB .090
HRP0056.TIT



CLEVIS TAB .125 4130
HRP0107T

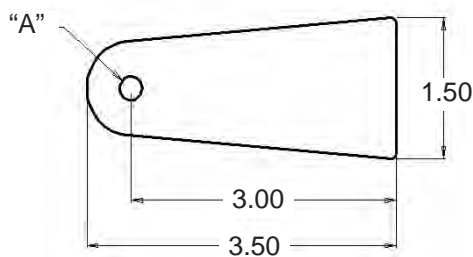


CLEVIS TAB .125 4130
HRP0108T



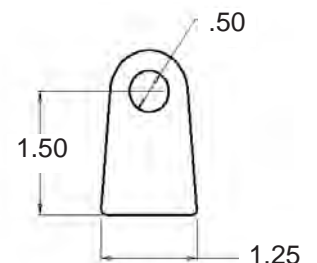
LONG TAB .125 4130

- HRP0109T** A = .250 DIA
- HRP0110T** A = .312 DIA
- HRP0111T** A = .375 DIA
- HRP0112T** A = .500 DIA

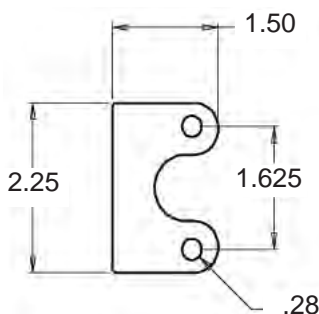


LONG TAB .187 4130

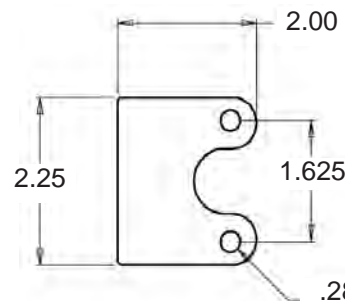
- HRP0113T** A = .250 DIA
- HRP0114T** A = .312 DIA
- HRP0115T** A = .375 DIA
- HRP0116T** A = .500 DIA



CLEVIS TAB .187 4130
HRP0117T



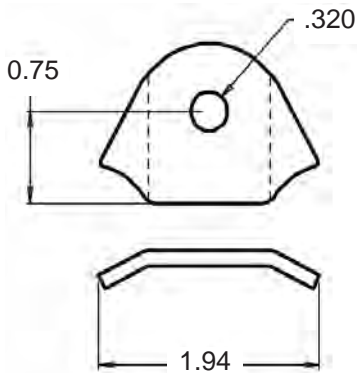
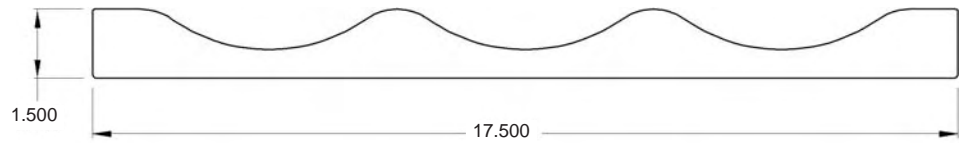
HRP0118T
WEIGHT JACK PLATE
SHORT
.112 4130



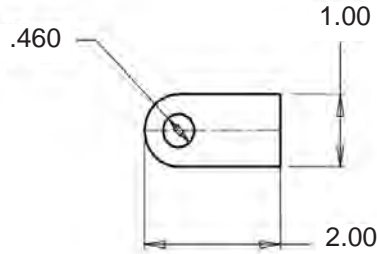
HRP0119T
WEIGHT JACK PLATE
LONG
.120 4130

TABS, DZUS BUTTONS & PLATES

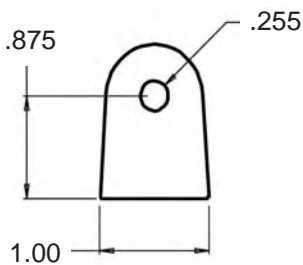
HRP0120F
FLOOR PAN STRAP
MAT: 14 GA MS



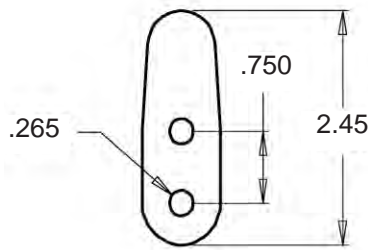
HRP0121T
TAB
11 GA MS



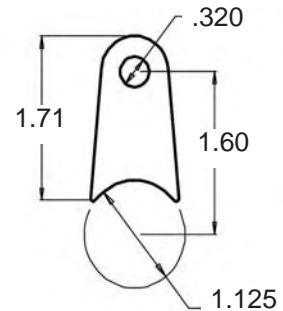
HRP0122T
TAB
11 GA MS



HRP0123T
TAB
11 GA MS

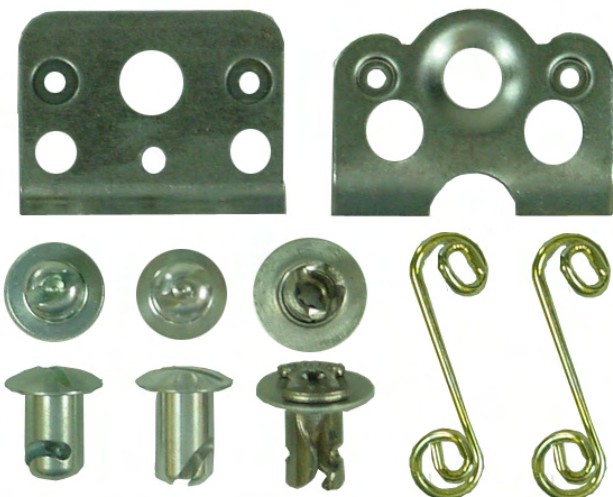


HRP0124T
REAR WING STRAP TAB
.120 4130



HRP0125T
HALF GEAR MOUNT TAB
.120 4130

DZUS BUTTONS & PLATE



SPRINGS

- HRP0300 .275 SPRING
- HRP0301 .325 SPRING
- HRP0302 .375 SPRING
- HRP0303 .425 SPRING

STEEL BUTTONS

- HRP0310 .400 BUTTON
- HRP0311 .500 BUTTON
- HRP0312 .550 BUTTON

ALUM BUTTON

- HRP0321 .500 BUTTON

STEEL LW BUTTON BUTTON

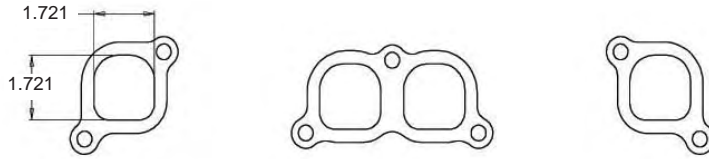
- HRP0329

STEEL PLATES

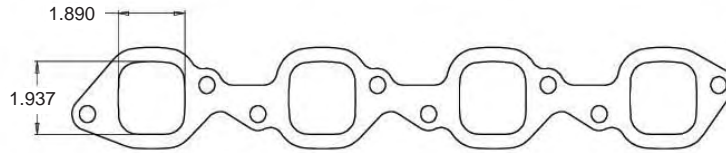
- HRP0350 STD PLATE
- HRP0351 LW PLATE
- HRP0352 TITANIUM PLATE
- HRP0353 ALUMINUM PLATE

HEADER FLANGES

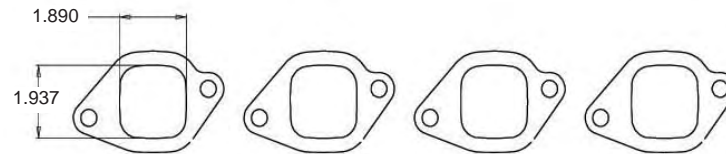
PRICING ON PAGE 67



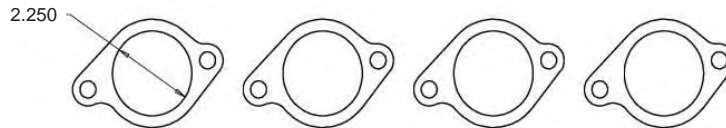
HRP0800
CHEVY SPREAD PORT FLANGE
SOLD EACH SIDE/PER HEAD
3 PCS



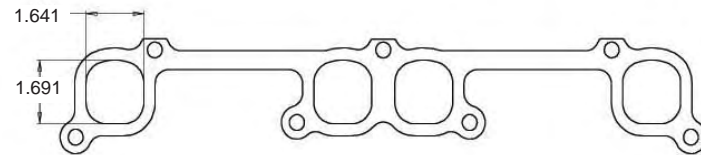
HRP0801
CHEVY BIG BLOCK FLANGE
SOLD EACH SIDE/PER HEAD
1 PC



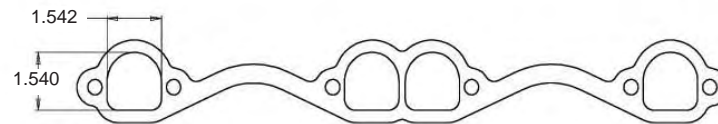
HRP0802
CHEVY BIG BLOCK FLANGE
SOLD EACH SIDE/PER HEAD
4 PCS



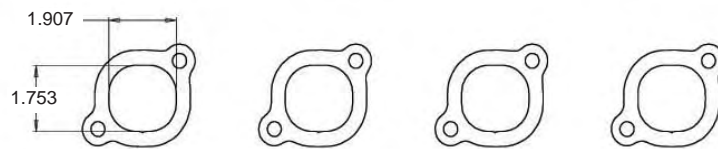
HRP0803
CHEVY BIG BLOCK FLANGE
SOLD EACH SIDE/PER HEAD
4 PCS



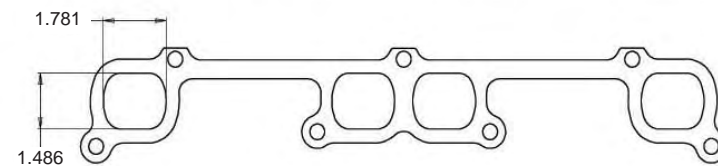
HRP0806
CHEVY SPREAD PORT FLANGE
SOLD EACH SIDE/PER HEAD
1 PC



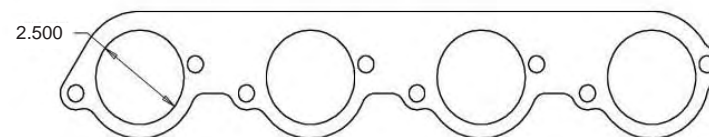
HRP0807
CHEVY STD FLANGE
SOLD EACH SIDE/PER HEAD
1 PC



HRP0808
YATES FORD FLANGE
SOLD EACH SIDE/ PER HEAD
4 PCS



HRP0809
CHEVY SPREAD PORT AFR
SOLD EACH SIDE/PER HEAD
1 PC



HRP0810
CHEVY BIG BLOCK FLANGE
2.500 DIA HOLE
SOLD EACH SIDE/ PER HEAD
1 PC



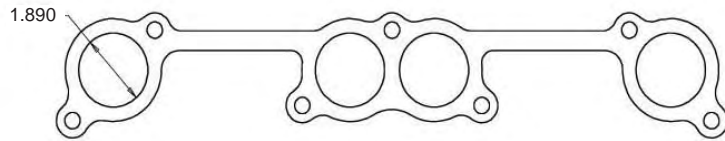
HRP0811
CHEVY BIG BLOCK FLANGE
2.125 DIA HOLE
SOLD EACH SIDE/ PER HEAD
1 PC

HEADER FLANGES

PRICING ON PAGE 67

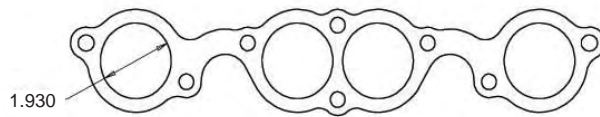
HRP0812

CHEVY STD FLANGE
1.875 DIA HOLE
SOLD EACH SIDE/ PER HEAD
1 PC



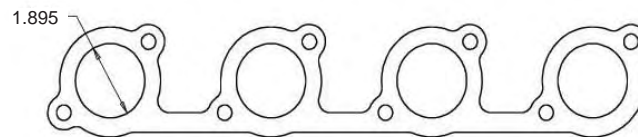
HRP0813

CHEVY SB-2
1.875 DIA HOLE
SOLD EACH SIDE/PER HEAD
1 PC



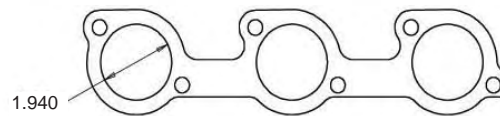
HRP0814

FORD YATES FLANGE
1.875 DIA HOLE
SOLD EACH SIDE/PER HEAD
1 PC



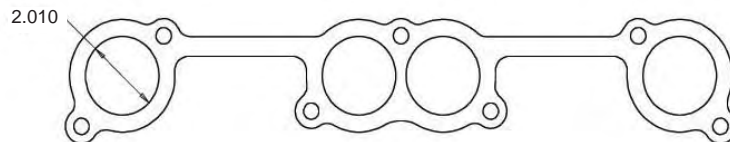
HRP0815

BUICK FLANGE
SOLD EACH SIDE/PER HEAD
1 PC



HRP0816

CHEVY SPREAD PORT FLANGE
2.00 DIA HOLE
SOLD EACH SIDE/PER HEAD
1 PC



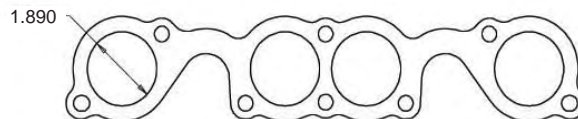
HRP0817

CHEVY STD FLANGE
SOLD EACH SIDE/ PER HEAD
1 PC



HRP0818

DODGE FLANGE
SOLD EACH SIDE/ PER HEAD
1 PC



HRP0819

CHEVY 18 DEG FLANGE
SOLD EACH SIDE/ PER HEAD
1 PC



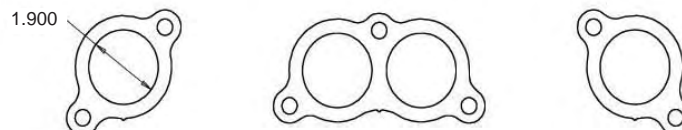
HRP0820

CHEVY L2-1 & LS-6 FLANGE
SOLD EACH SIDE/ PER HEAD
1 PC



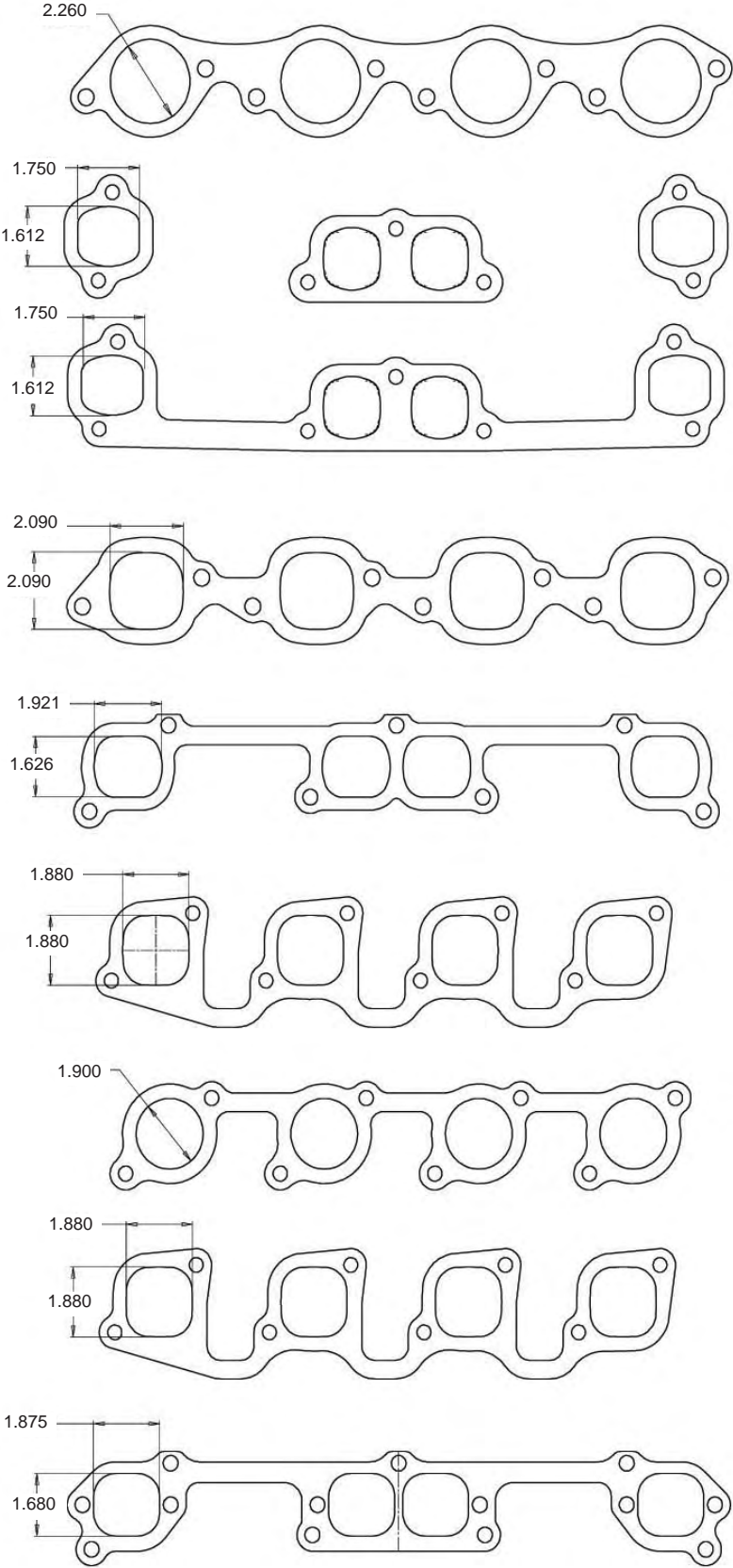
HRP0821

CHEVY SPREAD PORT FLANGE
SOLD EACH SIDE/ PER HEAD
1 PC



HEADER FLANGES

PRICING ON PAGE 67



HRP0822
CHEVY BIG BLOCK FLANGE
SOLD EACH SIDE/ PER HEAD
1 PC

HRP0823
CHEVY 409 FLANGE
SOLD EACH SIDE/ PER HEAD
1 PC

HRP0824
CHEVY 409 FLANGE
SOLD EACH SIDE/ PER HEAD
1 PC

HRP0825
CHEVY BIG BLOCK FLANGE
SOLD EACH SIDE/ PER HEAD
1 PC

HRP0826
CHEVY SPREAD PORT FLANGE
SOLD EACH SIDE/ PER HEAD
1 PC

HRP0827
FORD FLANGE
SOLD EACH SIDE/ PER HEAD
1 PC

HRP0828
CHEVY FLANGE
SOLD EACH SIDE/ PER HEAD
1 PC

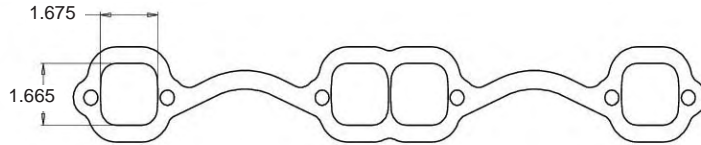
HRP0829
FORD FLANGE
SOLD EACH SIDE/ PER HEAD
1 PC

HRP0830
CHEVY 18 DEG FLANGE
SOLD EACH SIDE/ PER HEAD
1 PC

HEADER FLANGES

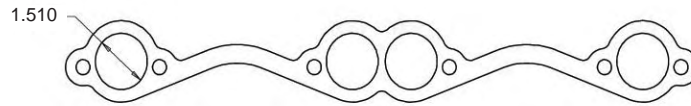
HRP0832

CHEVY STD FLANGE
SOLD EACH SIDE/ PER HEAD
1 PC



HRP0833

CHEVY STD FLANGE
SOLD EACH SIDE/ PER HEAD
1 PC



EXHAUST PORT COVER UP PLATES



HRP0916

CHEVY STD FLANGE
1 SET = 1 COMPLETE ENGINE



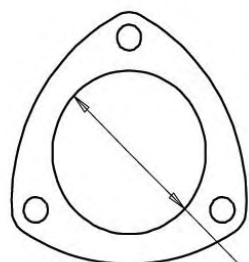
HRP0917

CHEVY STD FLANGE
1 SET = 1 COMPLETE ENGINE

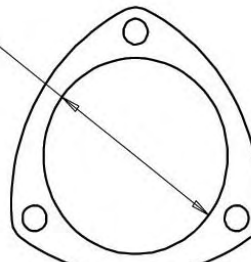


HRP0997

2.50" COLLECTOR FLANGE
SOLD EACH



3.015



HRP0998

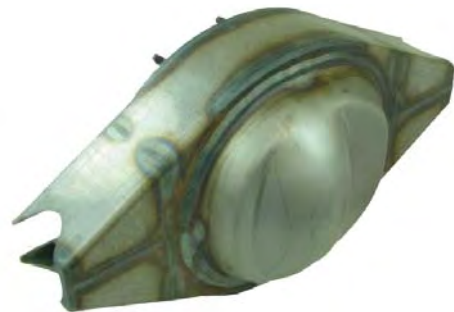
3" COLLECTOR FLANGE
SOLD EACH



9" REAR END HOUSINGS



WINTERS FORD 9 "
IMCA LEGAL HOUSING
3.00 TUBE STANDARD STAMPED HOUSING
25 POUNDS



STREET AND STRIP
HRP HOUSING
3.00 TUBE 10 GA HF50 HOUSING
3.25 TUBE 10 GA HF50 HOUSING
18 POUNDS



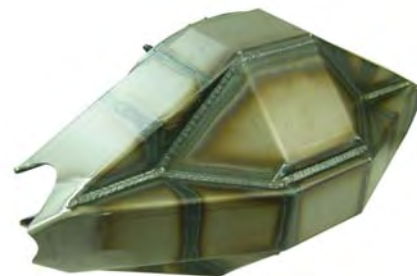
NASCAR REAR END
HRP HOUSING
3.00 TUBE .187 MS STD 20 POUNDS HOUSING
3.00 TUBE .187 MS LW 17 POUNDS HOUSING



OLD STYLE FORD
BANJO REPLICA
HRP HOUSING
3.00 TUBE STEEL REPRODUCTION
17 POUNDS



HD RACE FABRICATED
CHOPPED END
HRP HOUSING
3.25 TUBE 10 GA HF50 HOUSING
3.50 TUBE 10 GA HF50 HOUSING
25 POUNDS



HD RACE FABRICATED
HRP HOUSING
3.25 TUBE 10 GA HF50 HOUSING
3.50 TUBE 10 GA HF50 HOUSING
25 POUNDS

**PURCHASE AN HRP HOUSING BARE AND WELD IN
YOUR OWN TUBES.**

9" REAR END HOUSINGS



**FORD 9" CENTER
#8 POLISHED SS HOUSING**
STREET ROD SHINE
19 POUNDS



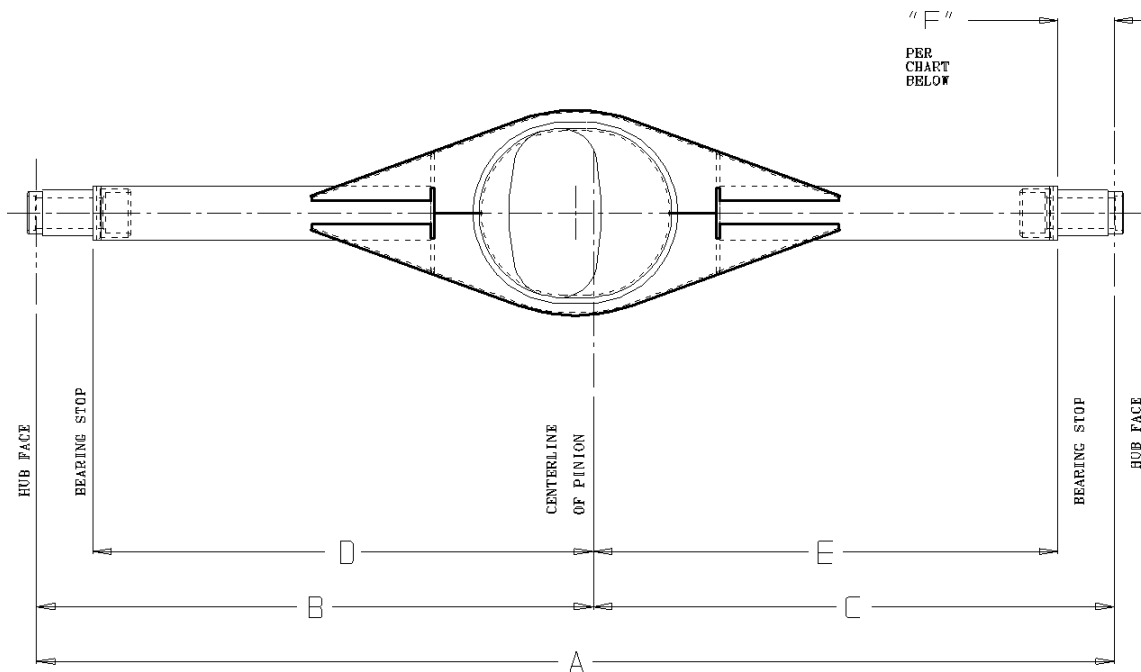
**FORD 9"
STEPPED COVER**



**EARLY FORD
ROUND BANJO
STYLE COVER**



HRP RACE HOUSINGS WITH AXLE TUBES BUILT TO SPEC



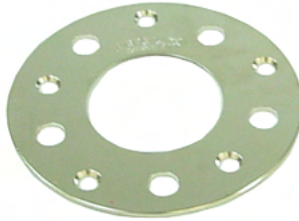
9" REAR END HOUSINGS

WHEEL SPACERS

****APPROVED FOR COMPETITION IN NASCAR****



XR00645.063
1/16 THICK SPACER



XR00645.125
1/8 THICK SPACER



XR00645.187
3/16 THICK SPACER



XR00645.250
1/4 THICK SPACER

- DISCOUNT PRICES FOR LARGE QUANTITIES -



HRP4290
FRONT MOTOR
MOUNT



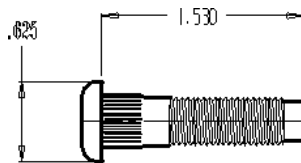
HRP4291
REAR MOTOR
MOUNT



HRP4292
REAR MOTOR
MOUNT KIT



WINTERS HUB
STANDARD 5X5
HUB



HRP4499
9" REAR END STUD
FITS HRP, STOCK FORD, AND
MOST AFTER-MARKET HOUSINGS



HRP6050
THIRD
MEMBER CASE
*POWDER COATED



MARC CASWELL #75
POWERCOM PARK

JIM RANSOM 1957
CHEVY



HOT ROD & STREET ROD REAR ENDS

HRP4040.LH
TRAILING ARM MOUNT
LEFT HAND
3.00 TUBE WELD ON
MATERIAL: 7 GA MS

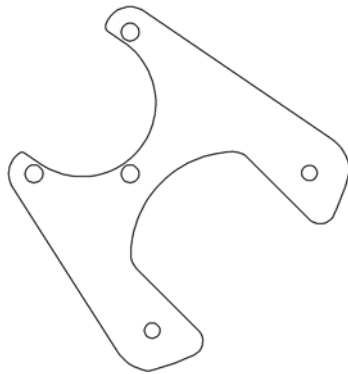
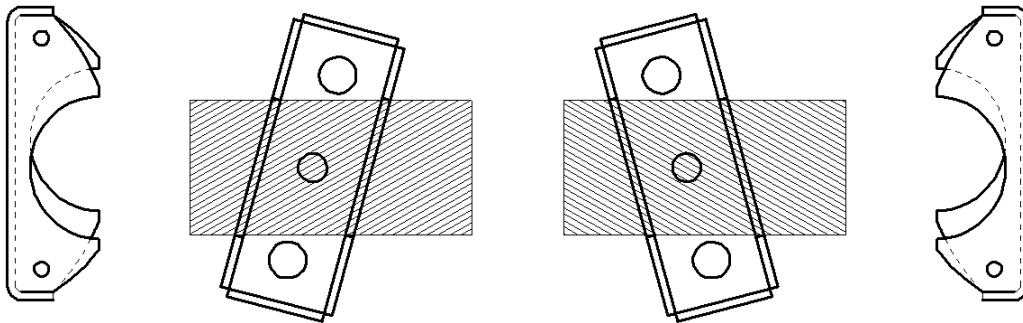


HRP4040.RH
TRAILING ARM MOUNT
RIGHT HAND
3.00 TUBE WELD ON
MATERIAL: 7 GA MS



HRP4041.LH
TRAILING ARM MOUNT
LEFT HAND
3.00 TUBE WELD ON
MATERIAL: .125 4130

HRP4041.RH
TRAILING ARM MOUNT
RIGHT HAND
3.00 TUBE WELD ON
MATERIAL: .125 4130



HRP4619
METRIC CALIPER BRACKET
LEFT HAND
MATERIAL: 3/8 MS

HRP4620
METRIC CALIPER BRACKET
RIGHT HAND
MATERIAL: 3/8 MS



HRP4630
BIG FORD BEARING FLANGE
MATERIAL:



HRP4621
BEARING RETAINER PLATE
MATERIAL: 10 GA MS



HRP4621
BEARING RETAINER PLATE
MATERIAL: 10 GA MS



HRP4622
BEARING SPACER PLATE
MATERIAL: 10 GA MS

A-ARMS AND TRAILING ARM BRACKETS

LH A-ARM



RH A-ARM



NEW REAR STEER NOVA CONTROL ARMS

USED TO WIDEN FRONT END OF 78-87 G-BODY CARS

HRP4262A-ARMS LH NOVA
HRP4263 A-ARMS RH NOVA

SHOCK MOUNTS

MILD STEEL
MOUNT
WITH BOLT, NUT,
& SPACER



HRP0103J

STANDARD SHOCK MOUNT
WITH BOLT, NUT, & SPACER
1.625 WIDE

HRP0104J

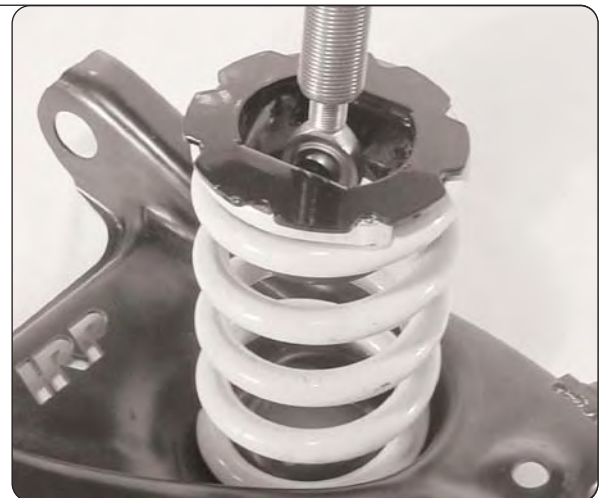
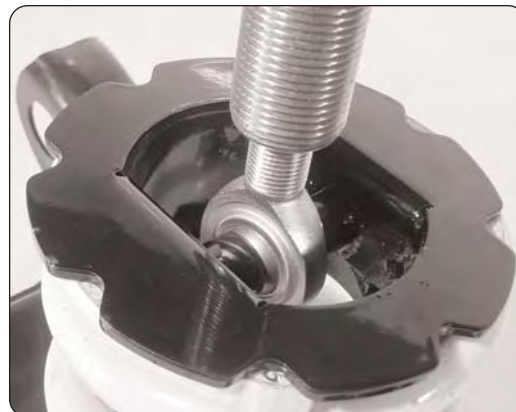
SMALL SHOCK MOUNT
WITH BOLT, NUT, & SPACER
1.062 WIDE

HRP0105J

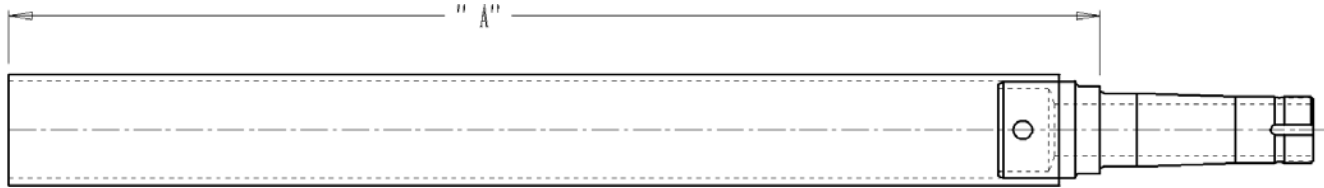
COPEDED SHOCK MOUNT
WITH BOLT, NUT, & SPACER
1.625 WIDE

PIVOTING COIL SPRING CUP

**HRP4023
COMPETE ASSY**
PIVOTING COIL SPRING CUP
WITH 1/2 X 5/8 STEEL HEIM
& BOLT

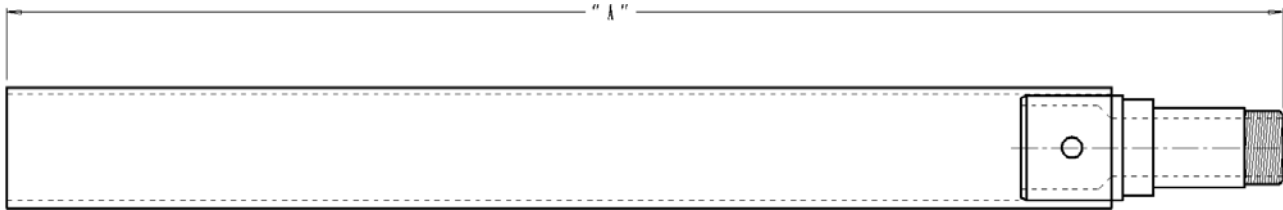


AXLE TUBES & SPINDLES



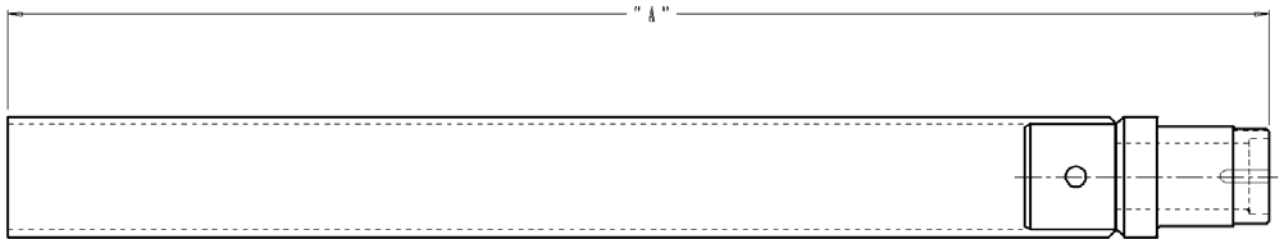
HRP4500
WIDE 5 AXLE TUBE
3" OD MILD STEEL
"A" = LENGTH

HRP4501
WIDE 5 AXLE TUBE
3" OD 4130
"A" = LENGTH



HRP4502
HOWE 5X5 AXLE TUBE
3" OD MILD STEEL
"A" = LENGTH

HRP4503
HOWE 5X5 AXLE TUBE
3" OD 4130
"A" = LENGTH



HRP4504
STOCK CAR 5X5 AXLE
TUBE
3" OD MILD STEEL
"A" = LENGTH

HRP4505
STOCK CAR 5X5 AXLE
TUBE
3" OD 4130
"A" = LENGTH

PRECISION GROUND & SNOUT TRUE WITHIN .005 IN CONCENTRICITY



HRP4525
WIDE 5 SNOUT
MILD STEEL

HRP4526
HOWE SNOUT
MILD STEEL

HRP4527
STOCK CAR PRODUCTS SNOUT
MILD STEEL



HRP4550
WIDE 5 SNOUT
MILD STEEL

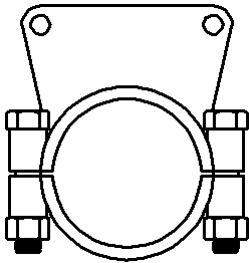


HRP4551
HOWE SNOUT
MILD STEEL

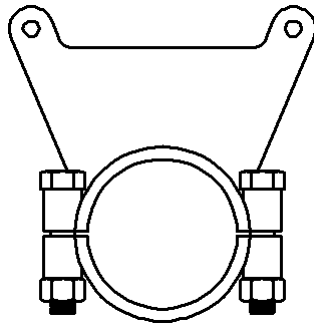


HRP4552
STOCK CAR
PRODUCTS SNOUT
MILD STEEL

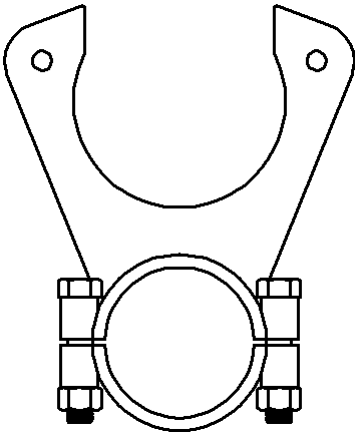
BOLT ON CALIPER BRACKETS



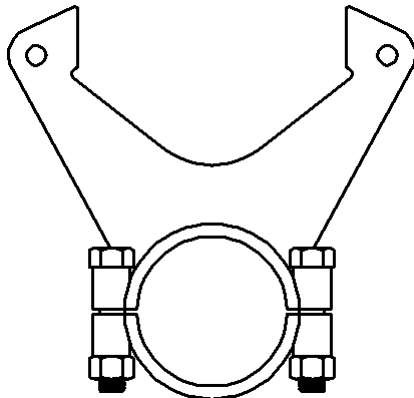
HRP4010
SUPER-LITE
3.00 TUBE CLAMP ON



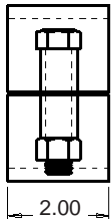
HRP4011
DYNA-LITE
3.00 TUBE CLAMP ON



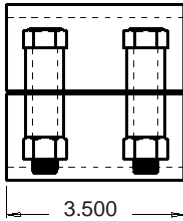
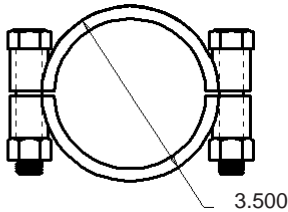
HRP4012
SMALL GM CALIPER
3.00 TUBE CLAMP ON



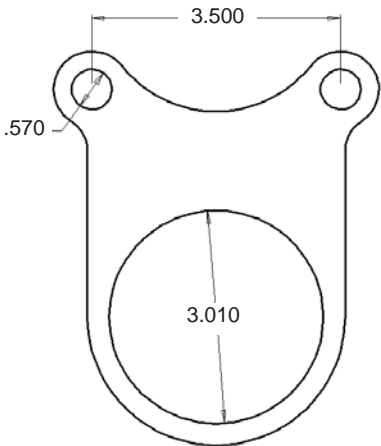
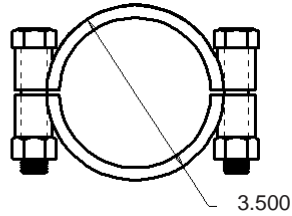
HRP4013
LARGE GM CALIPER
3.00 TUBE CLAMP ON



HRP4014
2" WIDE MOUNT
3.00 TUBE CLAMP ON

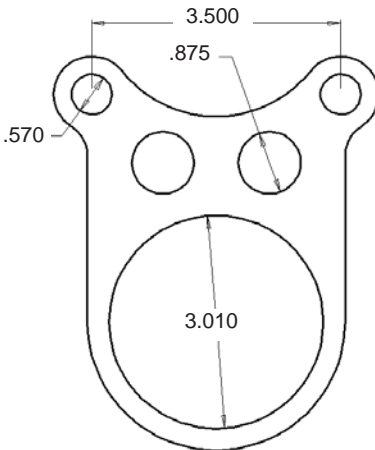


HRP4015
3 1/2" WIDE MOUNT
3.00 TUBE CLAMP ON



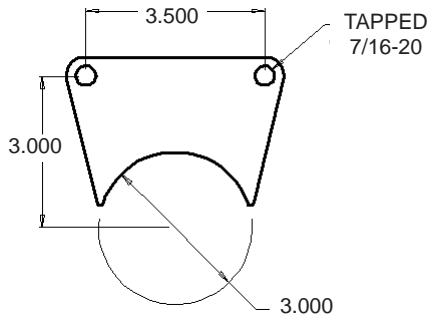
HRP4008
NEXTTEL CUP STYLE
BRAKE MOUNT
3.00 TUBE WELD ON
MATERIAL: .312 MS

HRP4008.375
NEXTTEL CUP STYLE
BRAKE MOUNT
3.00 TUBE WELD ON
MATERIAL: .375 MS

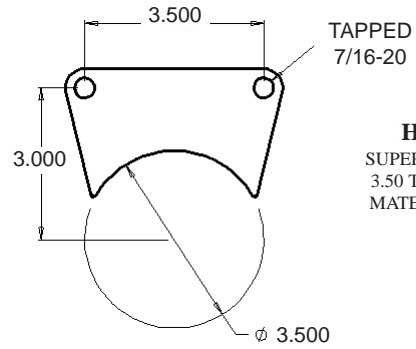


HRP4009
NEXTTEL CUP STYLE
BRAKE MOUNT
LIGHTWEIGHT
3.00 TUBE WELD ON
MATERIAL: .250 4130

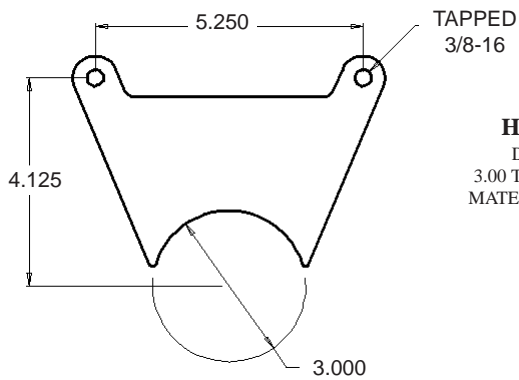
BRAKE CALIPER BRACKETS



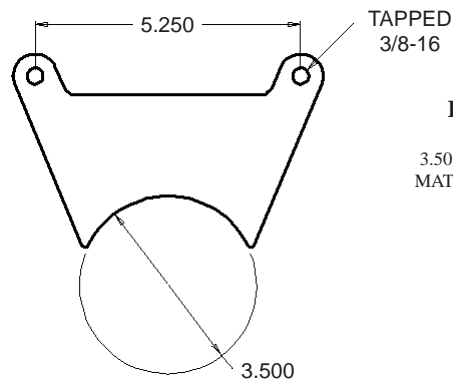
HRP4000N
SUPER-LITE CALIPER
3.00 TUBE WELD ON
MATERIAL: .250 MS



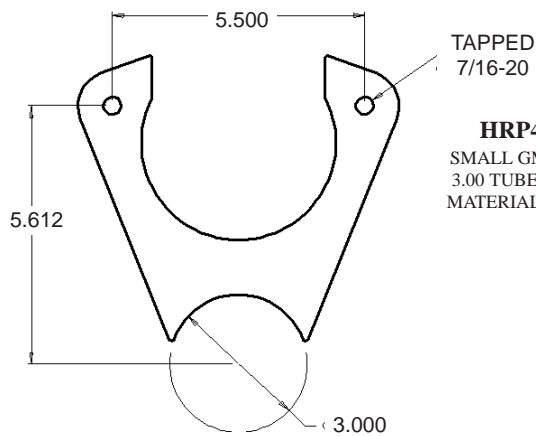
HRP4001N
SUPER-LITE CALIPER
3.50 TUBE WELD ON
MATERIAL: .250 MS



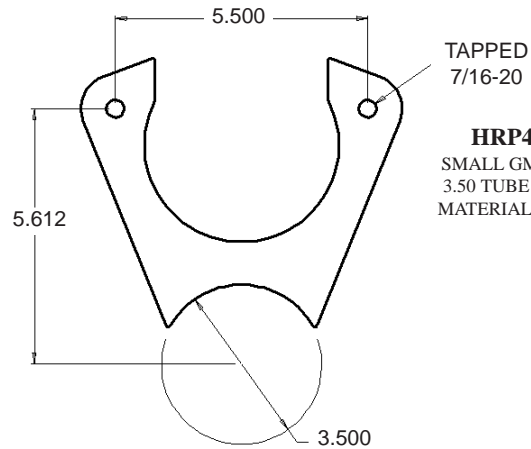
HRP4002M
DYNA-LITE
3.00 TUBE WELD ON
MATERIAL: 7 GA MS



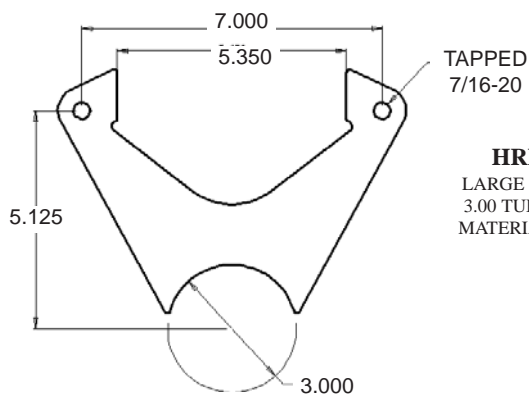
HRP4003M
DYNA-LITE
3.50 TUBE WELD ON
MATERIAL: 7 GA MS



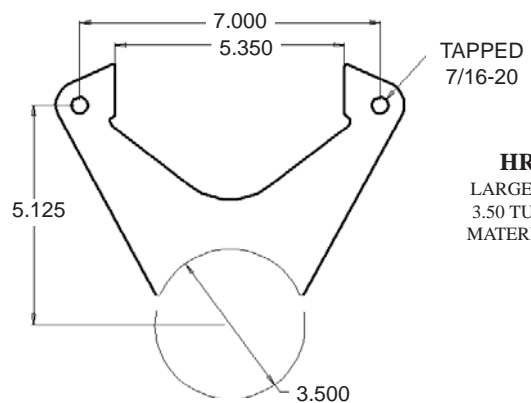
HRP4004M
SMALL GM CALIPER
3.00 TUBE WELD ON
MATERIAL: 7 GA MS



HRP4005M
SMALL GM CALIPER
3.50 TUBE WELD ON
MATERIAL: 7 GA MS



HRP4006M
LARGE GM CALIPER
3.00 TUBE WELD ON
MATERIAL: 7 GA MS



HRP4007M
LARGE GM CALIPER
3.50 TUBE WELD ON
MATERIAL: 7 GA MS

VALVE COVERS & KITS

DON HENNINGER 1969 Z-28 CAMARO



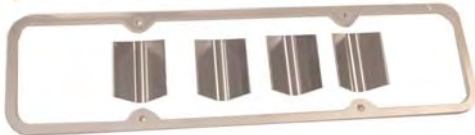
CHEVY VALVE COVER KIT

HRP7520 SET OF 2 COVERS COMPLETE HRP7521
SET OF 2 COVERS W/ CROSS OVER AND FILTER
HRP7522 SET OF 2 COVERS WITH OILERS



POP-OFF VALVE

-12 W/FILTER
PTR08-0450



CHEVY VALVE COVER KIT

HRP7500 KIT W/NO CROSS OVER
HRP7501 KIT WITH CROSS OVER

VALVE COVER AND OIL PAN GASKETS



VALVE COVER GASKETS

OIL PAN GASKETS PRICED



MANY APPLICATIONS AVAILABLE CALL FOR YOURS!!



CROSS OVER KIT

HRP7506 CROSS OVER (MAIN TUBE ONLY)

HRP7505 CROSS OVER KIT(4 PCS)



CHEVY OIL PAN RAILS HRP7700 KIT

PRESS IN BOSS

HRP'S UNIQUE PRESSED IN WASHER INSERT
HRP7515 MS INSERT

HRP7516 SS INSERT



ENGINE ACCESSORIES

SPARK PLUGS

Autolite®

**AUTOLITE
SPARK PLUGS**



- AR2592
- AR2993
- AR2594
- AR3931
- AR3932
- AR3933
- AR3934



**NGK
SPARK PLUGS**

- NGK8
- NGK9
- NGK10



2 5/8" GAUGES

OIL PRESSURE
ULTRANITE
SPORTCOMP

WATER TEMP
ULTRANITE
SPORTCOMP



SCOTT ASCHER MID-AMERICAN
SPORTSMAN SLINGER SPEEDWAY



MSD IGNITION PRODUCTS

- PRO MAG**
- MSD7908
- POINTS BOX**
- MSD8106
- CAP & ROTOR**
- MSD7919
- KILL SWITCH**
- MSD8111
- PLUG WIRE SET**
- MSD31549



ENGINE LIFT PLATE HRP6001

ENGINE LIFT PLATE
MAT: 7 GA MS

* BOLTS WHERE CARB WOULD MOUNT.
*POWDER COATED



MAG HOLD DOWN

HRP8021

Mag Hold Down With Stud

HRP8022

Mag Hold Down No Stud



STOCK TUBE AND SHEET

4130 TUBE STOCK SOLD PER FOOT

Tube Type	OD X WALL			
4130 RD	.500 x .058			
4130 RD	.625 x .058			
4130 RD	.750 x .058			
4130 RD	.750 x .120			
4130 RD	.750 x .156			
4130 RD	.875 x .058			
4130 RD	1.00 x .035			
4130 RD	1.00 x .058			
4130 RD	1.00 x .065			
4130 RD	1.00 x .095			
4130 RD	1.00 x .120			
4130 RD	1.125 x .058			
4130 RD	1.125 x .095			
4130 RD	1.125 x .120			
4130 RD	1.25 x .065			
4130 RD	1.25 x .083			
4130 RD	1.25 x .095			
4130 RD	1.25 x .120			
4130 RD	1.375 x .095			
4130 RD	1.500 x .095			
4130 RD	1.500 x .120			
4130 RD	1.750 x .120			
4130 RD	2.000 x .120			
4130 RD	2.25 x .120			
4130 RD	2.500 x .095			
4130 RD	3.00 x .187			
4130 REC	2 x 1 x .080			
4130 REC	1.5 x 1 x .065			
4130 SQ	1 x 1 x .065			

GHI STOCKS A LARGE VARIETY OF MATERIAL NOT LISTED. CALL FOR PRICE AND AVAILABILITY

FLAT SHEET

4130 Moly Sheet/Titanium Sheet/Aluminum
SOLD PER SQUARE FOOT
also available: ALUM SHEET, ALUM PLATE, MILD STEEL

MATERIAL & THICKNESS	1 TO 3	4 TO 8	9 TO 17	FT 18 & UP
.060 4130 SHEET COND. N				
.090 4130 SHEET COND. N				
.125 4130 SHEET COND. N				
.156 4130 SHEET COND. N				
.187 4130 SHEET COND. N				
.250 4130 SHEET COND. N				
.060 TIT. SHEET GRADE 2				
.125 TIT. SHEET GRADE 2				
.125 TIT. SHEET 6/4				
.187 TIT. SHEET 6/4				

TITANIUM TUBE & BAR STOCK SOLD PER FOOT

Tube Type	OD X WALL	3 to 9	10 to 19	20 and up
Titanium GR 2	.750 x .049			
Titanium GR 2	1.00 x .049			
Titanium GR 3-2.5	1.00 x .070			
Titanium Solid GR 2	.625 OD			
Titanium Solid GR 2	.750 OD			



PIT ACCESSORIES



**QUICK CHANGE
GEAR PAN**
HRP6220 QUICK CHANGE



JOEY MOUGHAN JACKSONVILLE RACEWAY

GAS BOTTLE WRENCH



HRP6110
YOU WILL NEVER HAVE TO
SEARCH FOR AN
ADJUSTABLE WRENCH
AGAIN!
HRP GAS BOTTLE WRENCH
STAYS WITH REGULATOR.



GREASE GUN RACK

HRP6298
GREASE GUN RACK



BALL JOINT WRENCH



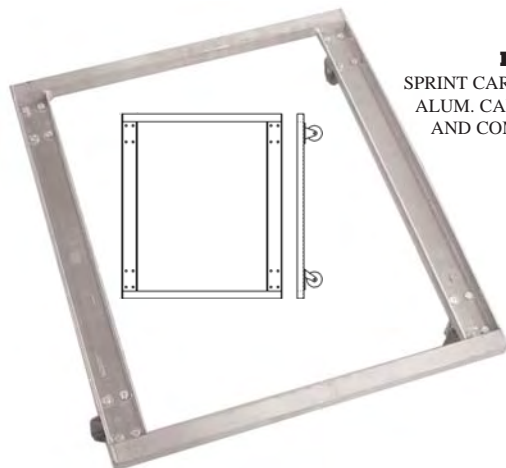
HRP6103
BALL JOINT REMOVAL TOOL
* EASILY REMOVE AND INSTALL SCREW IN
BALL JOINTS
* FITS SMALL CHRYSLER

BALL JOINT WRENCH



HRP6104
BALL JOINT REMOVAL TOOL
* EASILY REMOVE AND INSTALL SCREW IN
BALL JOINTS
* FITS LARGE CHRYSLER

SPRINT CAR ENGINE STAND AND CART



HRP6003
SPRINT CAR ENGINE STAND CART.
ALUM. CART CRADLES HRP6002
AND COMES WITH CASTERS.

HRP6002
SPRINT CAR ENGINE STAND
SOLD AS A SET
MAT: 1" DIA TUBE
BOLTS TO THE BACK OF THE BLOCK AND
OFF THE FRONT MOTOR PLATE



HRP6004
SMALL BLOCK BOLT
PATTERN
ADAPTOR ONLY

CART, STAND, AND ADAPTOR SOLD SEPARATELY HRP6003

PIT ACCESSORIES



FUEL FUNNEL WALL RACK
HRP6260

TRIANGLE FUNNEL

HRP6260P

TRIANGLE FUNNEL POWDER
COATED

HRP6261

D SHAPED FUNNEL

HRP6261P

D SHAPED FUNNEL
POWDER COATED



FUEL STICK BRACKET
HRP6265 HRP6265P



**DUCT TAPE
HOLDER**
HRP6390



SHOVEL RACK
HRP6393



HOOK
HRP6393



**SMALL BROOM
RACK**
HRP6393

**LARGE BROOM
RACK**
HRP6392

**FLASHLIGHT
HOLDER**
HRP6299



FUEL JUG RACKS

PAINTED WHITE

HRP6360

2 JUG RACK

HRP6361

4 JUG RACK

HRP6362

6 JUG RACK



PIT ACCESSORIES



MIKE WARD ASCS 360 WINNER



PAPER TOWEL RACK
 .090 ALUM THICK ALUM
 1" CROSS TUBE
HRP6430
HRP6430P

AVAILABLE POWDER COATED



**SMALL ELECTRICAL
 CORD WALL RACK**

5 1/2" WIDE
 4" DEEP
 CORD RACK
HRP6275
HRP6275P
 POWDER COATED



**RECOIL ELECTRICAL
 CORD WALL MOUNT**
 11 GA MS MOUNT
 POWDER COATED WHITE
HRP6290
 REEL SOLD SEPARATELY



**HOSE REEL MOUNT
 & COVER**
 7 GA MS MOUNT
 & .090 ALUM COVER
 BOTH POWDER COATED WHITE
HRP6292 MOUNT
HRP6295 COVER
 HOSE REEL SOLD
 SEPARATELY



**LARGE HOSE
 WALL RACK**

10" WIDE
 5 1/2" DEEP
 HOSE RACK
HRP6280
HRP6280P
 POWDER COATED

RATCHET STRAP RACK

HRP6006
HRP6006P

KEEP THOSE RATCHET STRAPS
 ORGA-NIZED AND OUT OF THE WAY
 WHEN YOU'RE NOT USING THEM.
 HANGS 2 STRAPS
 UNCOATED OR POWDER COATED



TOWEL RACK
HRP6195
HRP 6195P

5 1/2 X5 125 X 13 1/2 ALUMINUM TOWEL
 RACK COMES UNCOATED OR POWDER
 COATED. MOUNT TO WALL
HRP6194 TOWELS



TOWEL RACK
HRP6193
HRP6193P

SCOTT TOWEL RACK
 ALUM SHELF COMES UNCOATED OR
 POWDER COATED. MOUNTS TO
 WALL.

PIT ACCESSORIES



HEADER RACK SOLD 1 EACH
(NOT AS PAIRS)

**ORDER 2 ANGLED MOUNTS
OR
2 FLAT MOUNTS
OR
1 ANGLE AND 1 FLAT
NESTS HEADERS CLOSE TOGETHER**



FLAT HEADER RACKS
FLAT MOUNT FOR HEADERS

ANGLED HEADER RACKS

ANGLED MOUNT HUGS HEADER CLOSE TO WALL

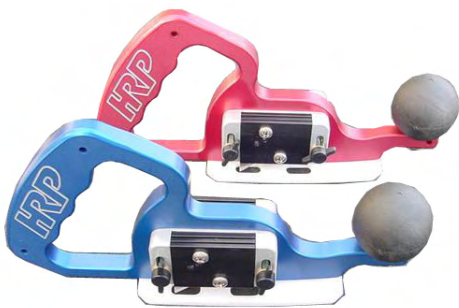
PART#	DESCRIPTION
HRP6700A	CHEVY SPREAD PORT ANGLED
HRP6701A	CHEVY STD PORT ANGLED
HRP6705A	CHEVY BIG BLOCK
HRP6706A	DODGE V-8
HRP6707A	FORD YATES

SOLD INDIVIDUALLY



**BLAKE FEESE IN THE RICH
DEREU #50 WITH HRP WINGS**

PART#	DESCRIPTION
HRP6700A	CHEVY SPREAD PORT ANGLED
HRP6701A	CHEVY STD PORT ANGLED
HRP6705A	CHEVY BIG BLOCK
HRP6706A	DODGE V-8
HRP6707A	FORD YATES



**TIRE
SIPER**

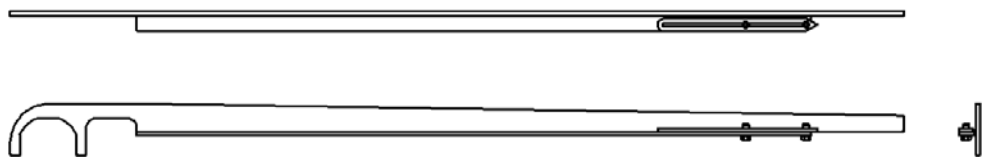
USES STANDARD
UTILITY BLADES
HEAVY DUTY YET
LIGHT WEIGHT
SIPER
HRP6200



TIRE GAUGE HOLDER
HRP6380 SMALL
HRP6383 LARGE
MOUNT TO WALL .090 ALUM

REAREND SQUARING TOOL

HRP6010
SPRINT CAR REAREND SQUARING TOOL
MAT: 7 GA MS



BEAD BREAKERS



BEAD BREAKERS:

MATERIAL: MILD STEEL ZINC PLATED.

- * THE BEST BEAD BREAKER MONEY CAN BUY!!
- * FOLDS UP FOR COMPACT STORAGE.

- HRP6017 MINI 10" STANDARD
- HRP6018 MINI 10" DELUXE
- HRP6019 SPRINT 15" STANDARD
- HRP6020 SPRINT 15" DELUXE
- HRP6021 MIDGET 13" DELUXE
- HRP6022 MIDGET 13" STANDARD

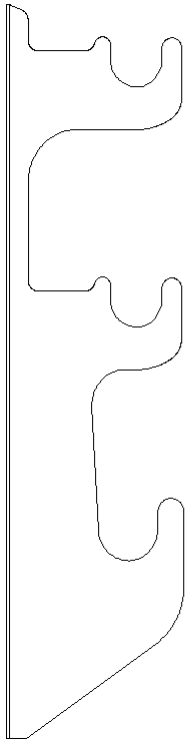
DELUXE MODEL:

- * CONTAINS A SPRING AND BALL TO CONTAIN ARMS WHEN CLOSED.
- * LONGER HANDLES FOR BETTER LEVERAGE.

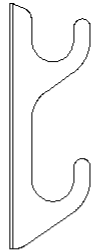
ALSO AVAILABLE ADJUSTABLE BEEDBREAKER FROM 10"-15"

PIT ACCESSORIES

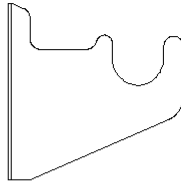
HRP6776



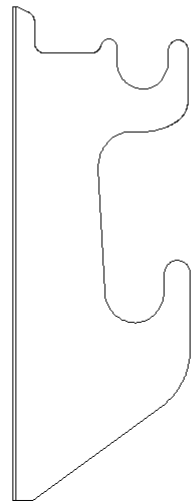
HRP6778



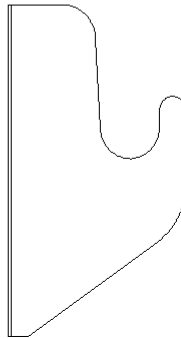
HRP6777



HRP6775



HRP6774



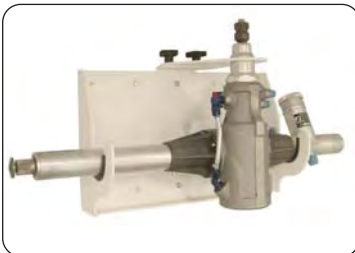
SPRINT CAR AXLE RACKS

COMES POWDER COATED WHITE WITH RUBBER

EDGING WHERE AXLE SITS

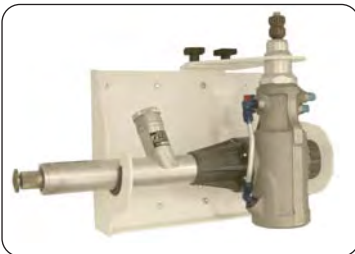
- HRP6774** REAR END RACK
1 REAR END ASSY
- HRP6775** AXLE RACK
1 FRONT & REAR AXLE ASSY
- HRP6776** REAR END RACK
2 FRONT & 1 REAR AXLE ASSY
- HRP6777** FRONT AXLE RACK
1 FRONT AXLE ASSY
- HRP6778** FRONT AXLE RACK
2 BLANK AXLES

MADE FROM 3/16 ALUMINUM AND WELD TOGETHER



KSE FULL GEAR WALL MOUNT

- * COMES POWDER COATED WHITE WITH RUBBER EDGING WHERE GEAR SITS
- * MOUNTS 1 GEAR
- * MADE FROM 3/16 ALUM
- HRP6780-1**



KSE HALF GEAR WALL MOUNT

- * COMES POWDER COATED WHITE WITH RUBBER EDGING WHERE GEAR SITS
- * MOUNTS 1 GEAR
- * MADE FROM 3/16 ALUM
- HRP6780-2**



KSE GEN-2 GEAR WALL MOUNT

- * COMES POWDER COATED WHITE WITH RUBBER EDGING WHERE GEAR SITS
- * MOUNTS 1 GEAR
- * MADE FROM 3/16 ALUM
- HRP678-3**

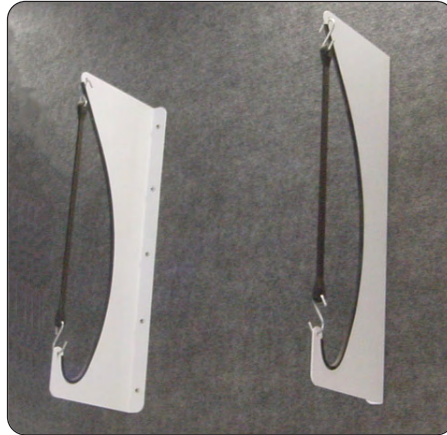


FUEL CELL MOUNT

- FUEL CELL WALL MOUNT
- MOUNTS FUEL SAFE TANK TO WALL FOR STORAGE
- POWDER COATED WHITE
- HRP6781**



PIT ACCESSORIES



**VERTICAL
NOSE WING MOUNT
HRP6553**

*POWDER COATED WHITE
*COMES WITH BUNGY CORDS



TOP WING RACK

- HRP6550 TOP WING WALL TRAY
- HRP6551 TOP WING ROOF MOUNT
- HRP6554 ROOF MOUNT EXTENDER

* MOUNT YOUR WINGS OUT OF THE WAY WITH OUR
HRP WING MOUNTS

* KEEP YOUR WINGS FROM GETTING DAMAGED WHILE IN TRANSIT
* POWDER COATED WHITE

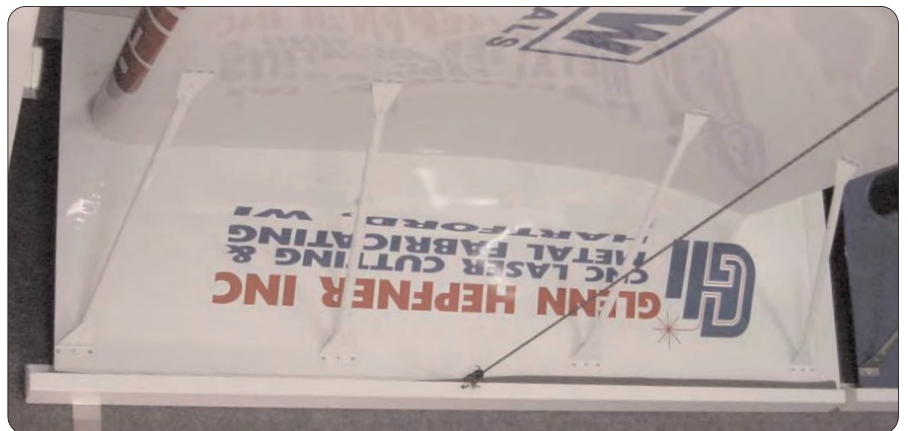


**NOSE WING RACK
HRP6552 NOSE WING MOUNT**

* CAPTURES NOSE WING ON TOP AND BOTTOM
* POWDER COATED WHITE
*NOSE WING MOUNT COMES WITH FOAM PAD



**ROOF MOUNT
EXTENDED
CHANNEL**



TOP WING ROOF MOUNT IS
ADJUSTABLE FOR HEIGHT FROM
CEILING

TOP WING WALL TRAY

PIT ACCESSORIES



NOSE WING TRAY

HRP6009

KEEP YOUR TOOLS AND PARTS ORGANIZED WHILE WORKING ON YOUR SPRINT CAR. WHEN DONE FOLD IT UP AND STORE IT AWAY. OR USE IT AS A TOOL TRAY AND CARRY IT TO WHERE YOU NEED IT.



TRAY FOLDS CLOSED FOR TOOL STORAGE AND TO CARRY AROUND



DRAWER SPACER TRAY HRP6180

*LAYS IN DRAWERS
KEEPS SPACERS ORGANIZED
*COMES 30" LONG
CUT TO FIT DRAWER



WALL MOUNT SPACER TRAYS

**HRP6181
HRP6181P**

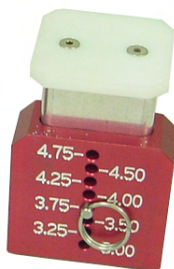
23" LONG SPACER TRAY
MOUNTS TO WALL



HRP6355 WHEEL WRENCH

MOOSE BLOCK SET UP BLOCKS

**HRP6253
TALL BLOCK**



**HRP6251
SHORT BLOCK**



CAR KART

* CASTERS WITH RUBBER PADS TO SET CAR ON
* ADJUSTABLE HEIGHT
* PLATED STEEL CONSTRUCTION
HRP6210

PIT ACCESSORIES

HRP6301 16" WIDE 6 QUART



16" WIDE TRAY

- HRP6300 3 1/4" DEEP AEROSOL BIN
- HRP6300P 3 1/4" DEEP AEROSOL BIN
- HRP6301 4 1/2" DEEP OIL CAN BIN
- HRP6301P 4 1/2" DEEP OIL CAN BIN

OIL AND AEROSOL TRAYS

ALUMINUM TRAYS COME IN 2 WIDTHS
UNCOATED OR COATED

HRP6306 32" WIDE 12 QUART



32" WIDE TRAY

- HRP6305 3 1/4" DEEP AEROSOL BIN
- HRP6305P 3 1/4" DEEP AEROSOL BIN
- HRP6306 4 1/2" DEEP OIL CAN BIN
- HRP6306P 4 1/2" DEEP OIL CAN BIN

TORSION BAR RACK



SPRINT CAR BARS
HRP6350

MIDGET BARS
HRP6351

LARGE LUBRICANT
WALL TRAY
HRP6473



TOWEL RACK
HRP6470

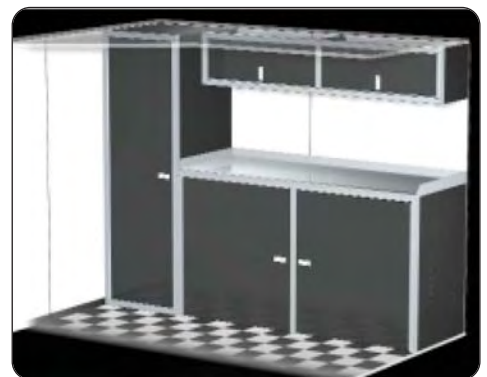


MEDIUM
LUBRICANT
WALL TRAY
HRP6471



SMALL LUBRI-
CANT WALL TRAY
HRP6472

PIT ACCESSORIES



VARIOUS PACKAGES AVAILABLE! CALL FOR CATALOG!

C-TECH DRAWER

HRP USE C-TECH DRAWER FOR ALL OUR MULE CONVERSIONS AND PIT KARTS

- * THE FINEST TRAILER CABINET DRAWERS ON THE MARKET.
- * UNIVERSAL DRAWER SECTIONS
- * ALL ALUM CONSTRUCTION



HRP IS A DEALER FOR ALL C-TECH PRODUCTS

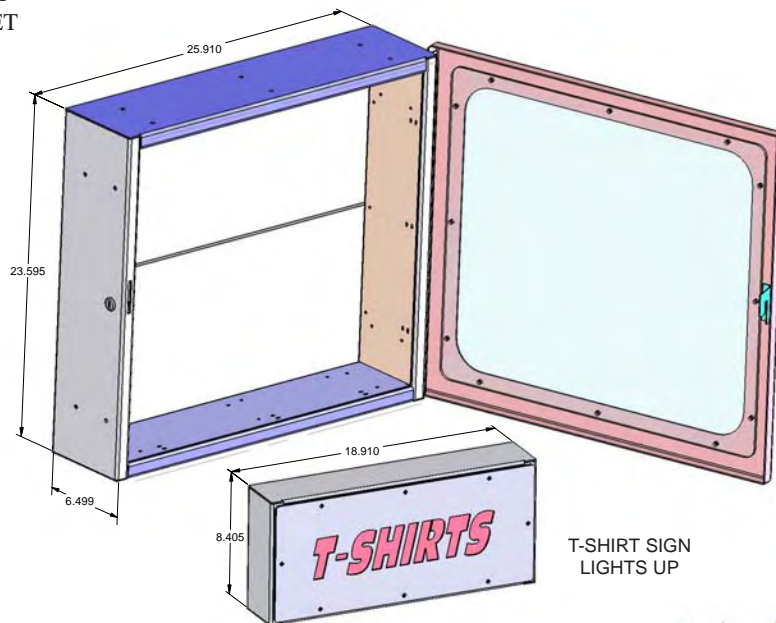
- * THE FINEST TRAILER CABINET ON THE MARKET.
- * DRAWER SECTIONS
- * LOCKER CABINETS
- * OVER HEAD CABINETS
- * ALL ALUM CONSTRUCTION



T-SHIRT CABINET

T-SHIRT LIGHT

T-SHIRT CABINET



HRP6570 T-SHIRT CABINET
HRP6571 T-SHIRT LIGHT

T-SHIRT SIGN LIGHTS UP

- * T SHIRT CABINET WITH ROPE LIGHT
- * DOOR SEALS WITH GASKET
- * DOOR LOCKS AND SWINGS OPEN
- * BACK WALL IS INSULATION COVERED WITH CARPET



WALL CABINETS

HRP6410 LARGE WORK CENTER
FLIP DOWN DOOR ALL ALUM WALL CABINET
WITH PAPER TOWEL HOLDER



HRP'S FOLD UP WORK
STATION HAS A STURDY
DOUBLE PANEL DOOR



THE NEW
PAPER TOWEL RACK



REAR END WALL CABINET



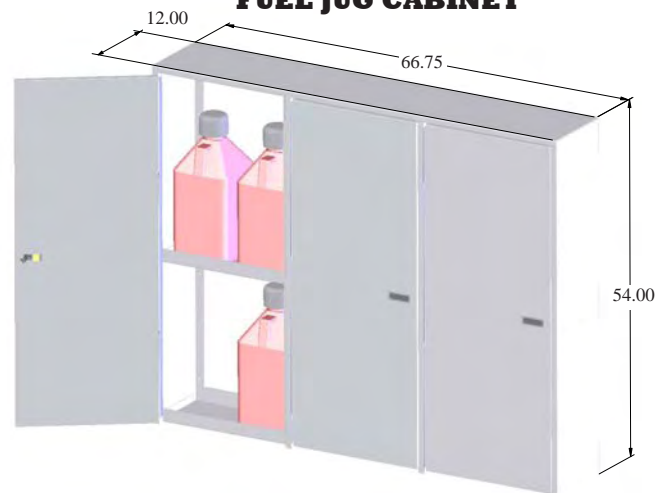
* CABINET ONLY *

* SEE PAGE 83 FOR
AXLE RACKS

* .080 THICK POWDER COATED ALUMINUM
* DOUBLE DOORS OPEN WITH NO CENTER POST TO
RESTRICT ACCESS TO REARENDS

HRP6511

FUEL JUG CABINET



* .090 THICK POWDER COATED ALUMINUM CABINETS
* .125 THICK ALUM SHELFS
* HOLDS 12 FUEL JUGS
* 66 LONG X 54 HIGH X 12 DEEP

HRP6510

WALL CABINETS



CABINET WITH GEAR SHELF INSERT

WALL CABINET
SINGLE DOOR CABINET 22.5" x 46" x 5" DEEP
SINGLE DOOR CABINET 22.5" x 46" x 7" DEEP

.080 THICK POWDER COATED ALUMINUM CABINETS ARE AVAILABLE IN RED, BLACK OR, WHITE. 4 PCS FRAME WITH HINGE, LEVER ACTION LATCH, AND DOUBLE PANEL DOOR

HRP #	DESCRIPTION
HRP6500	22.5 X 46 x 5 CABINET
HRP6502	22.5 X 46 x 7 CABINET



CABINET WITH RADIUS ROD INSERT

WALL CABINET
SINGLE DOOR CABINET 22.5" x 58" x 5" DEEP
SINGLE DOOR CABINET 22.5" x 58" x 7" DEEP

.080 THICK POWDER COATED ALUMINUM CABINETS ARE AVAILABLE IN RED, BLACK OR, WHITE. 4 PCS OUTER FRAME WITH HINGE, LEVER ACTION LATCH, AND DOUBLE PANEL DOOR.

HRP #	DESCRIPTION
HRP6501	22.5 X 58 x 5 CABINET
HRP6503	22.5 X 58 x 7 CABINET



WALL CABINET
SINGLE DOOR CABINET
30" x 58" x 7" DEEP

.080 THICK POWDER COATED ALUMINUM CABINETS ARE AVAILABLE IN RED, BLACK OR, WHITE. 4 PCS OUTER FRAME WITH HINGE, LEVER ACTION LATCH, AND DOUBLE PANEL DOOR.

HRP #	DESCRIPTION
HRP6505	30 X 58 x 7 CABINET



WALL CABINETS

GEAR CABINET INSERT

.080 THICK POWDER GEAR SHELF

HRP6519
30 WIDE GEAR SHELF
HRP6520
22.5 WIDE GEAR SHELF



GEAR BIN
HRP6518

*SOLD EACH
HOLDS 10 GEAR SETS

CABINET BINS

.080 THICK BIN
HRP6530 2.50 X 20 WIDE
HRP6531 3.25 X 20 WIDE
HRP6532 4.25 X 20 WIDE

RADIATOR TRAILER MOUNT
UNIVERSAL TYPE MOUNT
HRP6340

NEW COMPLETELY UNIVERSAL
ANY SIZE RADIATOR

* WALL MOUNT OR CABINET MOUNT
SINGLE ROW
* 15" HOLDS 6 SHOCKS WIDE
* 20" HOLDS 8 SHOCKS WIDE
DOUBLE ROW
* 15" HOLDS 12 SHOCKS WIDE
* 20" HOLDS 16 SHOCKS WIDE

*SOLD EACH

HRP6528 HRP6526

WALL SHOCK MOUNTS

HRP6524S-15 HRP6524S-20

HRP6522D-15 HRP6522D-20

WALL CABINETS

RADIUS ROD MOUNTS

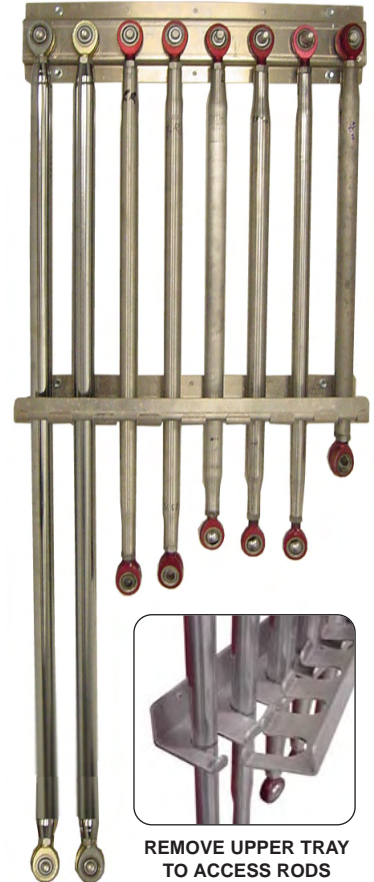
15" LONG 6 POSITION

* 15" LONG HANGS 6 RODS
ALL THE RADIUS RODS
*3 LOWER TRAYS TO CHOOSE FROM
FOR SINGLE OR DOUBLE
1", 1 1/8" OR 1 1/4"

20" LONG 8 POSITION

* 20" LONG HANGS 8 RODS
A COMPLETE SET OF RADIUS RODS
STEERING RODS
*4 LOWER TRAYS TO CHOOSE FROM
FOR SINGLE OR DOUBLE
A COMBINATION OF VARIOUS SIZES

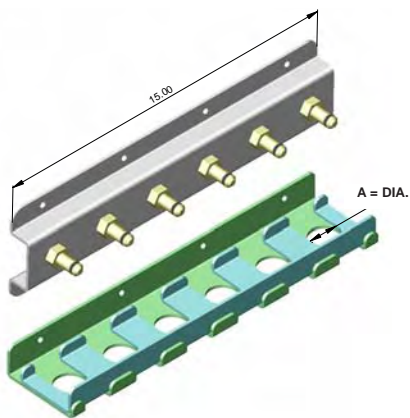
WALL MOUNT OR CABINET MOUNT



REMOVE UPPER TRAY
TO ACCESS RODS

15" LONG 6 POSITION SINGLE ROW

SIZE	PART#	ROWS	
15"	HRP6523S-15	SINGLE	

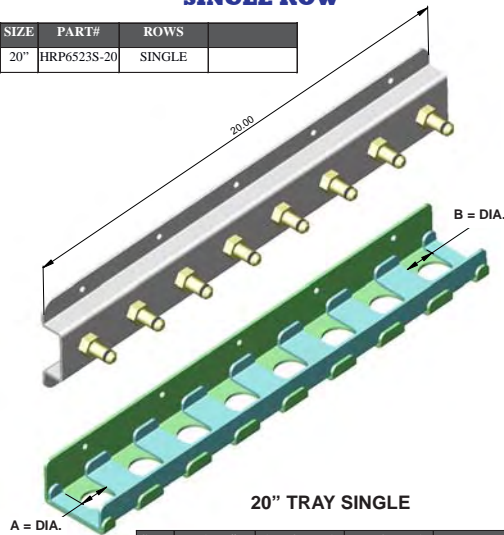


15" TRAY SINGLE

SIZE	PART#	A=ROD DIA	
15"	HRP6523S-A	1.00	
15"	HRP6523S-B	1.125	
15"	HRP6523S-C	1.250	

20" LONG 8 POSITION SINGLE ROW

SIZE	PART#	ROWS	
20"	HRP6523S-20	SINGLE	

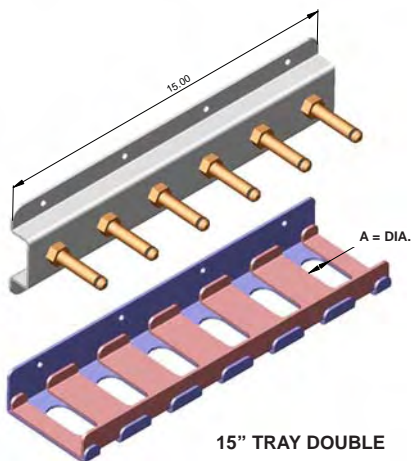


20" TRAY SINGLE

SIZE	PART#	A=ROD DIA	B=ROD DIA	
20"	HRP6523S-A	8 slots 1.125	-	
20"	HRP6523S-B	2 slots 1.250	6 slots 1.00	
20"	HRP6523S-C	2 slots 1.250	6 slots 1.125	
20"	HRP6523S-D	8 slots 1.250	-	

15" LONG 6 POSITION DOUBLE ROW

SIZE	PART#	ROWS	
15"	HRP6521D-15	DOUBLE	

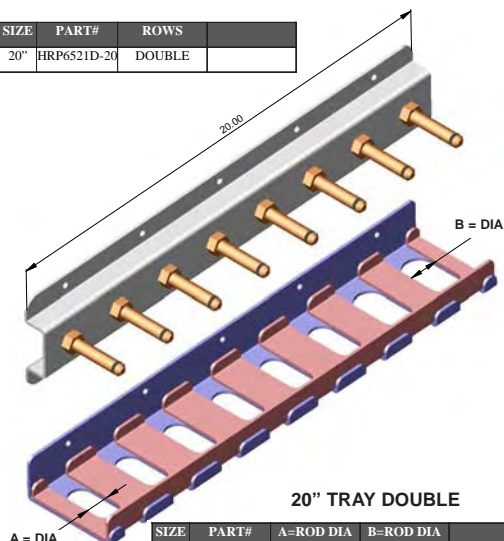


15" TRAY DOUBLE

SIZE	PART#	A=ROD DIA	
15"	HRP6521D-A	1.00	
15"	HRP6521D-B	1.125	
15"	HRP6521D-C	1.250	

20" LONG 8 POSITION DOUBLE ROW

SIZE	PART#	ROWS	
20"	HRP6521D-20	DOUBLE	

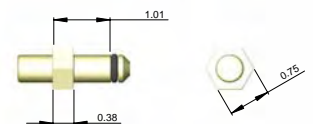
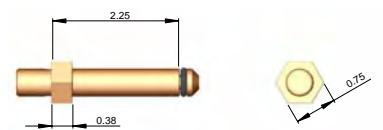


20" TRAY DOUBLE

SIZE	PART#	A=ROD DIA	B=ROD DIA	
20"	HRP6521D-A	8 slots 1.125	-	
20"	HRP6521D-B	2 slots 1.250	6 slots 1.00	
20"	HRP6521D-C	2 slots 1.250	6 slots 1.125	
20"	HRP6521D-D	8 slots 1.250	-	



HRP6525
7.50 EA



HRP6527
6.50 EA



MULE CONVERSIONS

HRP6930 32" TALL HALF BOX



WHEEL WRENCH RACK
HRP6971

STANDARD FEATURES INCLUDED:

- * CABINET W\SHelves
- * 1 STACK C-TECH DRAWERS
- * ALUM. TOP DECK
- * FENDER & SKIRTS
- * BATTERY COVER
- * JACK HANGER
- * LADDER
- * PUSH BAR
- * POWDER COATED
- * WHEEL COVER KIT
- * LIGHTED REAR NAME PLATE

MULE NOT INCLUDED

HEADACHE TIE ROD
RACK HRP6972



ALUMINUM TOP DECK
HRP6975

HRP6931 32" TALL FULL BOX



STANDARD FEATURES INCLUDED:

- * CABINET W\SHelves
- * 2 STACKS C-TECH DRAWERS
- * ALUM. TOP DECK
- * FENDER & SKIRTS
- * BATTERY COVER
- * JACK HANGER
- * LADDER
- * PUSH BAR
- * POWDER COATED
- * WHEEL COVER KIT
- * LIGHTED REAR NAME PLATE

MULE NOT INCLUDED



BATTERY COVER
HRP 6970

MINUS 1 DRAWER STACK
HRP 6940

HRP6932 45" TALL FULL BOX



STANDARD FEATURES INCLUDED:

- * CABINET W\SHelves
- * 2 STACKS C-TECH DRAWERS
- * ALUM. TOP DECK
- * FENDER & SKIRTS
- * BATTERY COVER
- * JACK HANGER
- * LADDER
- * PUSH BAR
- * POWDER COATED
- * WHEEL COVER KIT
- * LIGHTED REAR NAME PLATE

MULE NOT INCLUDED

BOLT ON LADDER
HRP 6974
WELD ON LADDER
(IN KIT FORM) HRP
6973



HRP6995
OPTIONAL FLIP DOWN REAR DOOR
COVERS DRAWERS

MULE CONVERSIONS

STANDARD FEATURES ON MULE CONVERSIONS

2500 & 3000 SERIES PUSHBAR
HRP6985 2500 SERIES
HRP6986 3000 SERIES



JACK HANGER
 3 WIDTH
 AVAILABLE
HRP6988



HALF CABINET
 NOSE WING MOUNT
HRP6977



FRONT
 NOSE WING HANGER
HRP6978



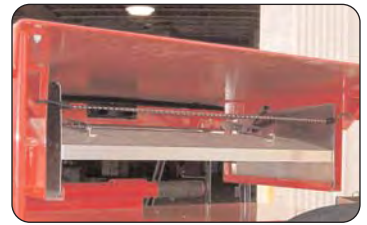
INSIDE OF CABINETS SHELF, RADIUS
 ROD
 HANGER, AND OIL CAN BINS



INSIDE OF CABINETS SHELF, RADIUS
 ROD
 HANGER, AND OIL CAN BINS



PERSONALIZED NAME PLATE



HANGING NOSE WING MOUNT
 HALF CABINET
HRP6979

DOWN TUBE AXLE MOUNTS FOR MULES



HRP6996
 REAR AXLE SET



HRP6995
 FRONT AXLE SET



- * ALUMINUM BOLT ON MOUNT
- * ADJUSTABLE LOCATION
- * PAINTED BLACK OR BARE ALUMINUM
- * EASILY REMOVABLE



HRP6998
 CLAMP ONLY



HRP6997
 COMBO SET

EACH SET COMES WITH 4 TUBE CLAMPS



FUEL JUG MOUNT 3000 SERIES
HRP6980 3 JUG RACK
HRP6981 4 JUG RACK
HRP6983 4 WELD ON BRACKETS



FUEL JUG MOUNT 2500 SERIES
HRP6980 3 JUG RACK
HRP6981 4 JUG RACK
HRP6982 4 WELD ON BRACKETS



PAINTED HOOD GLOSS OR BED LINER
 DURABLE FINISH
HRP6989


MULE CONVERSIONS



WHEEL SIMULATORS
HRP6992 ea
 WHEEL MOUNT BRACKETS
HRP6993 ea
 SANDERS WHEEL SIMULATORS
HRP6994 ea
 WELD WHEEL SIMULATORS




SHACKLE BRACKETS
HRP6990 ea
 * HRP SHACKLES HELP ADJUST TO EXACT RIDE HEIGHT
 * ORDER LONGER OR SHORTER THAN STOCK SOLD EA IN 1/4" INCREMENTS



SHOCK & COIL MOUNTS
HRP6991 ea
 * HRP HELPER SPRING/SHOCK BRACKETS ADD SPRING RATE AND STABILIZE RIDE




12 VOLT LIGHT KIT
HRP6951
 (3) 12 VOLT LIGHTS WITH UPGRADED BATTERY



120 VOLT POWER AND AIR KIT
HRP6950
 HONDA EB3000
 GENERATOR
 AIR COMPRESSOR
 ELECTRICAL REEL
 HOSE REEL

HRP Part #	Tabs & Brackets-Description
HRP6930	Mule Conversion 32" Tall Half Cabinet
HRP6931	Mule Conversion 32" Tall Full Cabinet
HRP6932	Mule Conversion 32" Tall Full Cabinet
HRP6940	Minus One Small Drawer Stack Full Cabinets
HRP6941	Add Flip Down Back Door
HRP6950	120 Volt Gen Air/Kit
HRP6951	12 Volt Light Kit
HRP6960	C-Tech Drawer Mounting Rails
HRP6967	Fender Skirt Brackets
HRP6968	Fenders Bolt On
HRP6969	Side Skirts
HRP6970	Battery Cover
HRP6971	Wheel Wrench Rack Set
HRP6972	Tie Rod Rack / Head Rack
HRP6973	Weld On Ladder PCS Only
HRP6974	Bolt On Ladder
HRP6975	1/4" Alum. Bend Down Diamond Plate
HRP6976	3/16" Alum. Bend Up Smooth Alum.
HRP6977	Rear Nose Wing Mount (Top of Cabinet)
HRP6978	Front Nose Wing Mount (Hanging)
HRP6979	Rear Nose Wing Mount (Hanging)
HRP6980	Fuel Jug Rack 3 Jug
HRP6981	Fuel Jug Rack 4 Jug
HRP6982	Fuel Jug Mount Weld On Brackets 2500 series
HRP6983	Fuel Jug Mount Weld On Brackets 3000 series
HRP6985	Push Bar 2500 series
HRP6986	Push Bar 3000 series
HRP6988	Jack Mount
HRP6989	Painted Hood
HRP6990	Shackle Plate 2pc set
HRP6991	Rear Helper Spring & Shock Mount
HRP6992	Wheel Cover Brackets
HRP6993	Wheel Cover Red Sanders Style
HRP6994	Wheel Covers Yellow Weld Style
HRP6995	Axle Rack Front
HRP6996	Axle Rack Rear
HRP6997	Axle Rack Combo
HRP6998	Axle Rack Clamp