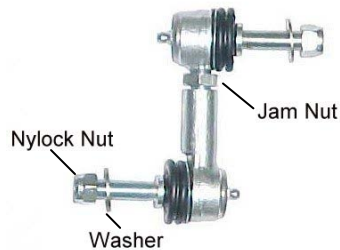


HOTCHKIS SPORT SUSPENSION

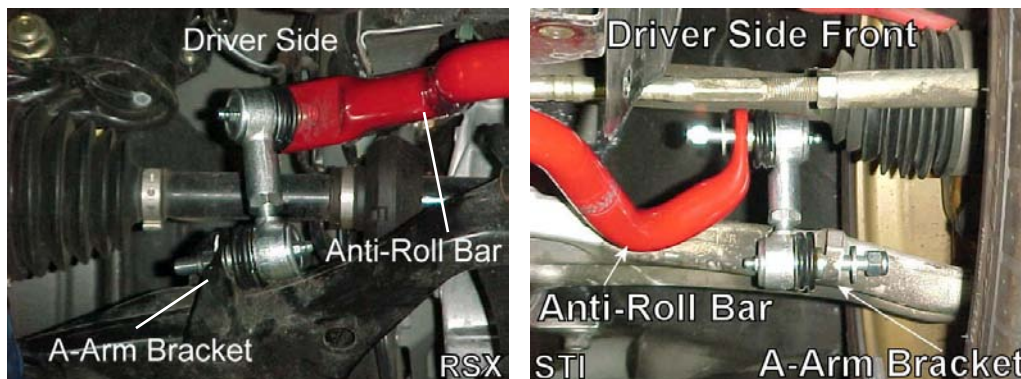
25405 COMPETITION END LINK KIT
2002-UP ACURA RSX, 2004 Subaru STi



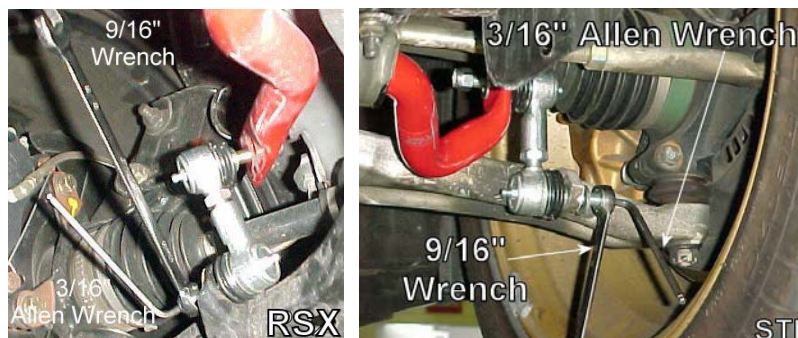
Special Note: Our new & improved end links are now maintenance free. So there are no grease fittings needed. Pictures in this manual shows the previous design with grease fittings.

INSTALLATION OF HOTCHKIS FRONT ENDLINKS

(Step 1) Remove the stock end links from the vehicle. Install your new Hotchkis end links in the same manner as the picture below. Don't forget to place the provided washer before each nylock nut. The jam nut installed on your end links should be loose during installation. This will allow you to position the ball joint studs correctly.



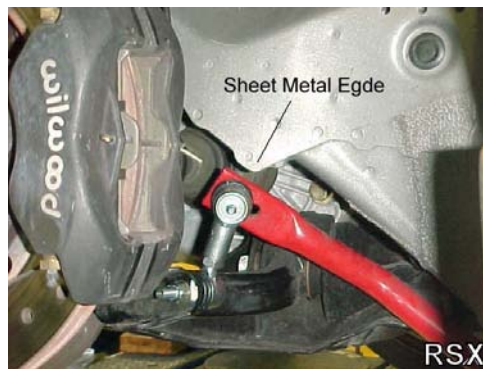
(Step 2) Use a 9/16" wrench and a 3/16" allen wrench to tighten the nylock nuts for each stud. (Tip: If possible, try using a "ratcheting wrench" to speed up the process.)



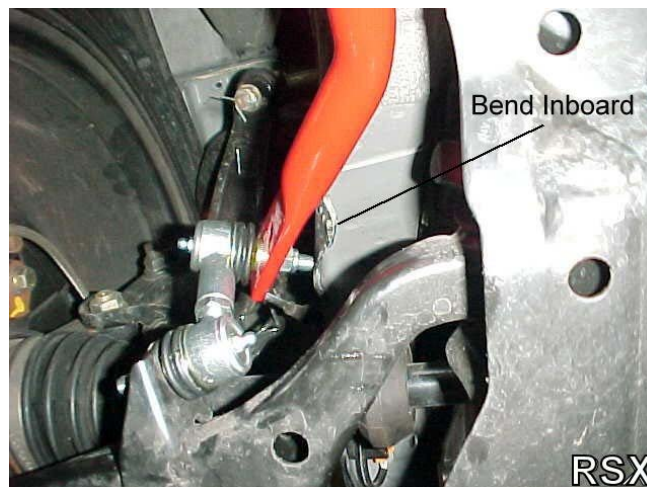
(Step 3) Next, center the ball joints to avoid possible binding. Once they are positioned, tighten the jam nut using an 11/16" wrench. Use vise grips to hold the female ball joint to avoid spinning.



(Step 4) (*Subaru owners skip this step*) In some cases, if the vehicle is lowered (1.5" or more) you may need to clear the sheet metal edge shown in the following picture. This will prevent the ball joint stud from interfering with the edge.



Use a hammer to bend the edge inboard as shown in the following picture.



You are finished with the front end link installation! Make sure to re-check all hardware tightness after the first 100 miles, or if you hear a knocking sound from the front.

INSTALLATION OF HOTCHKIS REAR ENDLINKS

The end links in the rear of the vehicle are the same as the front set. Don't worry about mixing up the sets. Install the rear set of end links in the same manner as the front set. Check the pictures below for an example of how to install the end links.

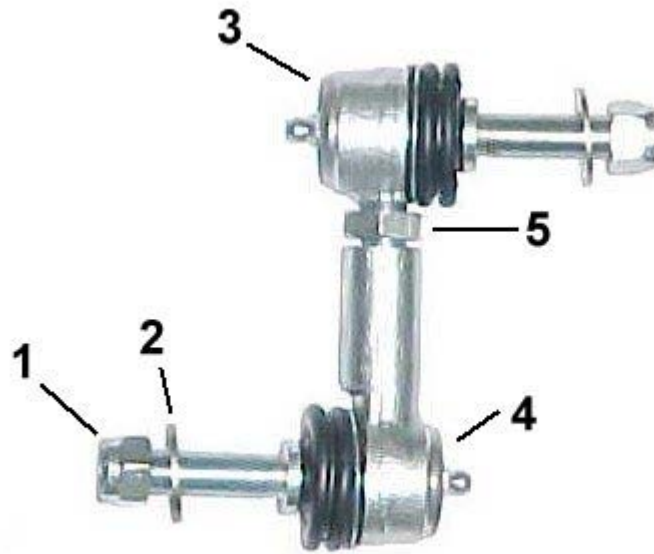


Again, make sure to re-check all hardware tightness after the first 100 miles, or if you hear a knocking sound from the rear.

You are now finished with the entire installation.

Acura RSX/Subaru STi Competition End Link set, Parts list

	Hotchkis P/N	Item Description	Quantity per kit
1	n/a	3/8"-24 Nylock Nut	8
2	n/a	3/8" AN Washer	8
3	25490001	Male Ball Joint	4
4	25490002	Female Ball Joint	4
5	n/a	1/2" Jam Nut	4
Items Not Pictured			
6	n/a	Instruction Set	1





*A cold and foggy winter's day at Buttonwillow Raceway in California's central valley...
...A full tank of racing gas and a fresh set of Yokohama A032R race tires...
...50 laps and over 100 miles of Hotchkis Tuning founder John Hotchkis putting prototypes
"through the paces" reaching speeds over 100mph...
...and yes, that rear wheel is NOT touching the ground.*



By the end of the day the fog had burned off... as did most of the tread on the tires.