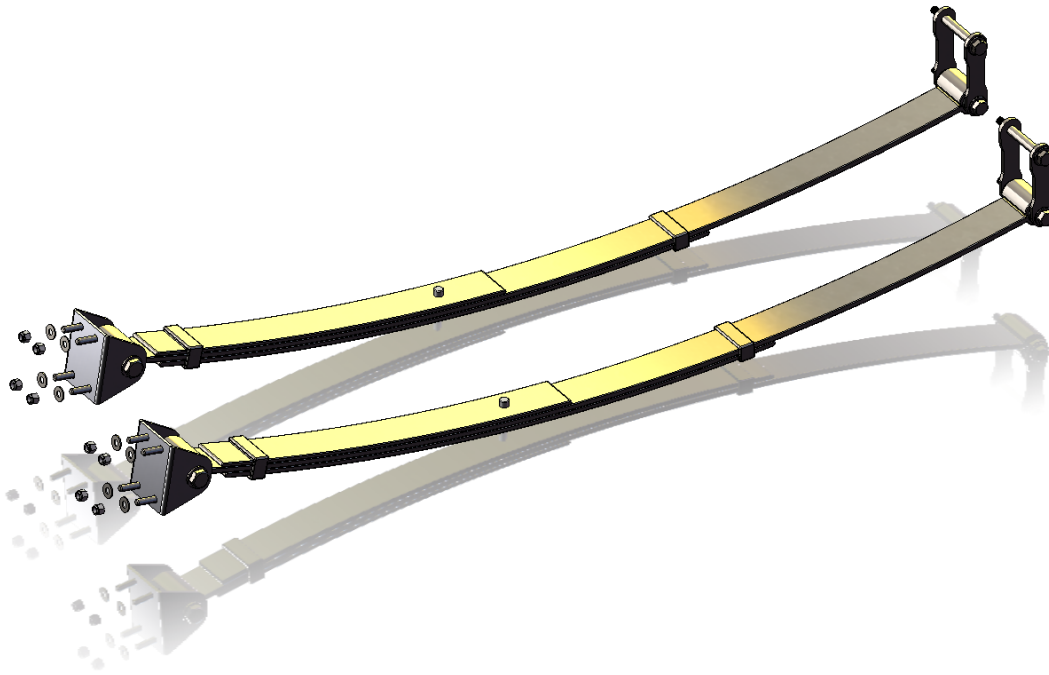


Rear Leaf Spring Kit 24366, 24367 *66-70 Chrysler B-body, 70-74 Chrysler E-Body*



IMPORTANT: PLEASE READ THE ENTIRE INSTRUCTION MANUAL BEFORE STARTING THIS INSTALLATION.

- 1. Raise the Vehicle*
Raise the vehicle and safely secure it on jack stands.
- 2. Disconnect Rear Shock*
Disconnect the lower shock mount nut for each rear shock. You do not have to disconnect the upper mounts
- 3. Disconnect Stock U-Bolts*
Disconnect the stock U-bolts that secure the differential tubes to the leaf springs. It is very common for these u-bolts to be difficult to unfasten. In many cases it is necessary to cut the u-bolts with a cut-off wheel in order for removal. You Hotchkis kit comes with replacement u-bolts.

4. *Support the Pumpkin*

Slide a floor jack underneath the rear end to relieve the differential/wheel weight off of the leaf springs.

5. *Unfasten Rear Shackles*

Unfasten the rear leaf spring shackles, but do not disconnect.

6. *Disconnect the Front Leaf Mount*

The front leaf spring mount has 4 studs and mounts to the chassis. Undo the 4 nuts for each mount to detach it from the chassis. It helps if someone can help with holding up the leaf spring at this time.

7. *Remove Leaf Springs*

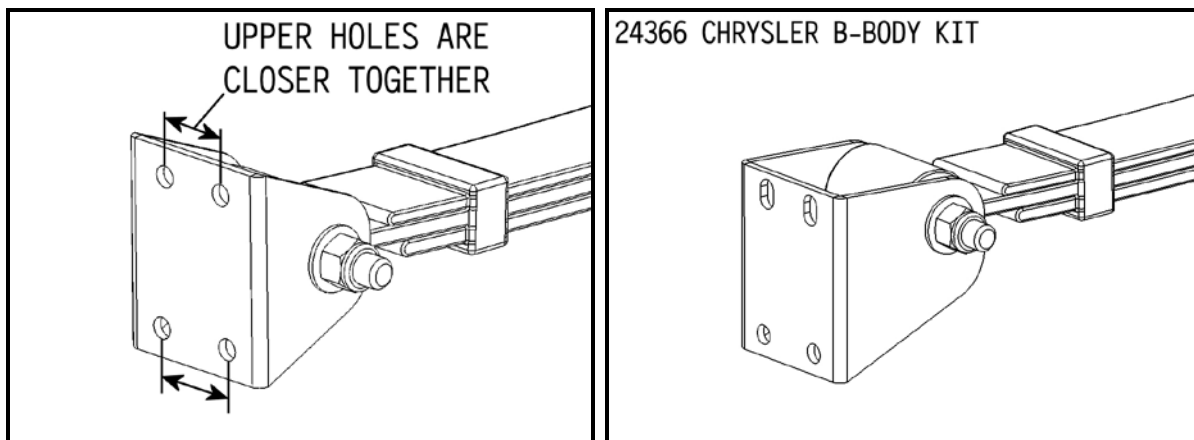
With the front mount disconnected, shift the leaf spring inboard to unhook the rear leaf eye from the shackle bolt. The leaf should be free from the car.

8. *Assemble the Hotchkis Leaf Springs*

Your new Hotchkis Leaf Spring kit comes with new front mounts, u-bolts, and hardware. If you would like to replace your old rusty shackles you can purchase our new shackle kit which includes new powdercoated shackles, hardware and polyurethane bushings.

Assemble the front mount and leaf spring together using the large 5/8" bolt and hardware. Snug the 5/8" nuts, but do not fully tighten yet.

See diagram below:



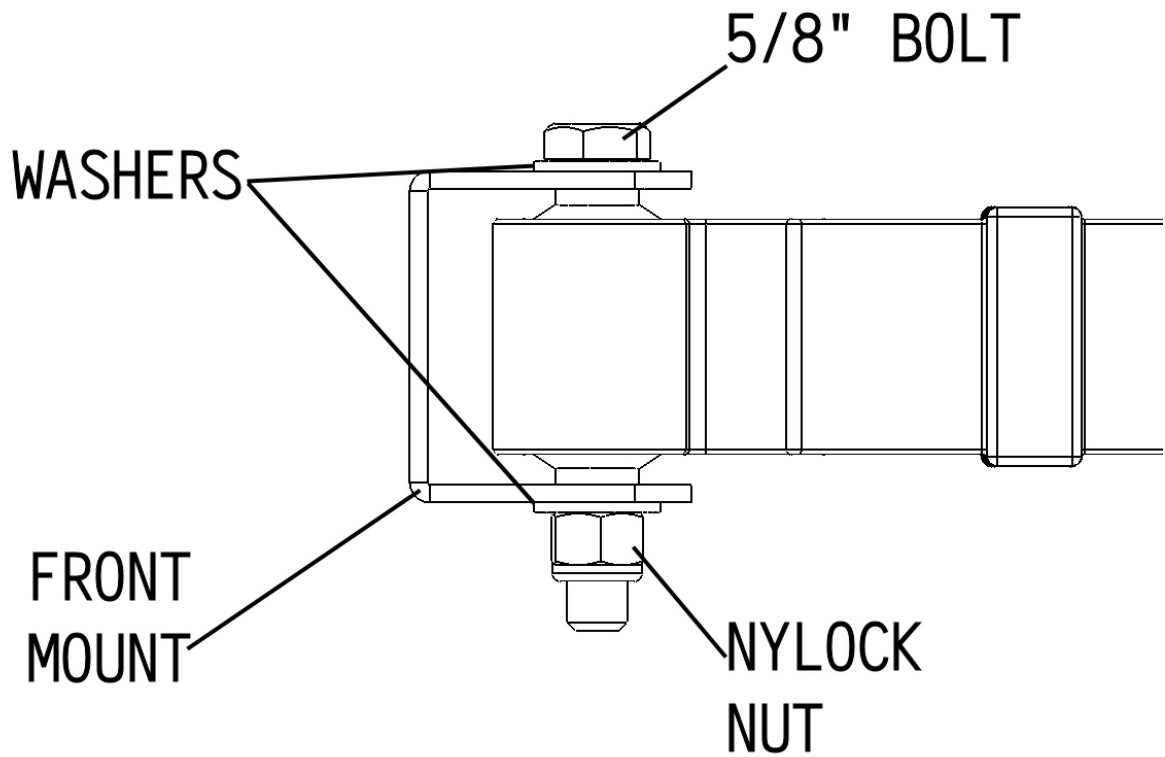
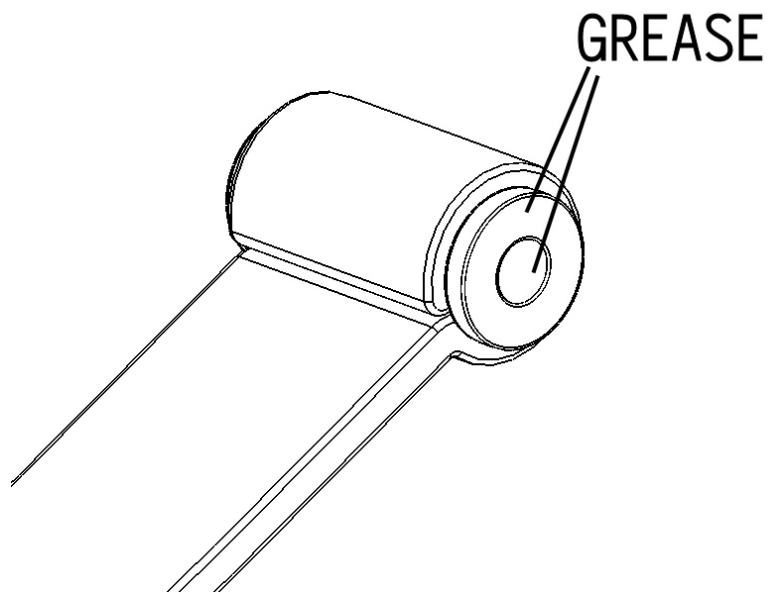


Diagram shows Driver Side with the 5/8" bolt pointing outboard.

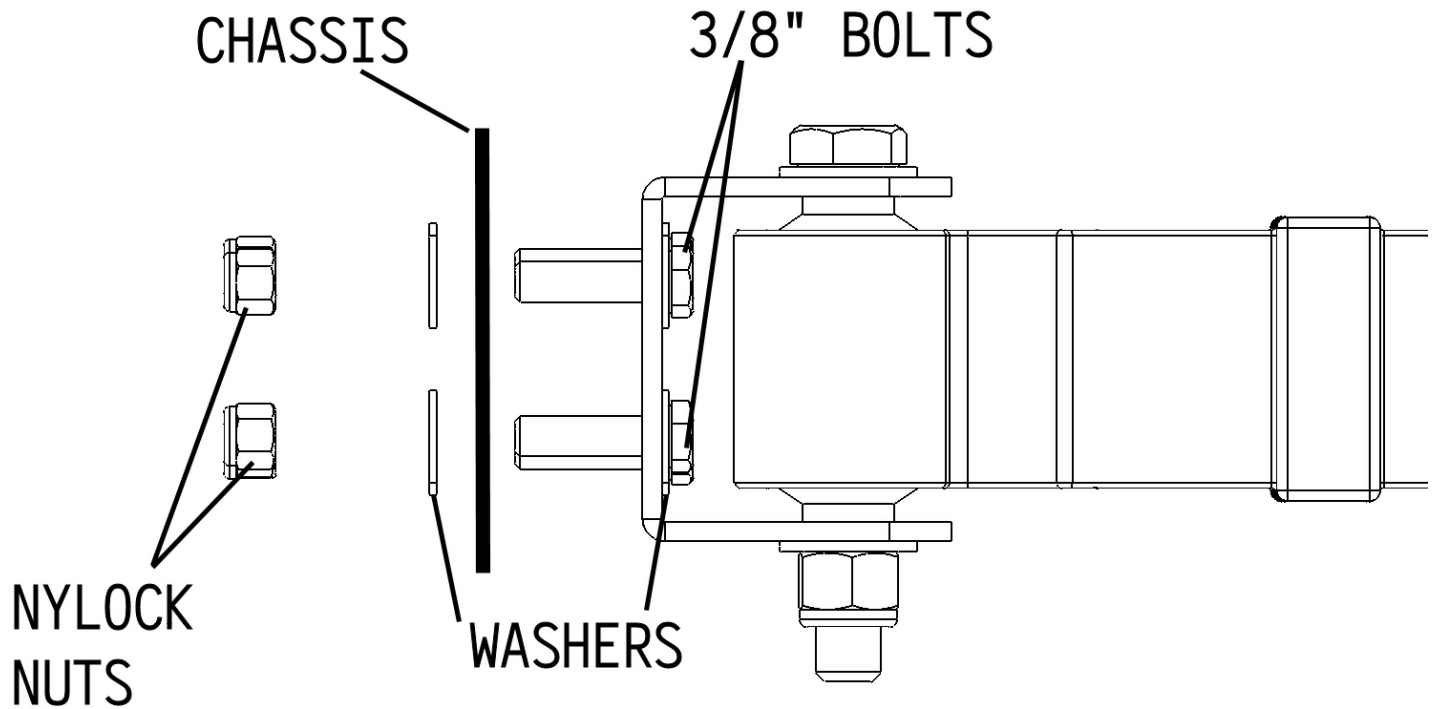
9. *Install Rear Bushings*

Your new Hotchkis Leaf Spring kit comes with new rear bushings. Insert the bushings into the rear eye of the leaf spring and grease the side surfaces and the inner hole with the supplied lube.



10. Reinstall Hotchkis Leaf Springs

Your new leaves are ready to be installed. Reinstall the leaf spring in the same manner as stock removal. Position the leaf spring in place by hooking the rear eye onto the shackle bolt and then mating the front bracket mount to the chassis. Insert the included 3/8" hardware to secure the front mount to the chassis. See diagram below:



10. Tighten hardware

Fully tighten all of the 3/8" hardware for the front mount and rear shackles bolts.

Lower the floor jack and align the leaf spring center bolt with the rear end mount. Reassemble the u-bolts in the same manner as removal. Tighten each u-bolt nut little at a time to ensure even load on each nut. A heavy duty 1/2" impact gun works well for this application.

Use your floor jack to jack up the rear end so that the rear of the vehicle just lifts off the rear jack stands. This allows the leaf springs to be loaded at normal ride height. You can now fully tighten the 5/8" hardware in the front mount.

Reattach the shocks to the lower mounts and you are finished. Lower the vehicle back onto the ground and enjoy your new leaf springs.