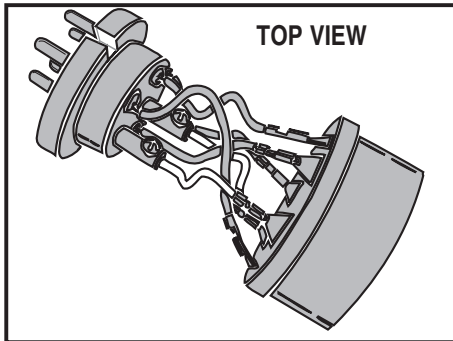
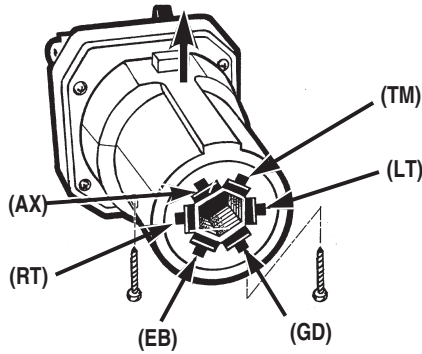
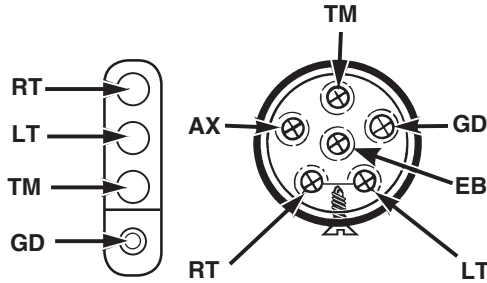


## WIRE IDENTIFICATION

GREEN ..... RIGHT TURN (RT)  
YELLOW ..... LEFT TURN (LT)  
BROWN ..... TAIL / PARK (TM)  
WHITE ..... GROUND (GD)  
BLUE ..... BRAKE (EB)  
BLACK ..... AUXILIARY (AX)

---



To change wiring functions, remove screws and switch blue & black wires.

---

## NOTE:

Locate wires on vehicle by function only. Color coding is not standard with all manufacturers.

**THIS ADAPTER HAS THE CAPABILITY TO CHANGE THE ELECTRIC BRAKE AND BATTERY PIN LOCATIONS ADAPTING TO DIFFERENT CODES.**