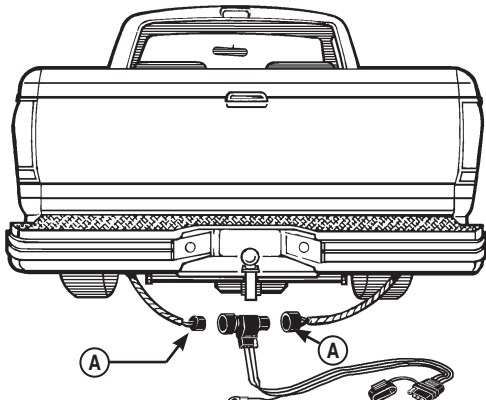


Trailer Hitch Wiring & Electrical



1. Locate vehicle taillight wiring harness behind the rear bumper (A). This harness should have the same connector ends as the wiring kit.
2. Disconnect the vehicle taillight wiring harness being careful not to break the locking tabs.
3. Apply a small amount of grease to all electrical connections to help prevent corrosion.
4. Plug the wiring kit into the male and female harness plugs. Be sure the connectors are fully inserted with locking tabs in place.
5. Grease the terminals on the wire harness.
If your application came with a separate 4-flat extension, plug the extension into the wiring kit.
6. Clean dirt and rust proofing from area and ground the white wire to the vehicle frame with the screw provided.
7. Plug completed wire harness into the trailer connector, and have trailer on ball of vehicle.
8. Check the lighting system for proper operation.
9. Secure excess wire to vehicle with cable tie provided.
10. To ensure correct installation, test all functions with the engine running.

Grease applied to the trailer wiring terminals on a regular basis will help prevent corrosion.

A heavy duty flasher may be required to eliminate rapid flashing.

Always unplug boat trailer connector before backing trailer into the water.