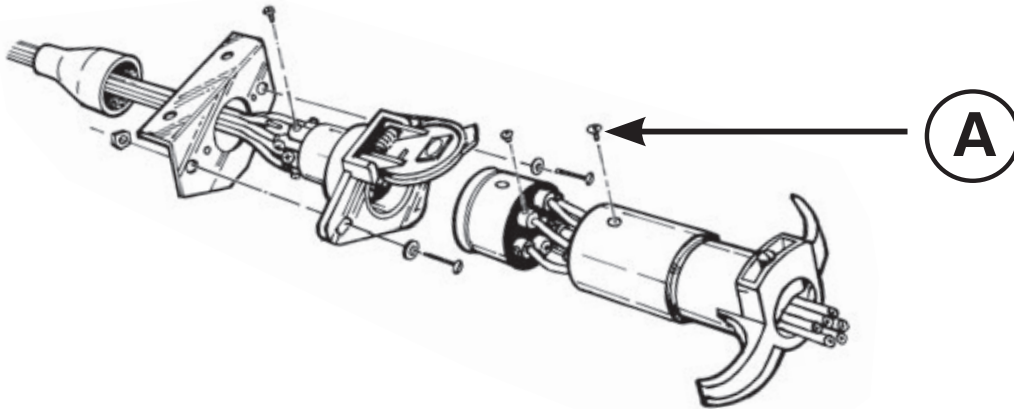


# #52007



1. Strip wires 1/4" and tightly secure them to socket terminals.
2. Strip the wire ends 1/4" and using a splice connector attach them to the corresponding function wires.
3. Mount the completed socket assembly to a bracket.
4. Loosen set screw (A) on the trailer end plug and remove housing. Route trailer wiring through plug housing. Strip wires 1/4" and tightly secure them to plug terminals. Reassemble plug / housing and tighten set screw. Leave 18" of slack between tow vehicle and trailer to allow trailer to turn. Cut off excess wires.
5. Plug trailer into vehicle and test all functions.

White wire.....Ground (GD)

Brown wire .....Tail (TM)

Yellow wire.....Left turn (LT)

Green wire .....Right turn (RT)

Blue wire.....Electric brake (S)

Red wire.....Auxiliary (A)