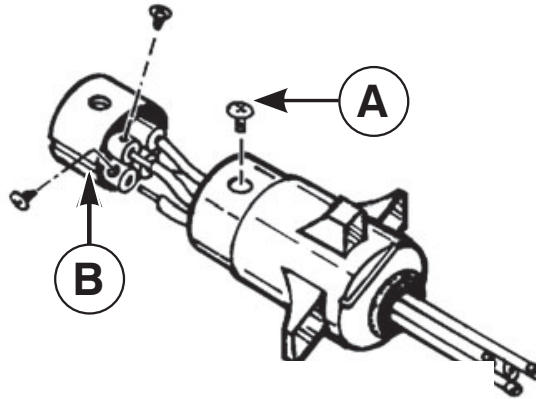


#52006



1. Loosen the set screw
(A) on the vehicle end socket and remove the socket from housing. Route wiring through socket housing. Strip wires 1/4" and tightly secure them to socket terminals. Align socket keyway with housing key
(B) and insert socket into housing. Tighten set screw.
2. Plug trailer in to vehicle and test all functions.

LOCATE WIRES BY FUNCTION ONLY

White wire..... Attach to good ground

Yellow wire.... Attach to left turn

Green wire Attach to right turn

Brown wire ... Attach to the taillight